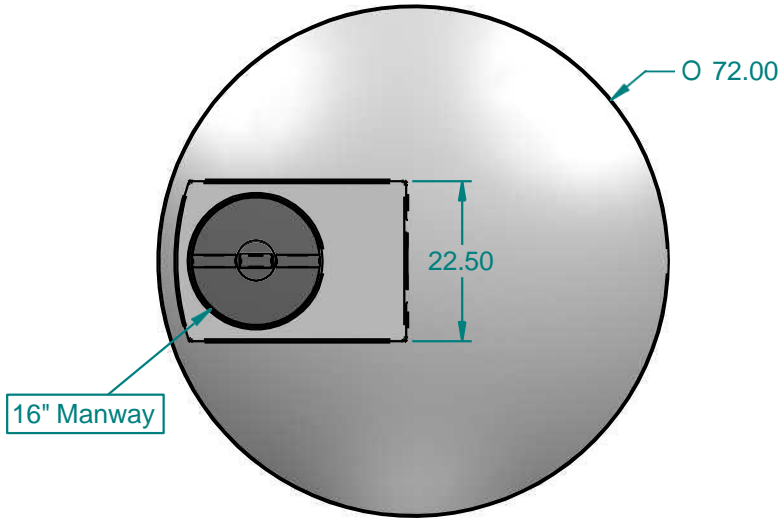
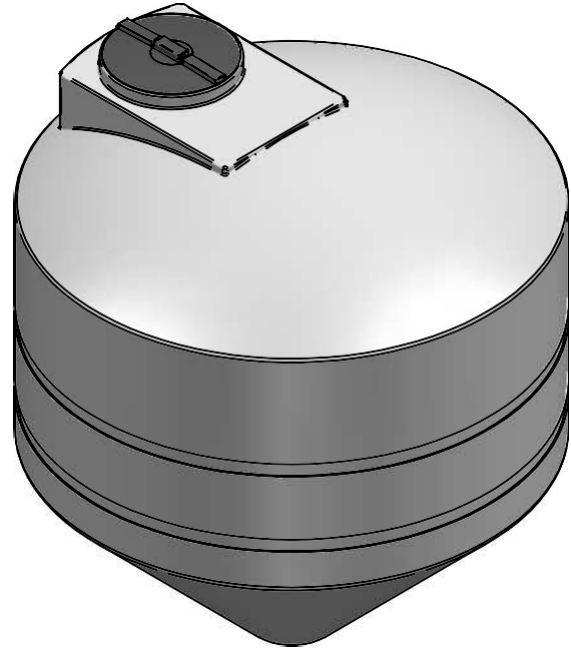


REVISION HISTORY			
REV	DESCRIPTION	DATE	APPROVED

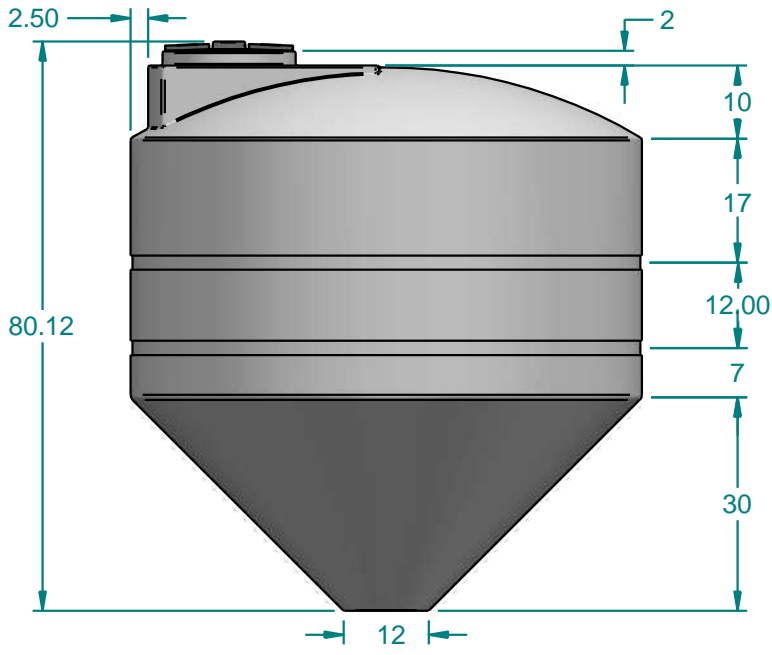


16" Manway

Top View



ISO View



Side View

wall thickness: .220"

	NAME	DATE
DRAWN	mputt	5/8/2006
CHECKED		
ENG APPR		
MGR APPR		

DURACAST
 16160 Hwy 27 Lake Wales, FL 33859

TITLE 900 Gallon Cone Tank 1.2 SPG

SIZE A **MATERIAL** hdpe natural **REV**

FILE NAME: C900 Tank.dft

PART#: 930900 **WEIGHT:** 140.290 lbm **SHEET 1 OF 1**

UNLESS OTHERWISE SPECIFIED
 DIMENSIONS ARE IN INCHES
 ANGLES ±0.5°
 2 PL ±0.125" 3 PL ±0.060"