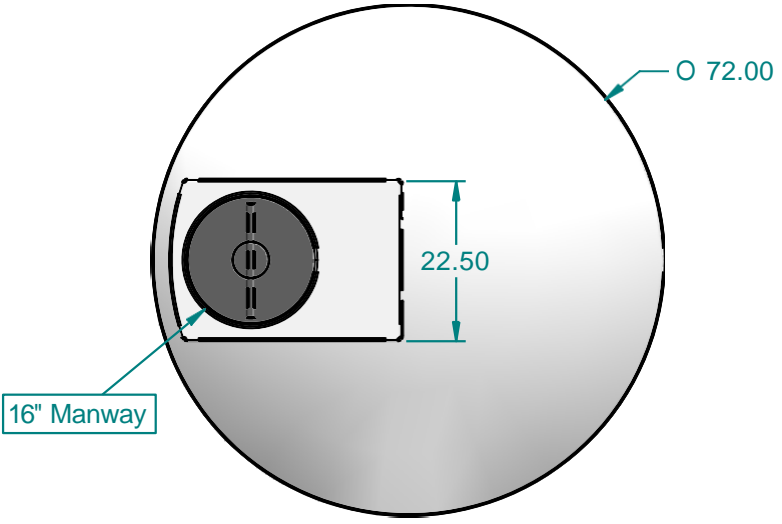
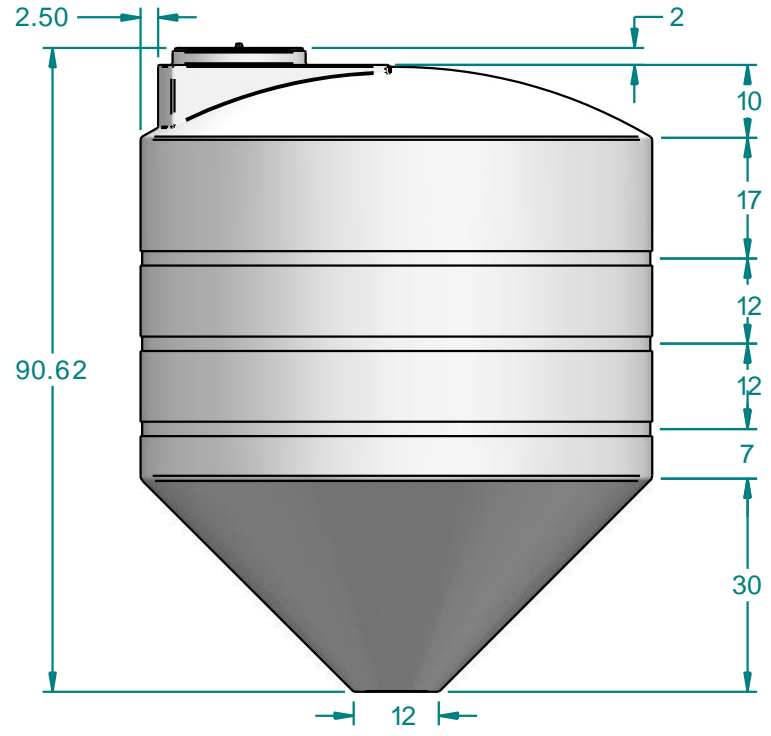


REVISION HISTORY			
REV	DESCRIPTION	DATE	APPROVED

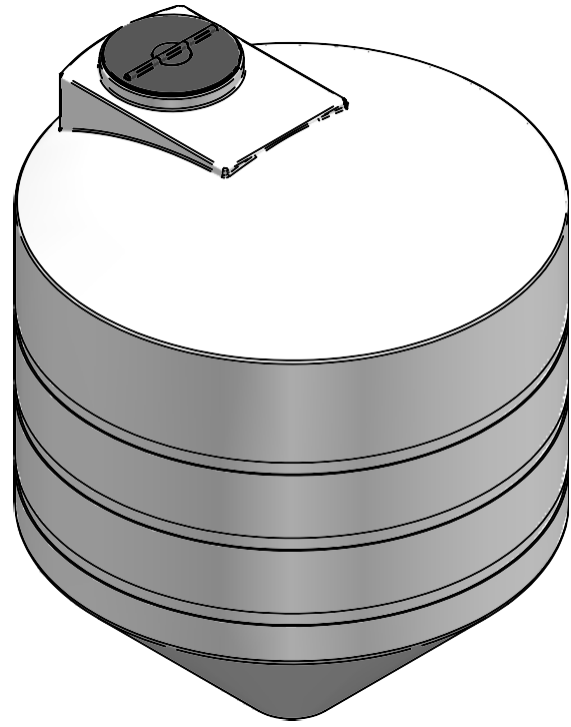


Top View



Side View

wall thickness:



ISO View

	NAME	DATE
DRAWN	mputt	12/10/2004
CHECKED		
ENG APPR		
MGR APPR		

**DURACAST**  
16160 Hwy 27 Lake Wales, FL 33859

**TITLE** 1100 Gallon Cone Tank 1.2 SPG

<b>SIZE</b> A	<b>MATERIAL</b> hdpe natural	<b>REV</b> .250"
------------------	------------------------------	---------------------

**FILE NAME:** C1100Tank.dft

<b>PART#</b> 931100	<b>WEIGHT:</b> 197.071 lbm	<b>SHEET</b> 1 OF 1
---------------------	----------------------------	---------------------

UNLESS OTHERWISE SPECIFIED  
DIMENSIONS ARE IN INCHES  
ANGLES ± 0.5°  
2 PL ± 0.125" 3 PL ± 0.060"