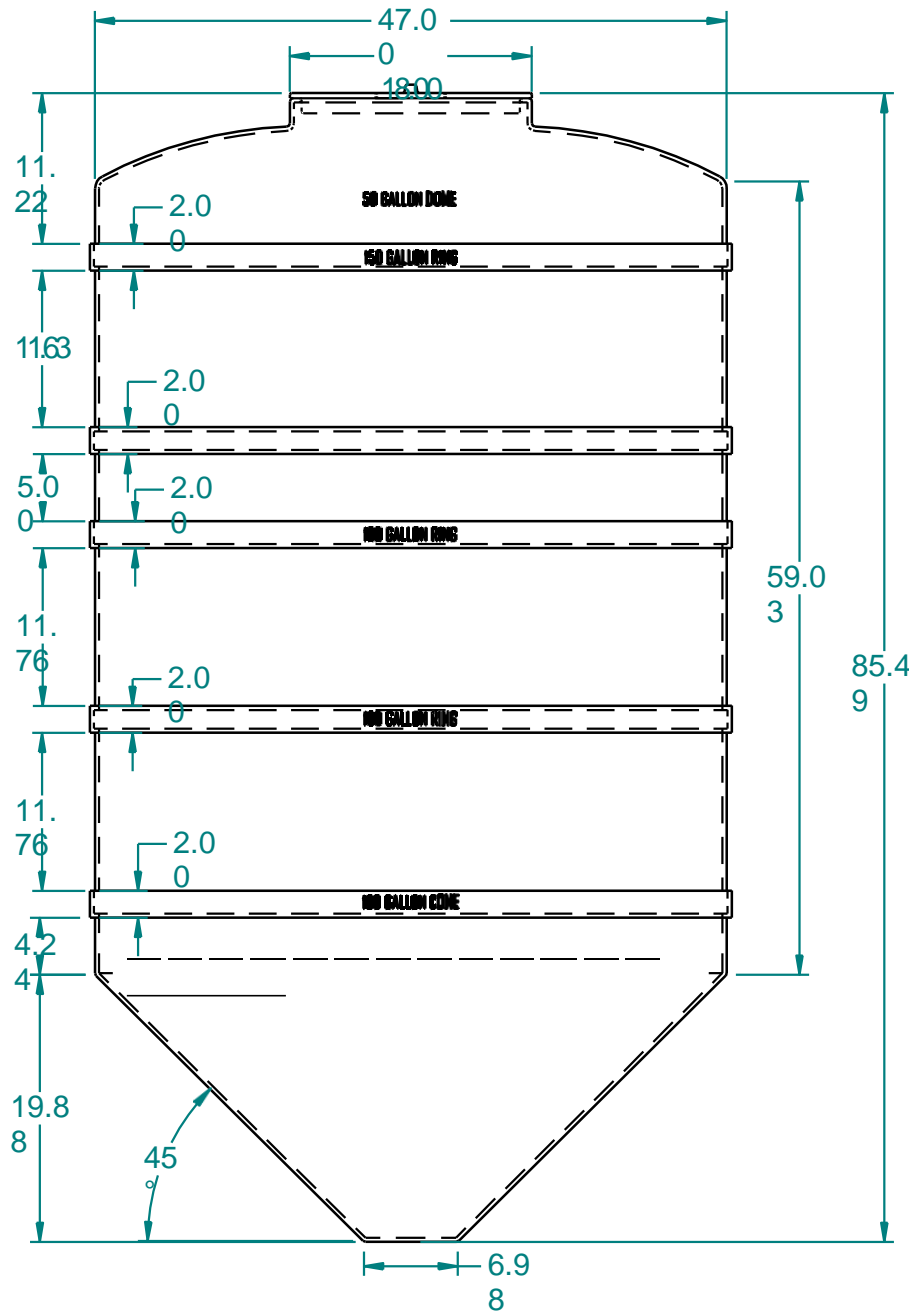


REVISION HISTORY

RE	DESCRIPTION	DAT	APPROVED
V	approved for production	E 10/1/2003	

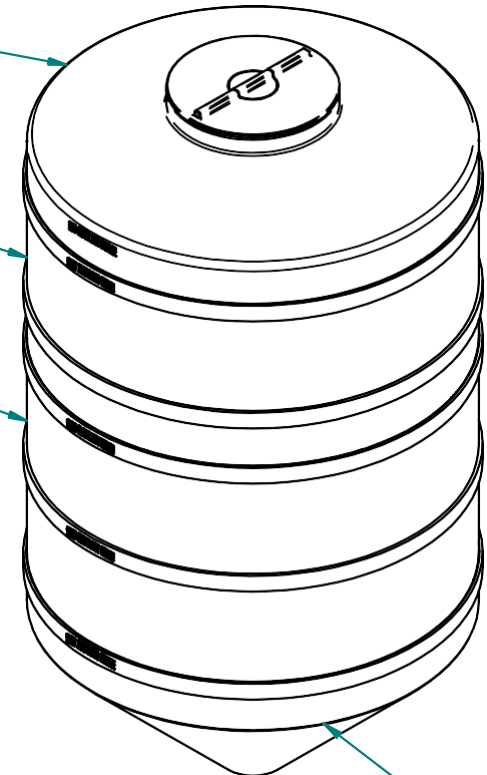


"A" Tank Head

"C" 150 Gallon Ring

"D" 200 Gallon Ring

"E" 100 Gallon Cone Body



Tank Mold Assembly Requires "A" Tank Head, "C" 150 Gallon Ring, "D" 200 Gallon Ring, and "E" Tank Cone Sections.

**DURACAST**  
 16160 Hwy 27 Lake Wales, FL 33859

TITL **500 Gallon Cone Tank**

E MATERIAL: LMPENatural RE  
 SIZE V

FILENAME: 500GalCone.dft

PART#: 930501HD WEIGHT: SHEET 1 OF 1

	NA	DATE
DRAWN	ME	11/7/2005
CHECKED	Michael	05
ENG APPR		
MGR APPR		

UNLESS OTHERWISE SPECIFIED  
 DIMENSIONS ARE IN INCHES  
 ANGLES ±0.5°  
 2 PL ±0.125" 3 PL ±0.060"