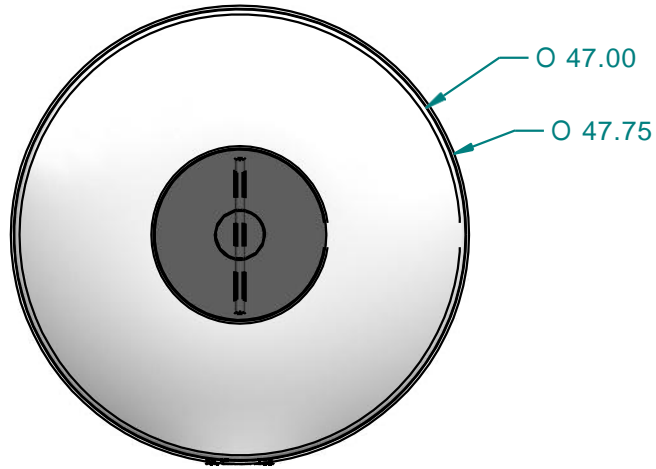
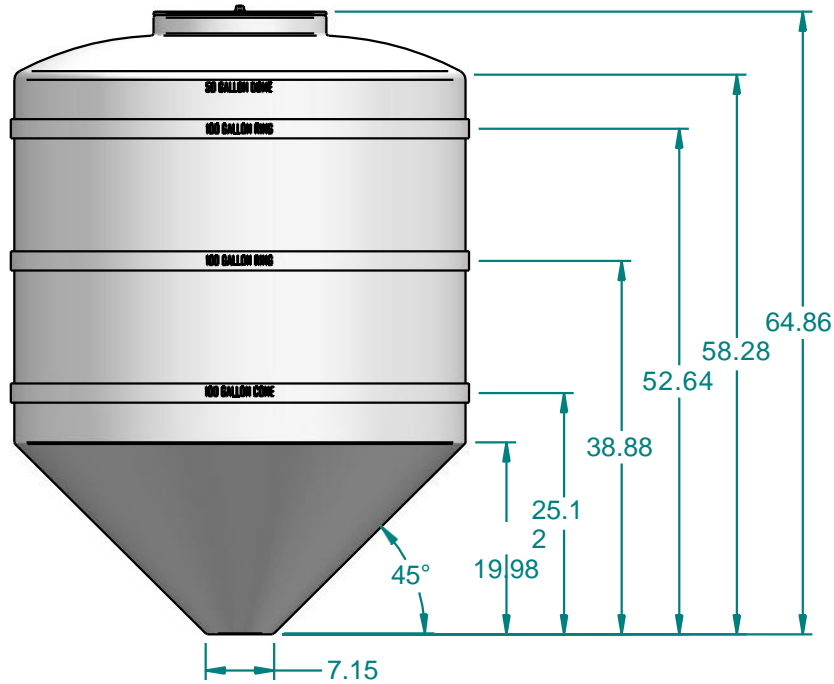


REVISION HISTORY

RE	DESCRIPTION	DAT	APPROVED
V		E	



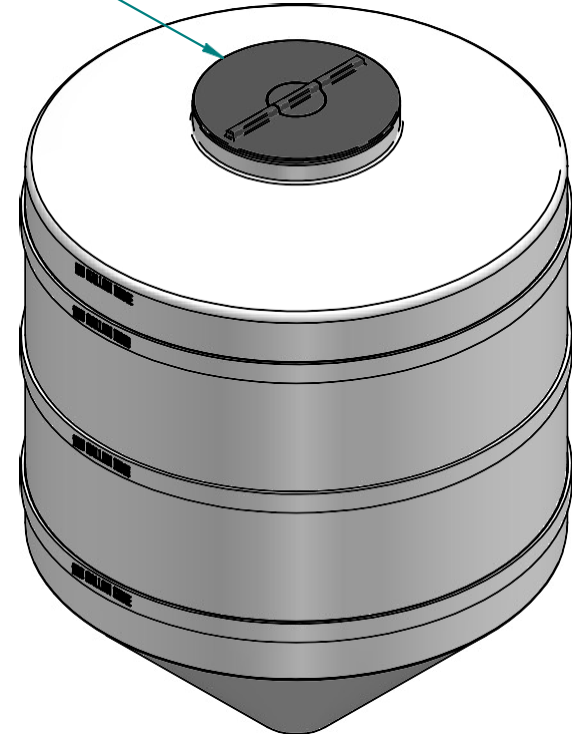
Top View
W



Side View

wall thickness: .320"

16" manway



IS View
O w

Tank Capacity: 350 Gallons

	NA	DATE
DRAWN	ME	9/22/2003
CHECKED	mputt	
ENG APPR		
MGR APPR		



16160 Hwy 27 Lake Wales, FL 33859

TITLE 350 Gallon 47" Cone Tank

E SIZE MATERIAL: hdpe natural 1.9 spg RE V

FILE NAME: 350GalCone Tank.dft

PART#: 930351 WEIGHT: 107.328 lbr SHEET 1 OF 1

UNLESS OTHERWISE SPECIFIED
DIMENSIONS ARE IN INCHES
ANGLES ± 0.5°
2 PL ± 0.125" 3 PL ± 0.060"