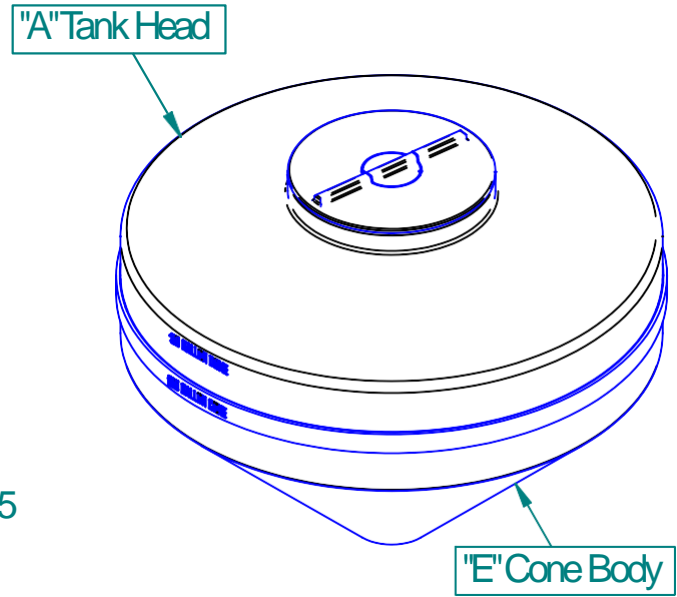
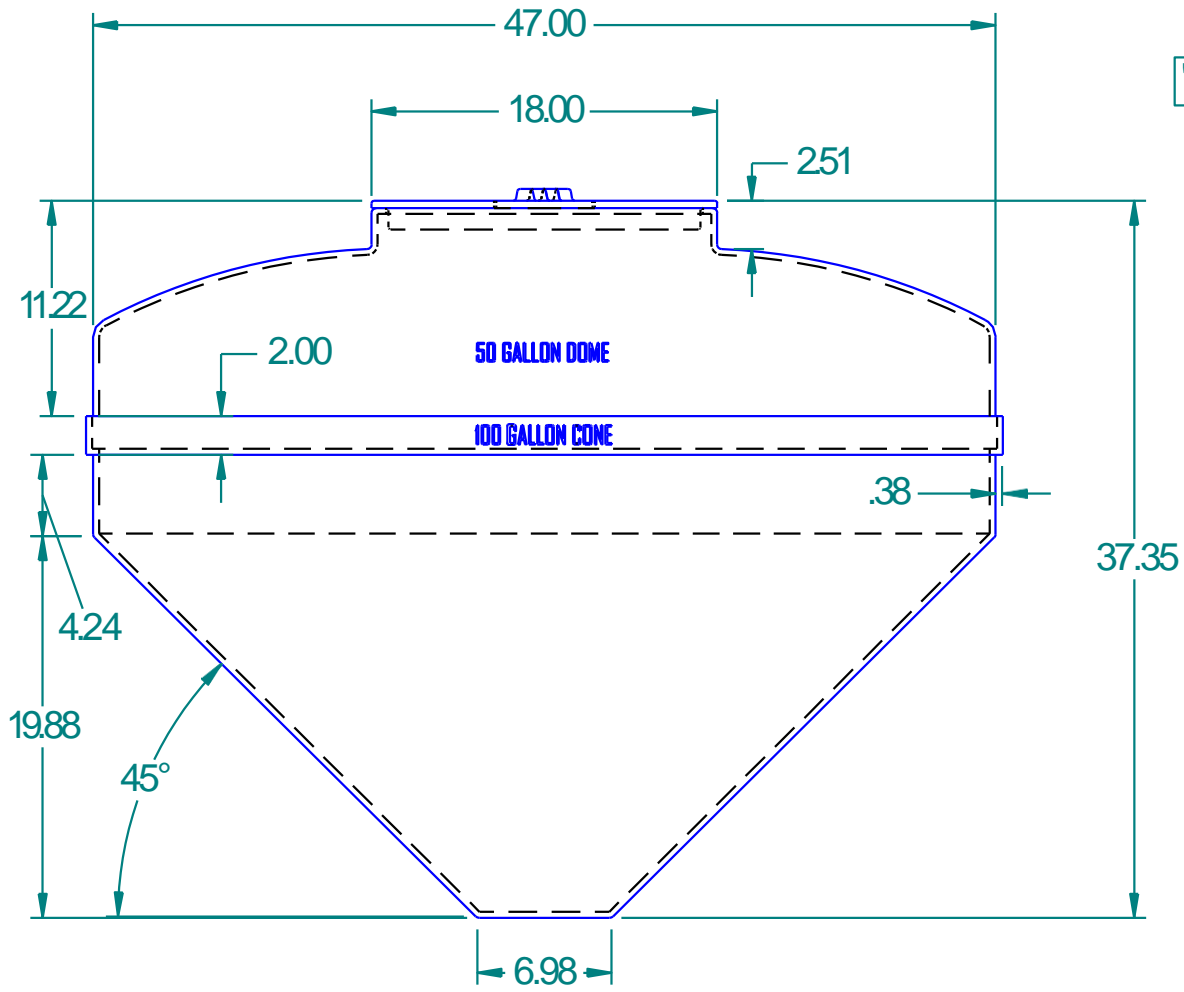


REVISION HISTORY			
REV	DESCRIPTION	DATE	APPROVED
	approved for production	10/1/2003	



ISOView

Tank Mold Assembly Requires "A" Tank Head and "E" Tank Cone Sections.

	NAME	DATE
DRAWN	Michael1	8/29/2003
CHECKED		
ENG APPR		
MGR APPR		

**DURACAST**  
 16160 Hwy 27 Lake Wales, FL 33859

**TITLE** 150 Gallon Cone Tank

**SIZE** A **MATERIAL** LMDPENatural **REV**

**FILENAME** 150ConeTankAssy.dft

**PART#** 230150HD **WEIGHT** 57.973lbm **SHEET** 1OF1

UNLESS OTHERWISE SPECIFIED  
 DIMENSIONS ARE IN INCHES  
 ANGLES ±0.5°  
 2 PL ±0.125" 3 PL ±0.060"