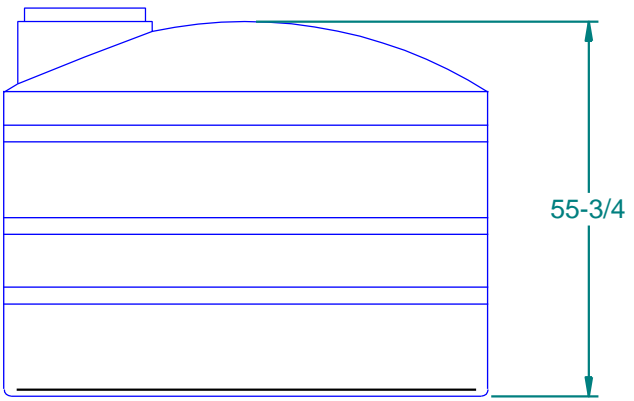
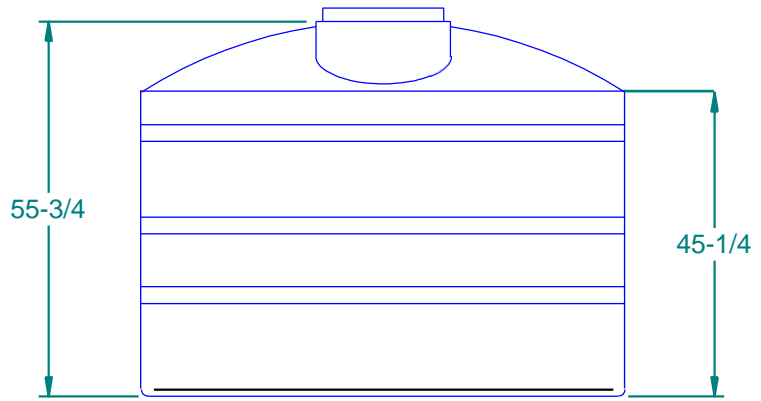
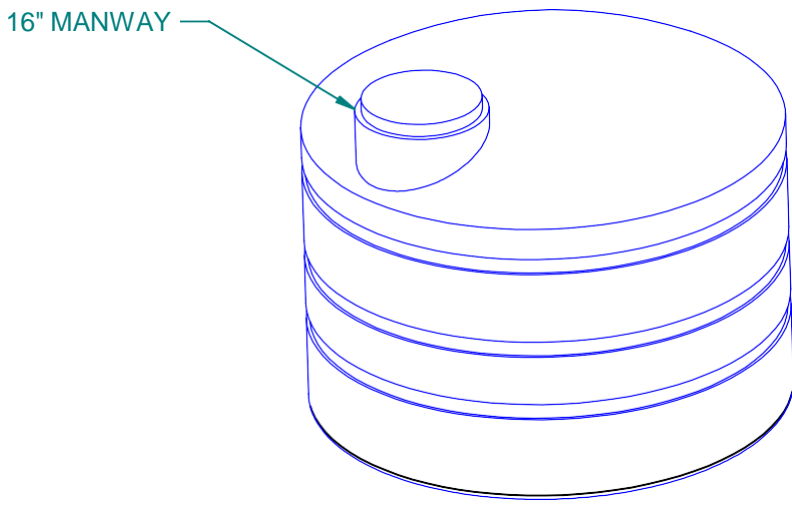
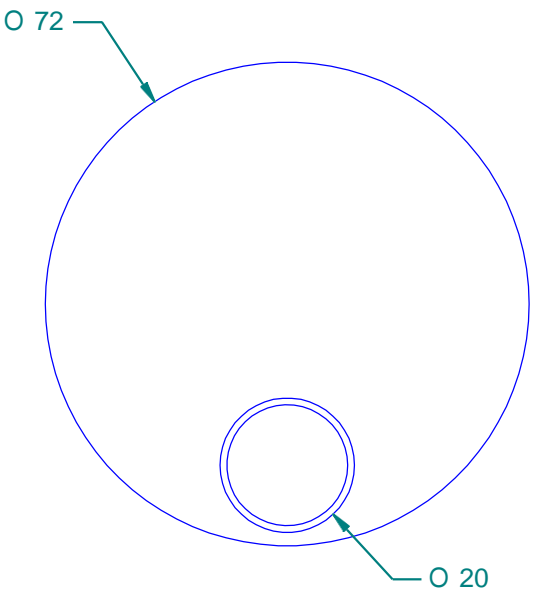



**REVISION HISTORY**

REV	DESCRIPTION	DATE	APPROVED	Revised By
A	Initial Design Release	5/8/2006		



Weight: NA		NAME	DATE	 16160 Hwy 27 Lake Wales, FL 33859 Customer: Dura-Cast Products, Inc. Part Title: E-900 Gallon Vertical Tank File Name: V900 (910900).dft
Wall Thickness: NA	DRAWN By: mnegron		5/8/2006	
Customer Part No: NA	Customer APPR			
Print Date: 9/18/2007	MFG APPR			
Comments:	Tolerance: UNLESS OTHERWISE SPECIFIED DIMENSIONS ARE IN INCHES ±1% Std Radii 3/16"			Size: A Material: Polyethylene, LMDPE8460 Part No: 910900 Do Not Scale Sheet: 10F1