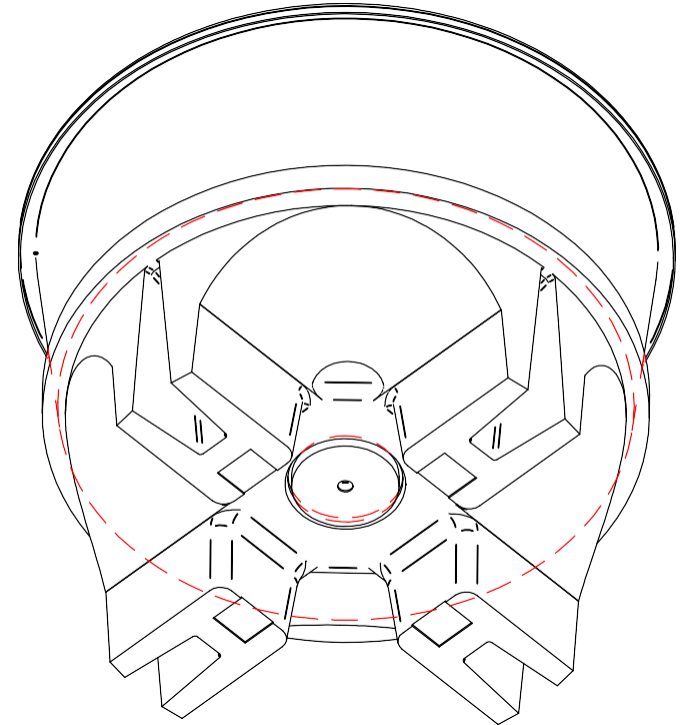
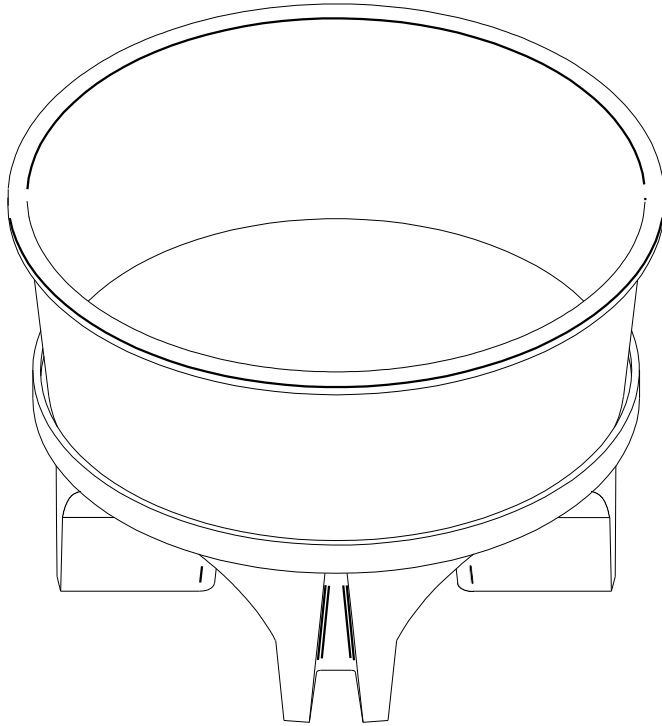

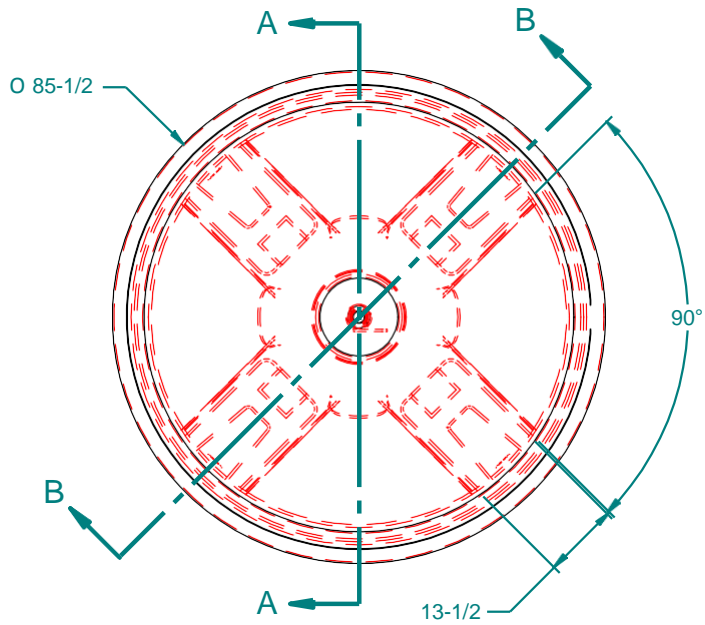


REVISION HISTORY

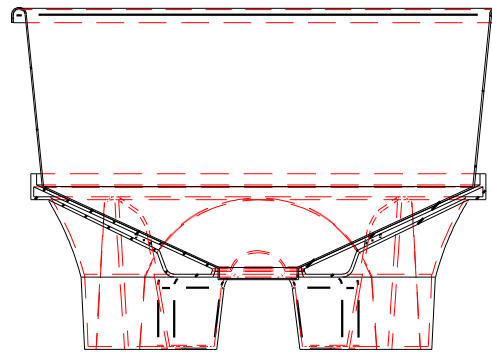
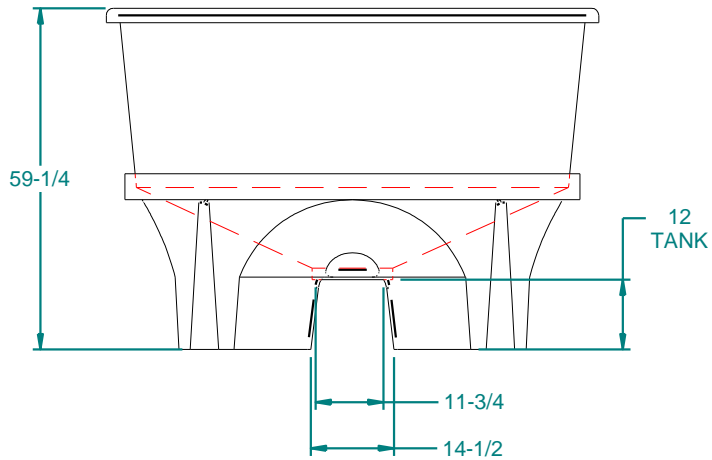
REV	DESCRIPTION	DATE	APPROVED	Revised By
11	RENAMED FOR CAPACITY	02/09/15		



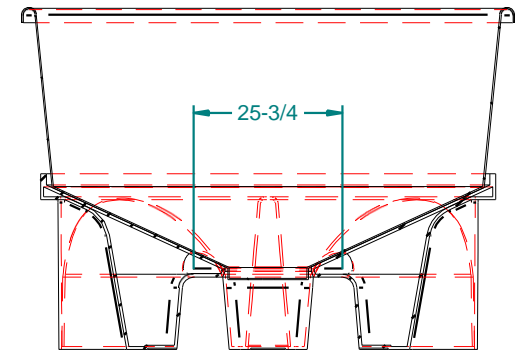
Weight:		NAME	DATE	 16160 Hwy 27 Lake Wales, FL 33859
Wall Thickness:	Drawn By: mnegron		2/9/2015	
Customer Part No: NA	Customer: APPR			Customer: Dura-Cast Products, Inc.
Print Date: 2/9/2015	Copyright © 2014 Dura-Cast Products, Inc.			Part Title: 700 Gallon Cone Bottom Open Top Tank
Comments: - UNLESS OTHERWISE SPECIFIED DIMENSIONS ARE IN INCHES - Std Radii 3/16"	UNLESS OTHERWISE SPECIFIED TOLERANCES ARE DIMS > 10" ±1% DIMS < 10" ±0.100 WALL THICKNESS ±20% FLATNESS ±.030 in/in			File Name: 700 Gallon Cone Bottom Open Top Tank 06 - ASSY.dlt
	Size A	Material: LLDPE		Rev: 11
	Part No:	Do Not Scale	Sheet:	10F4




REVISION HISTORY				
REV	DESCRIPTION	DATE	APPROVED	Revised By
11	REMOVED FOR CAPACITY	02/09/15		



SECTION A-A

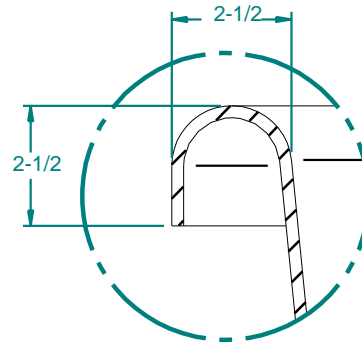
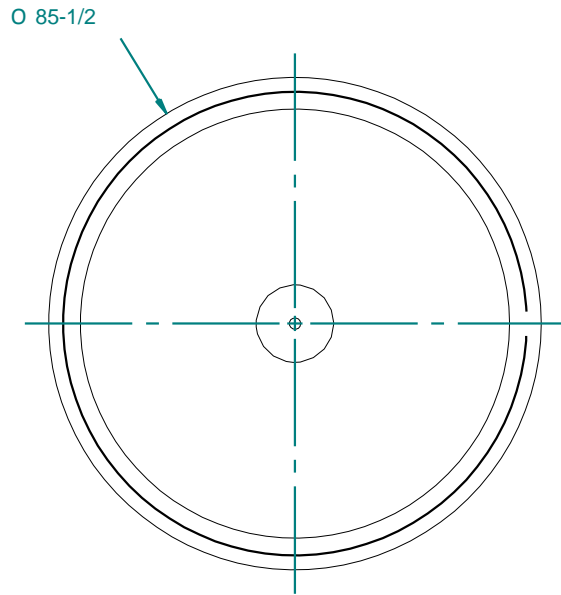


SECTION B-B

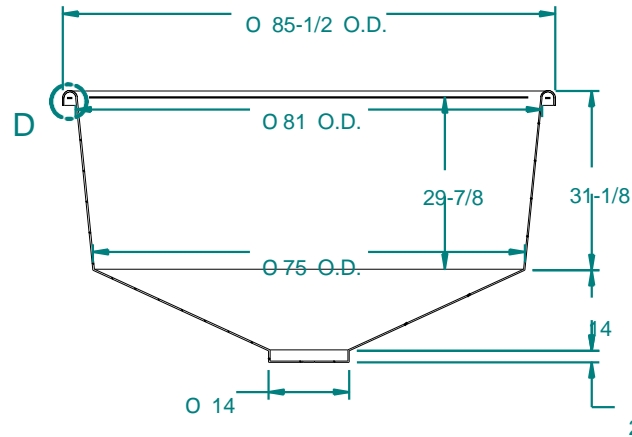
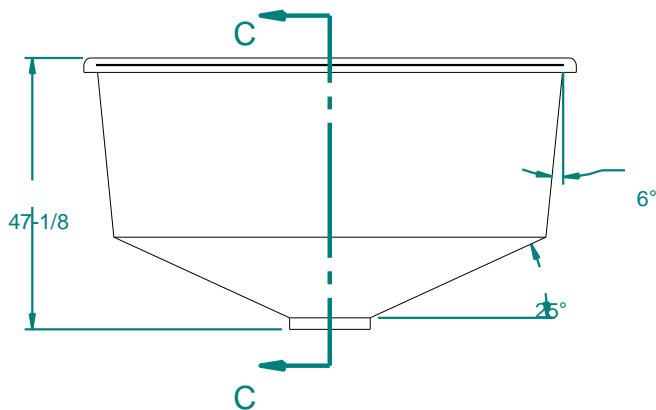
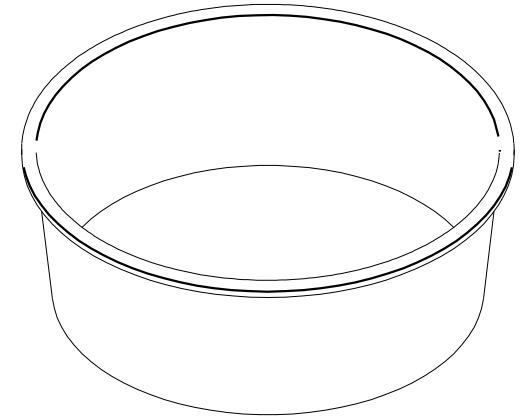
Weight: 430 lbm	NAME	DATE	 16160 Hwy 27 Lake Wales, FL 33859	
Wall Thickness:	Drawn By: mnegron	2/9/2015		
Customer Part No: NA	Customer APPR		Customer: Dura-Cast Products, Inc.	
Print Date: 2/9/2015	Copyright © 2014 Dura-Cast Products, Inc.		Part Title: 700 Gallon Cone Bottom Open Top Tank	
Comments: - UNLESS OTHERWISE SPECIFIED DIMENSIONS ARE IN INCHES - Std Radii 3/16"	UNLESS OTHERWISE SPECIFIED TOLERANCES ARE DIMS > 10" ±1% DIMS < 10" ±0.100 WALL THICKNESS ±20% FLATNESS ± .030 in/in		File Name: 700 Gallon Cone Bottom Open Top Tank 06 - ASSY.dft	Rev: 11
			Size: A	Material: LLDPE

REVISION HISTORY

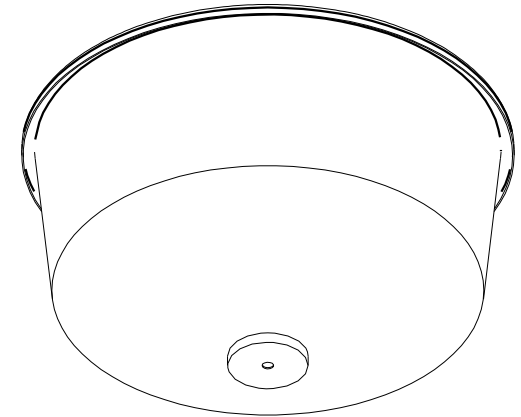
REV	DESCRIPTION	DATE	APPROVED	Revised By
11	RENAMED FOR CAPACITY	02/09/15		




DETAIL D



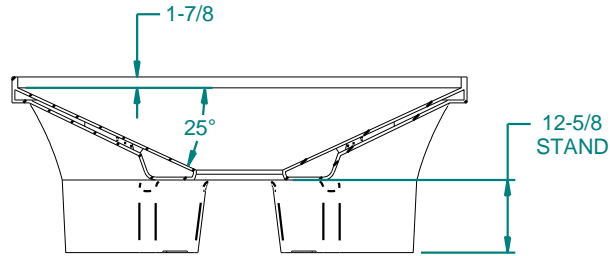
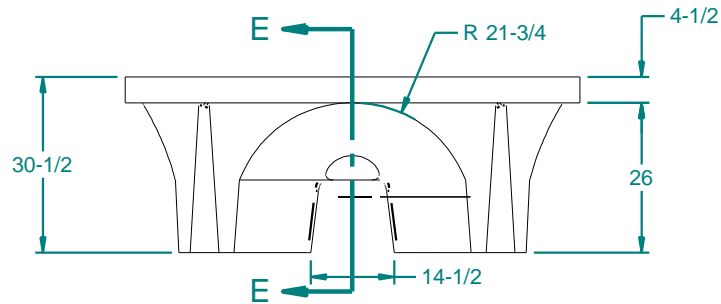
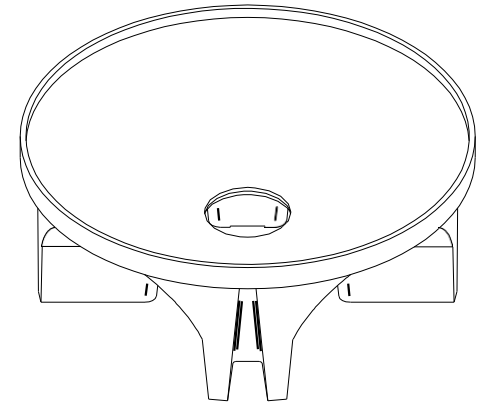
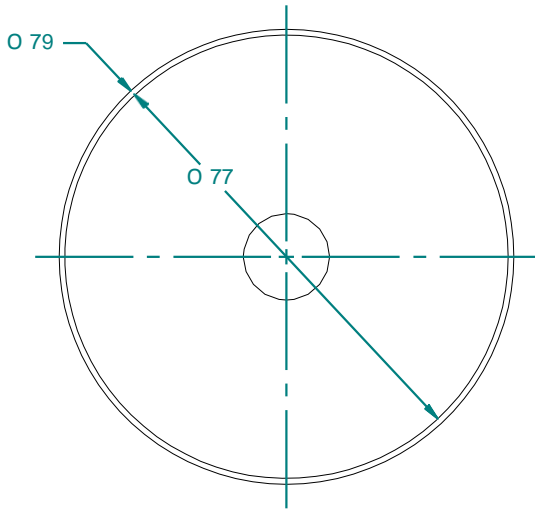
SECTION C-C



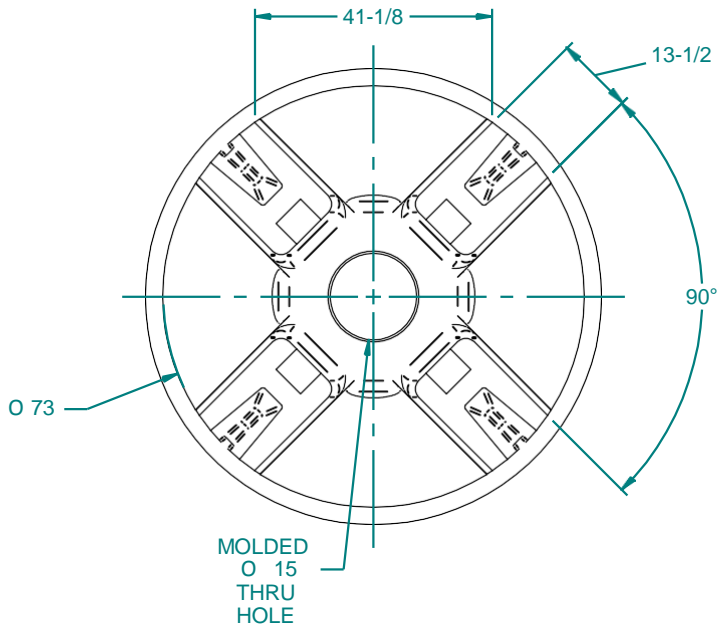
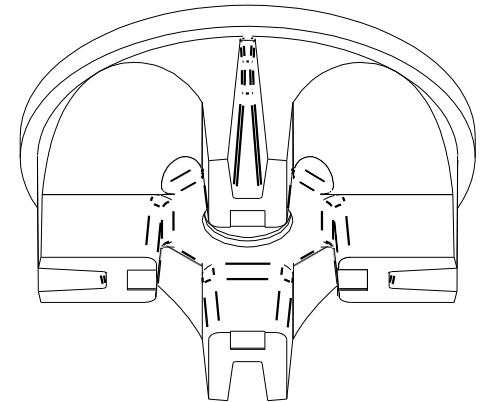
Weight: 130lbm	NAME	DATE	 16160 Hwy 27 Lake Wales, FL 33859		
Wall Thickness: 0.250 in	Drawn By: mnegron	2/9/2015			
Customer Part No: NA	Customer: AFPR		Customer: Dura-Cast Products, Inc.		
Print Date: 2/9/2015	Copyright © 2014 Dura-Cast Products, Inc.		Part Title: 700 Gallon Cone Bottom Open Top Tank		
Comments: - UNLESS OTHERWISE SPECIFIED DIMENSIONS ARE IN INCHES - Std Radii 3/16"	UNLESS OTHERWISE SPECIFIED TOLERANCES ARE: DIMS > 10" ±1% DIMS < 10" ±0.100 WALL THICKNESS ±20% FLATNESS ±.030 in/in		File Name: 700 Gallon Cone Bottom Open Top Tank 06 - ASSY.dft		
			Size A	Material: LLDPE	Rev. 11
			Part No: 940650-A0100XX1	Do Not Scale	Sheet 3 OF 4

REVISION HISTORY

REV	DESCRIPTION	DATE	APPROVED	Revised By
11	REMOVED FOR CAPACITY	02/09/15		



SECTION E-E



Weight: 300 lbm	NAME	DATE	<p>16160 Hwy 27 Lake Wales, FL 33859</p>		
Wall Thickness: 0.500 in	Drawn By: mnegron	2/9/2015			
Customer Part No: NA	Customer APPR		Customer: Dura-Cast Products, Inc.		
Print Date: 2/9/2015	Copyright © 2014 Dura-Cast Products, Inc.		Part Title: 700 Gallon Cone Bottom Open Top Tank		
Comments: - UNLESS OTHERWISE SPECIFIED DIMENSIONS ARE IN INCHES - Std Radii 3/16"	UNLESS OTHERWISE SPECIFIED TOLERANCES ARE: DIMS > 10" ±1% DIMS < 10" ±0.100 WALL THICKNESS ±20% FLATNESS ±.030 in/in		File Name: 700 Gallon Cone Bottom Open Top Tank 06 - ASSY.dft		
			Size: A	Material: LLDPE	Rev: 11
			Part No: 940010-A0101XX1	Do Not Scale	Sheet: 4 OF 4