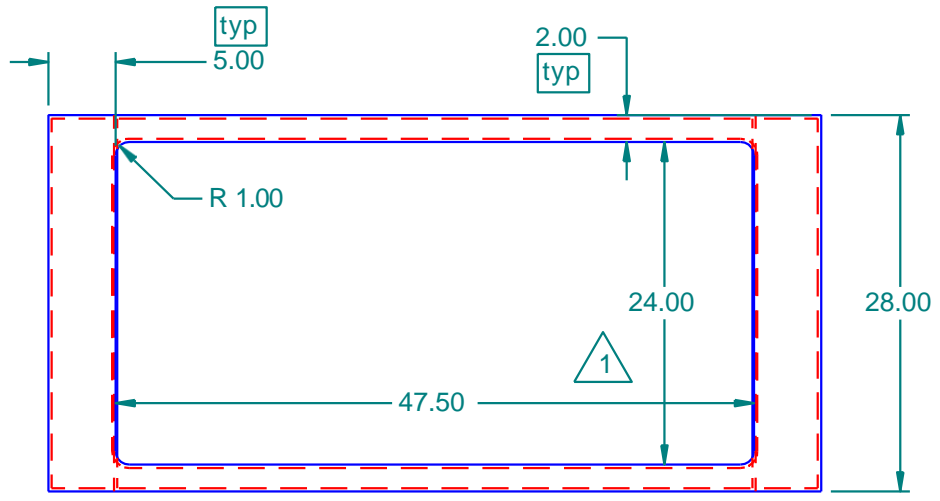
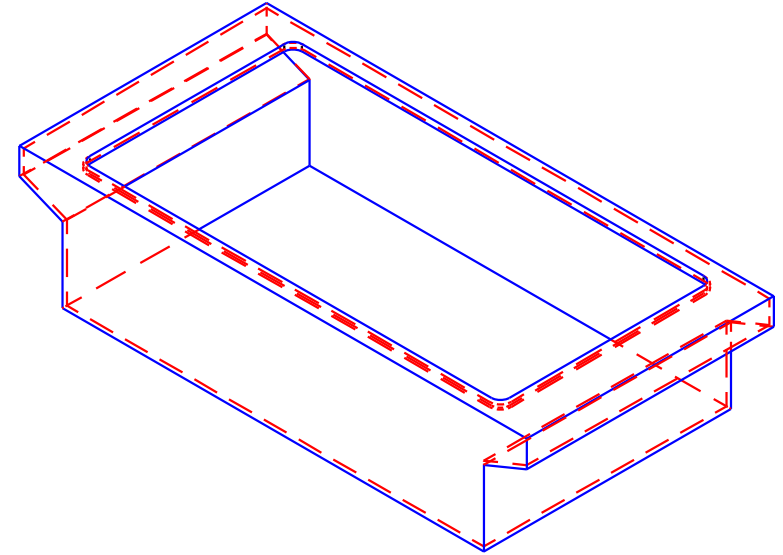


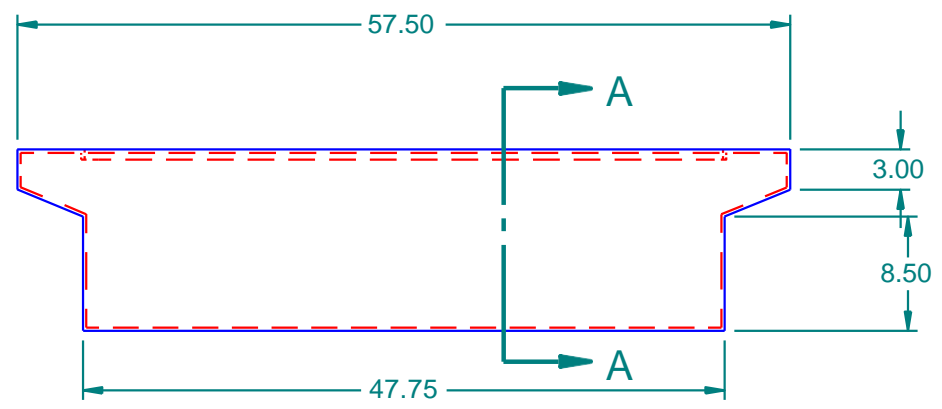
REVISION HISTORY			
RE	DESCRIPTION	DATE	APPROVED
V 1	cutout recess added to mold, supply with cutout opening	6/17/2004	



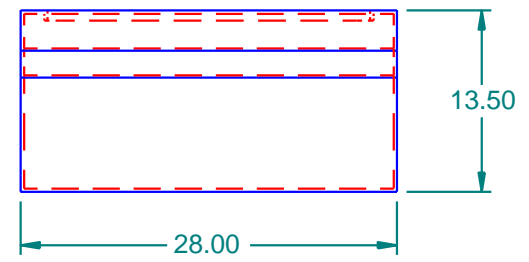
Top View



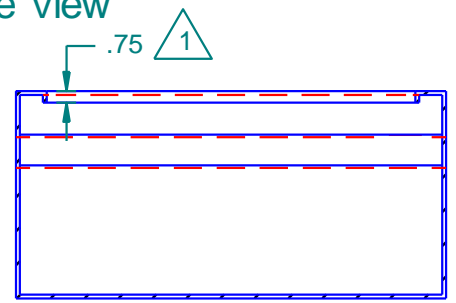
ISO View




Side View



End View



SECTION A-A

Tank Capacity: 95 Gallons			 16160 Hwy 27 Lake Wales, FL 33859		
DRAWN	NAME: Michael1	DATE: 6/17/2004			
CHECKED			TITL: 95 Gallon Sump		
ENG APPR			E SIZE	MATERIAL: LMDPE (100)	RE V
MGR APPR			FILE NAME: 501163.dft		
UNLESS OTHERWISE SPECIFIED DIMENSIONS ARE IN INCHES ANGLES ±0.5° 2 PL ±0.125" 3 PL ±0.060"			PART#: 501163	WEIGHT: Error: No	REV: 1 OF 1