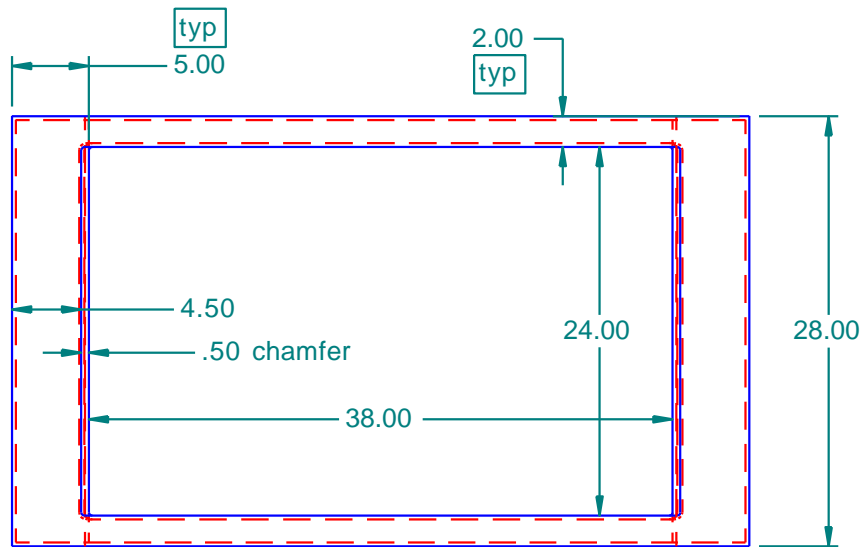
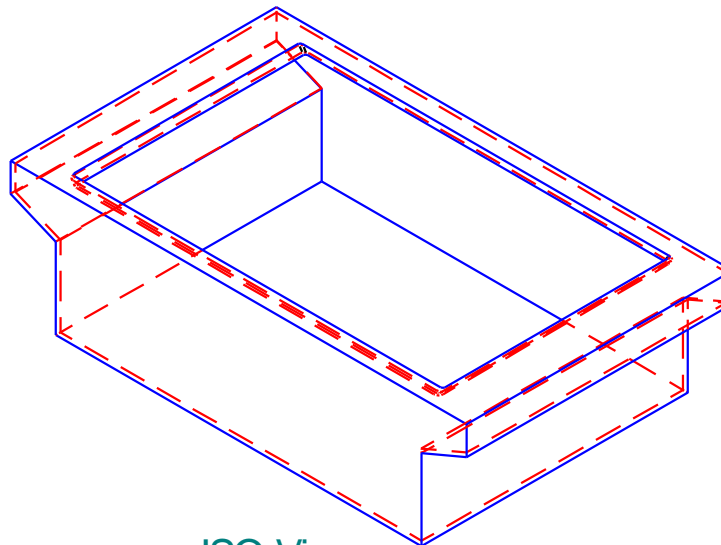


REVISION HISTORY

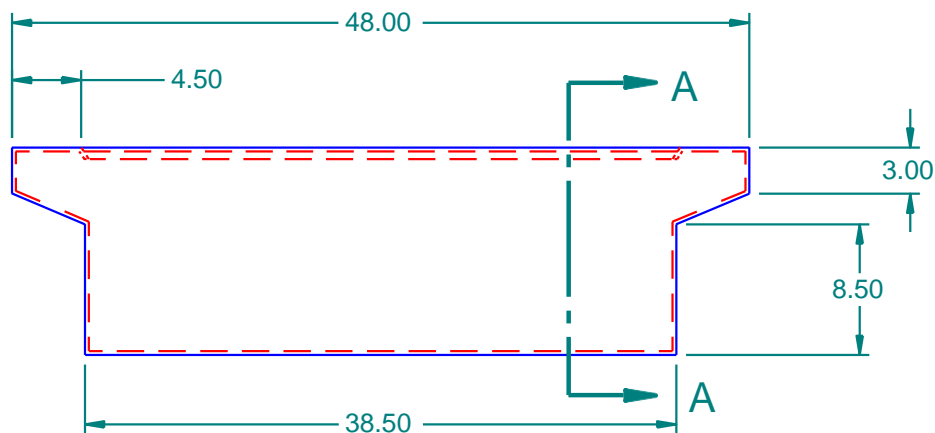
RE	DESCRIPTION	DAT	APPROVED
V 2	ADD CHAMFER TO TOP RECESSED AREA	09/14/05	



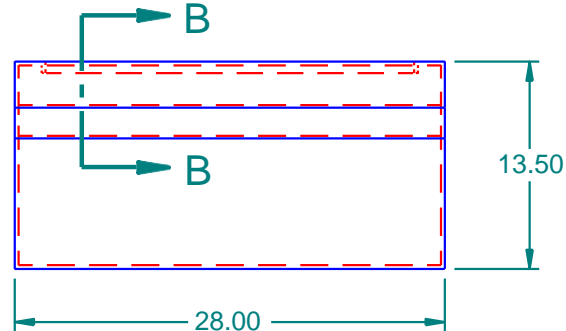
Top View



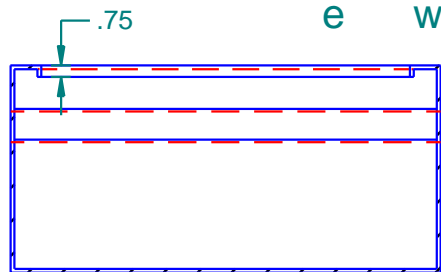
ISO View



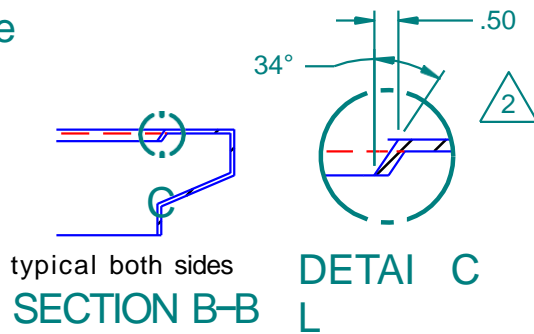
Side View



End View



SECTION A-A



DETAIL C

SECTION B-B
typical both sides

Tank Capacity: 80 Gallons			
DRAWN	NAME: Michael1	DATE: 6/17/2004	16160 Hwy 27 Lake Wales, FL 33859
CHECKED			TITLE: 80 Gallon Sump
ENG APPR			E SIZE: MATERIAL: LMDPE (100)
MGR APPR			RE V
UNLESS OTHERWISE SPECIFIED DIMENSIONS ARE IN INCHES ANGLES ±0.5° 2 PL ±0.125" 3 PL ±0.060"		FILE NAME: 501162.dft	
PART#: 501162	WEIGHT: 29.905 lbm	SHEET 1 OF 1	