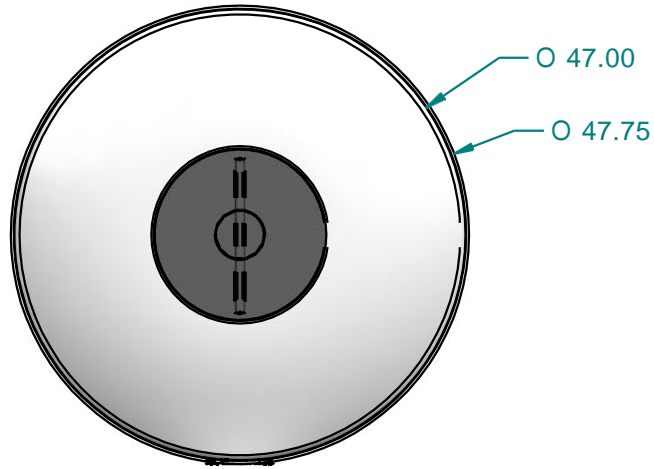
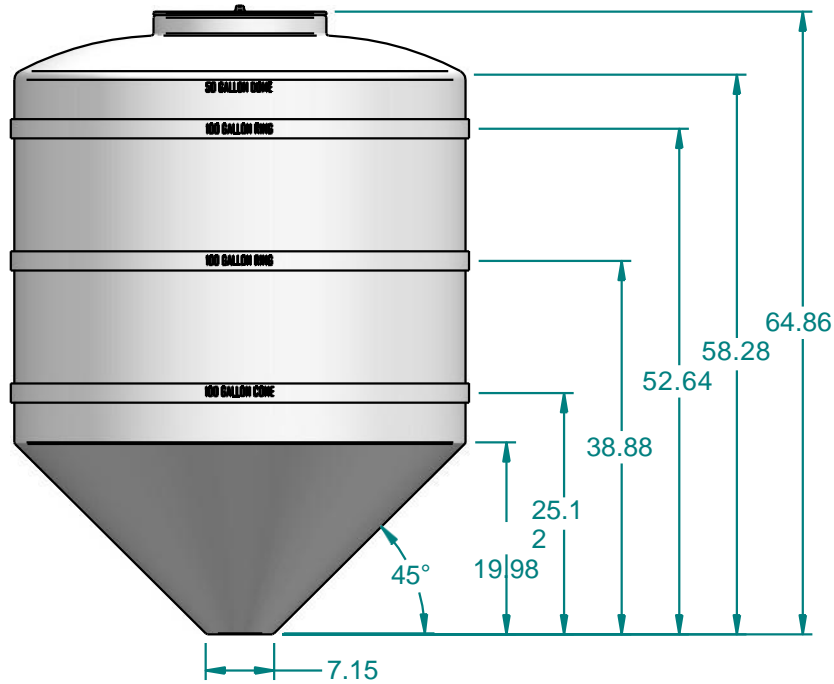


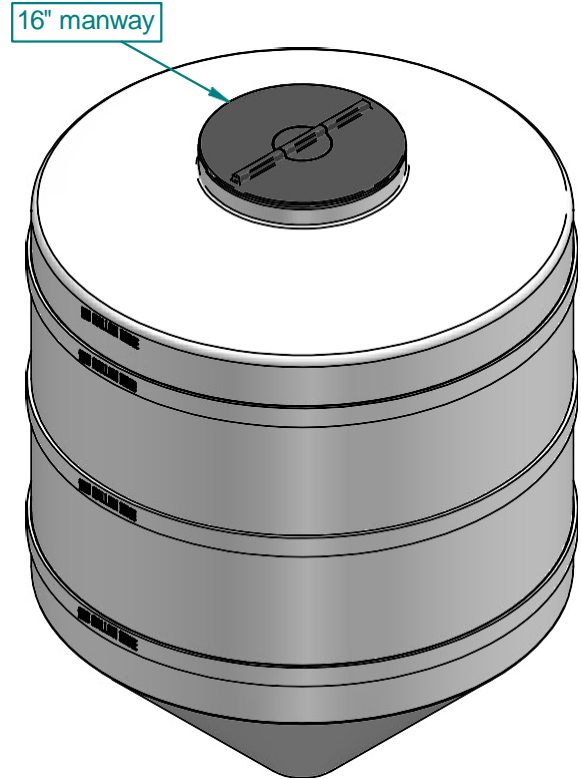
REVISION HISTORY			
RE	DESCRIPTION	DATE	APPROVED
V		E	



Top View
w



Side View



IS View
O w

wall thickness: .320"

Tank Capacity: 350 Gallons			DURACAST	
DRAWN	NA	DATE	16160 Hwy 27 Lake Wales, FL 33859	
CHECKED	ME	9/22/2003	TITL 350 Gallon 47" Cone Tank	
ENG APPR	mputt		E	MATERIAL: hdpe natural 1.9 spg
MGR APPR			SIZE	RE V
UNLESS OTHERWISE SPECIFIED DIMENSIONS ARE IN INCHES ANGLES ±0.5° 2 PL ±0.125" 3 PL ±0.060"			FILE NAME: 350GalCone Tank.dft	
PART#: 930351		WEIGHT: 107.328 lbm		SHEET 1 OF 1