

Tank plastic resin is fully FDA compliant based upon manufacturer's specifications

Tank resins are fully UV stabilized

Tanks meet ABYC and USCG requirements for marine water and holding tank applications

Tanks are not rated for gasoline or aromatic solvents

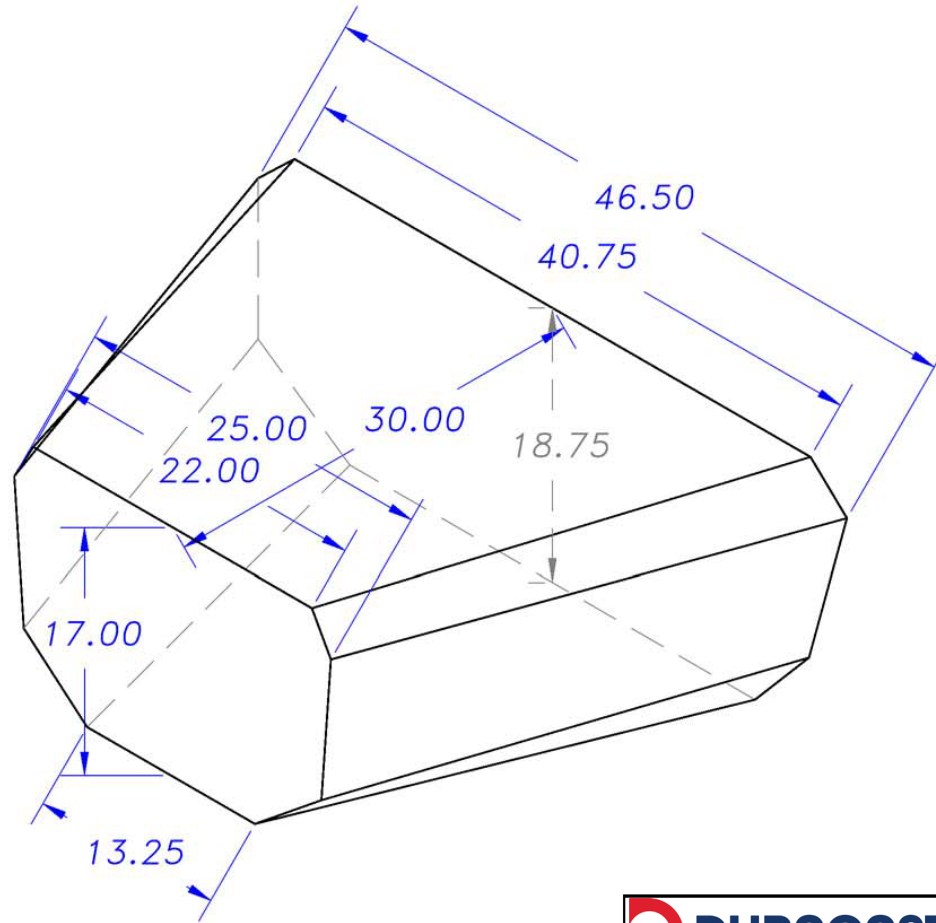
Allow +/- 1% on tank dimensions for overall size variances

Most size tanks are available in standard wall thickness shown or Heavy Duty

Tanks are designed to be used in a horizontal position. Rectangular tanks used in vertical position may require additional wall thickness or external support

Vent hole on tank will be closed if not used for fitting location

REVISION HISTORY			
REV	DESCRIPTION	DATE	APPROVED



Wall Thickness: 0.280

Tank Capacity: 75 Gallons		
	NAME	DATE
DRAWN	MPUTT	9/01/2004
CHECKED		
ENG APPR		
MGR APPR		

DURACAST

16160 Hwy 27 Lake Wales, FL 33859
 800.683.4116 863.638.3200 F863.638.2443
 DuraCast.com

TITLE **Marine Water / Holding Tank**

SIZE A MATERIAL: **LMDPE Natural** REV

Part #: **290075**

WEIGHT: **42#** SHEET 1 OF 1

UNLESS OTHERWISE SPECIFIED
 DIMENSIONS ARE IN INCHES
 ANGLES ±0.5°
 2 PL ±0.125° 3 PL ±0.060°