

Tank plastic resin is fully FDA compliant based upon manufacturer's specifications

Tank resins are fully UV stabilized

Tanks meet ABYC and USCG requirements for marine water and holding tank applications

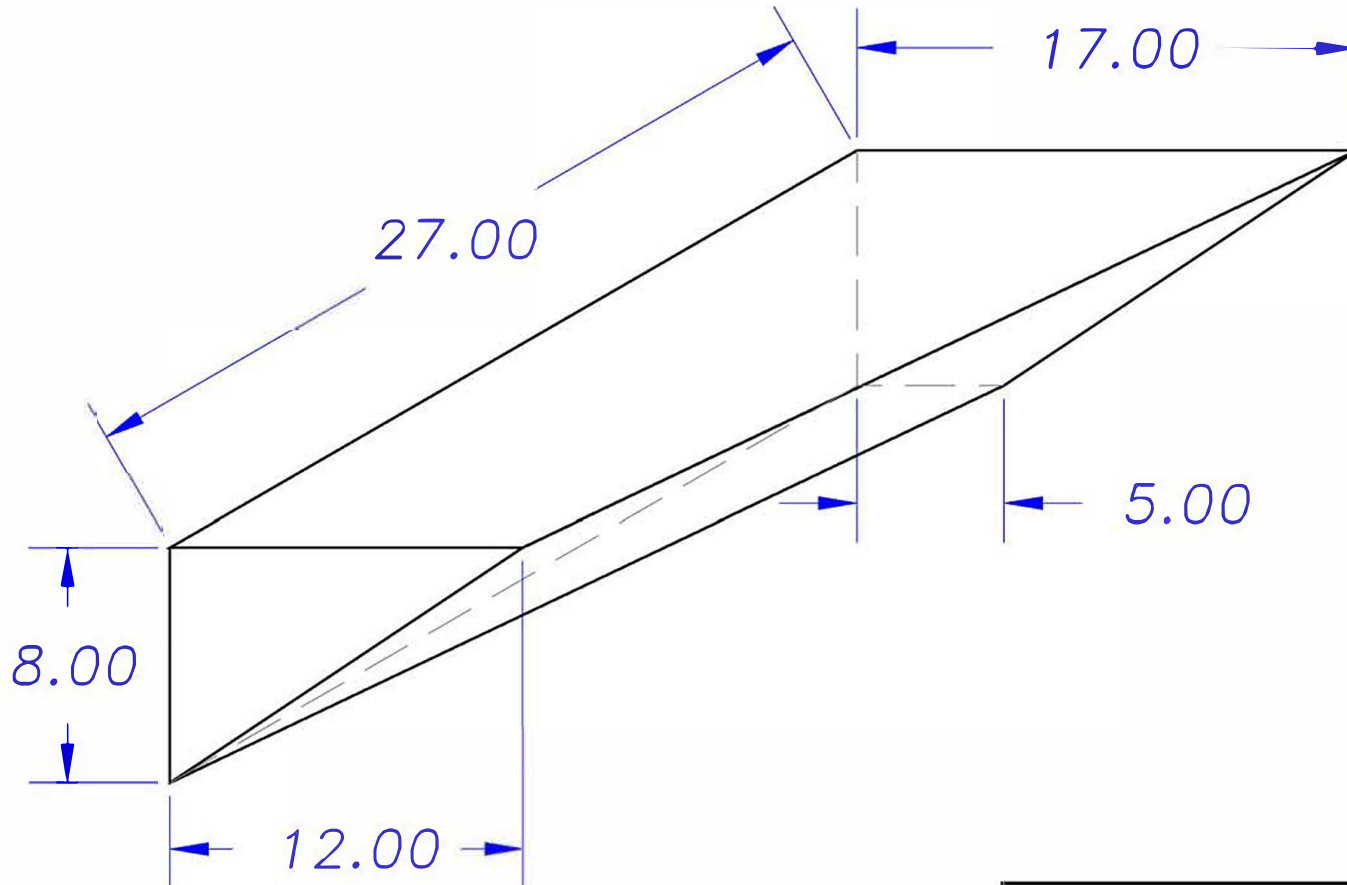
Tanks are not rated for gasoline or aromatic solvents

Allow +/- 1% on tank dimensions for overall size variances

Most size tanks are available in standard wall thickness shown or Heavy Duty

Tanks are designed to be used in a horizontal position. Rectangular tanks used in vertical position may require additional wall thickness or external support


Vent hole on tank will be closed if not used for fitting location



| REVISION HISTORY | | | |
|------------------|-------------|------|----------|
| REV | DESCRIPTION | DATE | APPROVED |
| | | | |

Wall Thickness: 0.200

| | | |
|--------------------------|--------|-----------|
| Tank Capacity: 7 Gallons | | |
| | NAME | DATE |
| DRAWN | M.PUTT | 9/01/2004 |
| CHECKED | | |
| ENG APPR | | |
| MGR APPR | | |



863.638.3200 F 863.638.2443
www.duracast.com

| | | |
|-----------------------------------|-------------------------|-----|
| TITLE Marine Water / Holding Tank | | |
| SIZE A | MATERIAL: LMDPE Natural | REV |
| Part #: 204007 | | |
| WEIGHT: 6# | SHEET 1 OF 1 | |

UNLESS OTHERWISE SPECIFIED
DIMENSIONS ARE IN INCHES
ANGLES ±0.5°
2 PL ±0.125° 3 PL ±0.060°