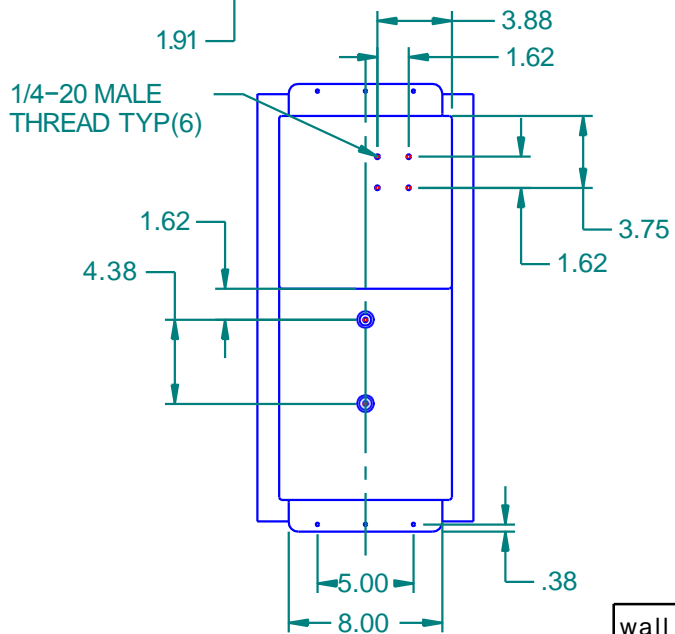
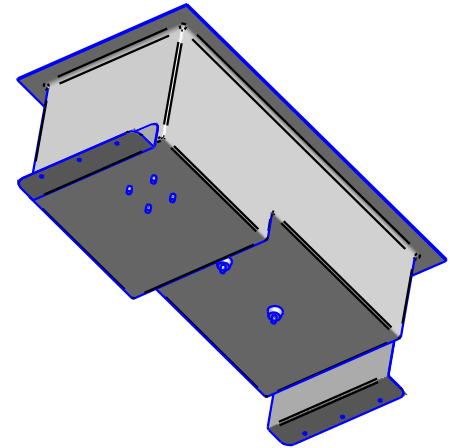
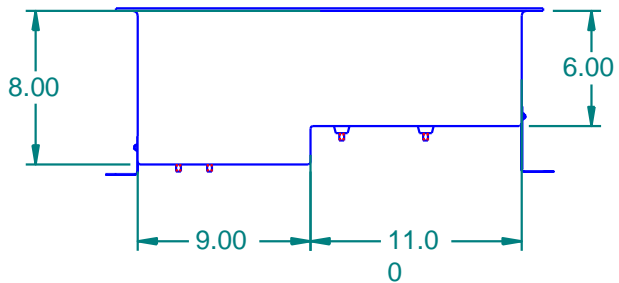
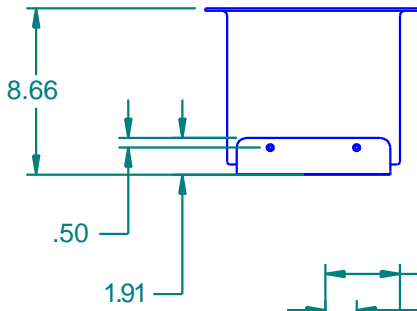
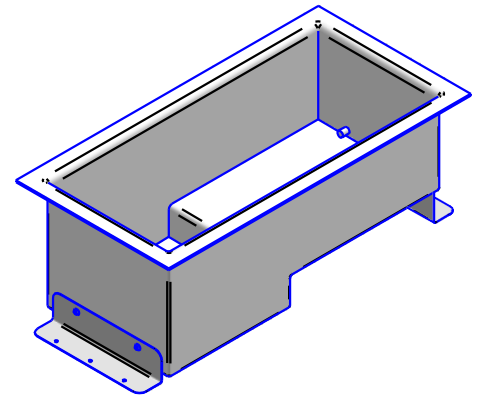
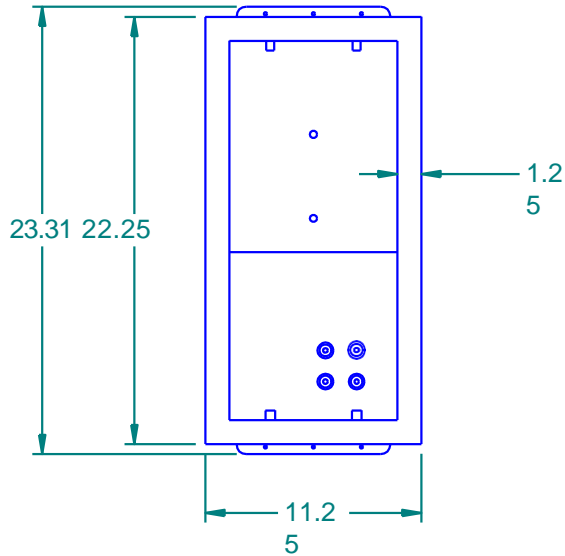


REVISION HISTORY

RE	DESCRIPTION	DAT	APPROVED
V		E	



1/4-20 MALE
THREAD TYP(6)

wall thickness: 0.125 in

				16160 Hwy 27 Lake Wales, FL 33859	
NAME	DATE			TITL 5 Gal Sump With Mounts	
DRAW	mnegron	1/27/2005	E		RE
CHECKED			SIZE		V
ENG APPR			MATERIAL: PE		
MGR APPR			FILE NAME: Shower Sump 100006.dft		
UNLESS OTHERWISE SPECIFIED DIMENSIONS ARE IN INCHES ANGLES ±0.5° 2 PL ±0.125" 3 PL ±0.060"			PART#: 100006	WEIGHT:	SHEET 1 OF 1