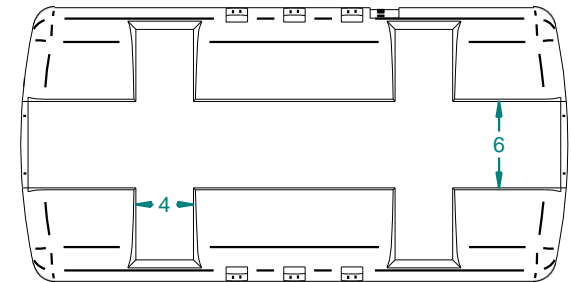
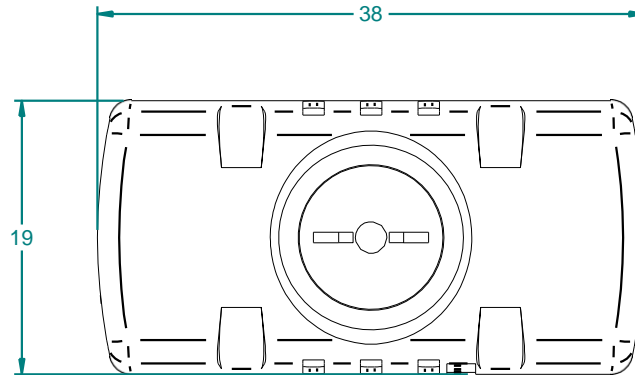
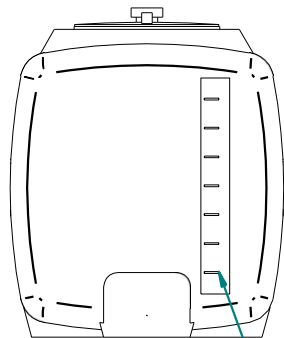


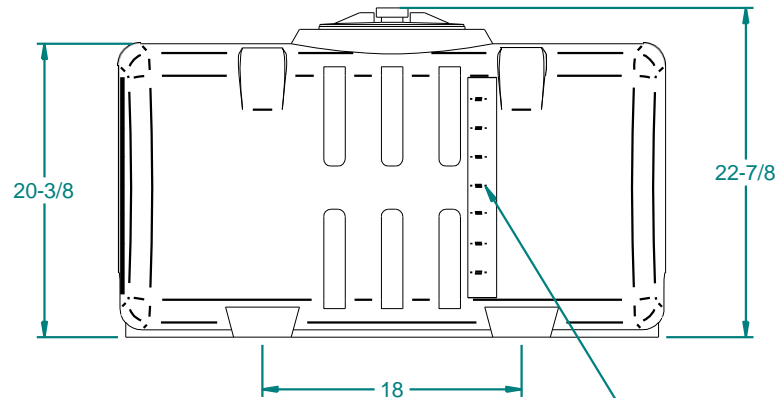
8 in VENTED LID ASSEMBLY



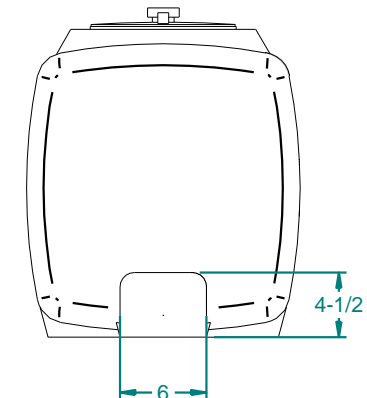
BOTTOM VIEW




GRADUATIONS



GRADUATIONS



REVISION HISTORY				
REV	DESCRIPTION	DATE	APPROVED	Revised By
10	PRODUCT RELEASE	02/28/14		

Weight: 30 lbm	NAME: mnegron	DATE: 12/18/2013	 16160 Hwy 27 Lake Wales, FL 33859		
Wall Thickness: 0.250 in	Drawn By: mnegron	DATE: 12/18/2013			
Customer Part No: NA	Customer APPR:		Customer: Dura-Cast Products, Inc.		
Print Date: 3/24/2014	Copyright © 2013 Dura-Cast Products, Inc.		Part Title: 50 Gallon FOOTank		
Comments: - UNLESS OTHERWISE SPECIFIED DIMENSIONS ARE IN INCHES - Std Radii 3/16"	UNLESS OTHERWISE SPECIFIED TOLERANCES ARE: DIMS > 10" ±1% DIMS < 10" ±0.100 WALL THICKNESS ±20% FLATNESS ±.030 in/in		File Name: 50 Gallon FOOTank 01.dft		
			Size A	Material: LLDPE 939	Rev: 10
			Part No: 920051-A0100XX1	Do Not Scale	Sheet: 10F1