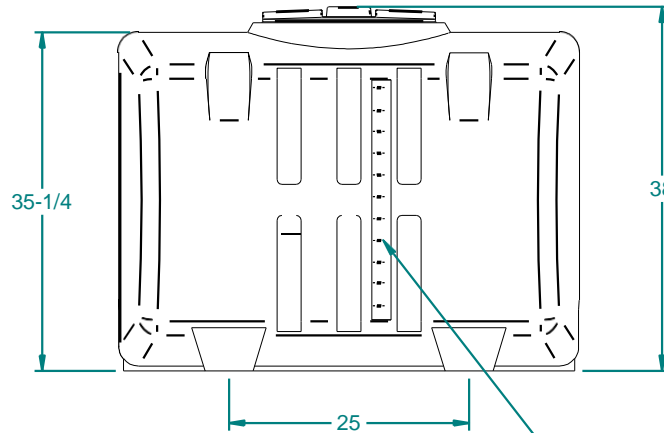
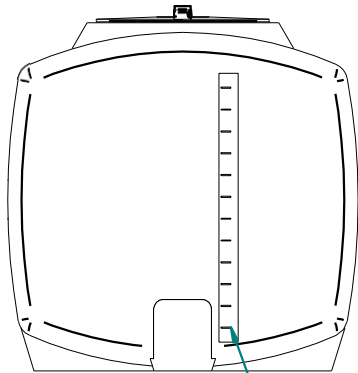
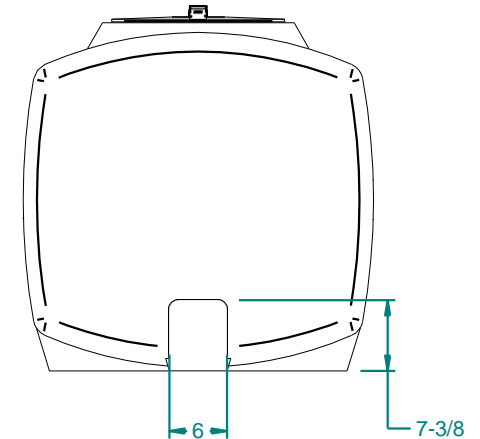



BOTTOM VIEW



GRADUATIONS



REVISION HISTORY				
REV	DESCRIPTION	DATE	APPROVED	Revised By
10	PRODUCT RELEASE	02/28/14		

Weight: 90 lbm	NAME	DATE	 16160 Hwy 27 Lake Wales, FL 33859		
Wall Thickness: 0.313 in	Drawn By: mnegron	12/18/2013			
Customer Part No: NA	Customer APPR		Customer: Dura-Cast Products, Inc.		
Print Date: 3/24/2014	Copyright © 2013 Dura-Cast Products, Inc.		Part Title: 200 Gallon PCOTank		
Comments: - UNLESS OTHERWISE SPECIFIED DIMENSIONS ARE IN INCHES - Std Radii 3/16"	UNLESS OTHERWISE SPECIFIED TOLERANCES ARE:		File Name: 200 Gallon PCOTank 01.dft		
	DIMS > 10" ±1% DIMS < 10" ±0.100		Size: A	Material: LLDPE 939	Rev: 10
	WALL THICKNESS ±20% FLATNESS ±.030 in/in		Part No: 920201-A0100XX1	Do Not Scale	Sheet: 10F1