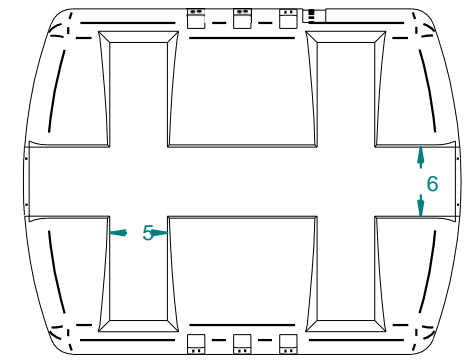
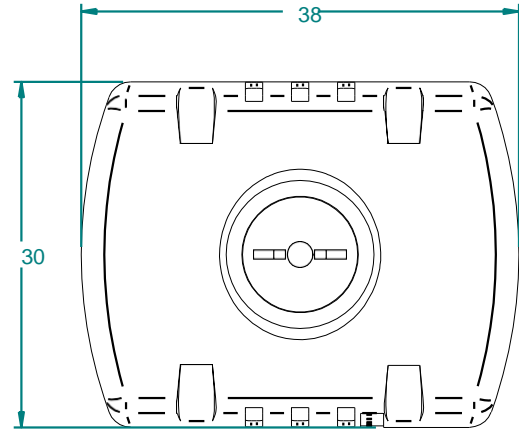
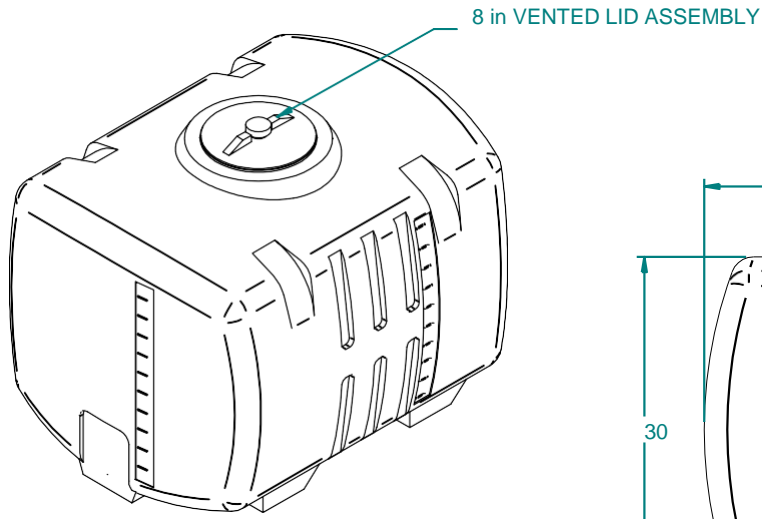
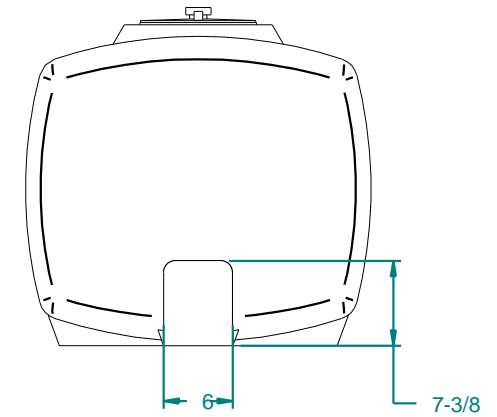
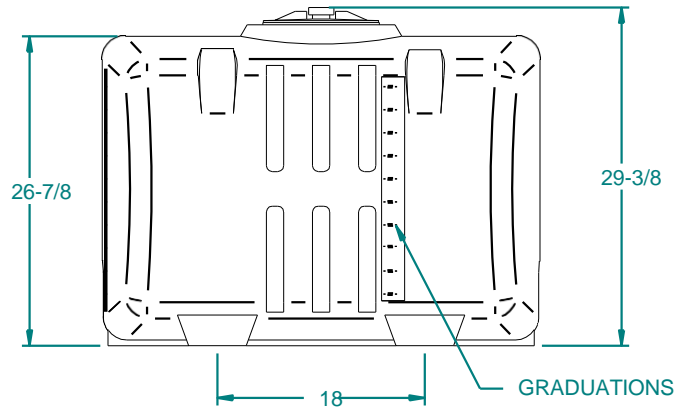
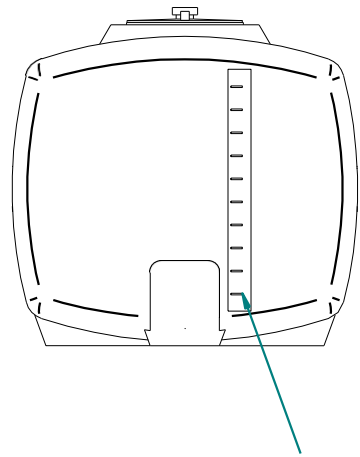


REVISION HISTORY

REV	DESCRIPTION	DATE	APPROVED	Revised By
10	PRODUC RELEASE T	02/28/14		



BOTTOM VIEW



Weight: 55 lbm	NAME	DATE	DURACAST 16160 Hwy 27 Lake Wales, FL 33859 Customer: Dura-Cast Products, Inc.
Wall Thickness: 0.312 in	Drawn By: mnegron	12/18/2013	
Customer Part No: NA	Customer APPR		Part Title: 100 Gallons FCOTank
Print Date: 3/24/2014	Copyright © 2013 Dura-Cast Products, Inc.		File Name: 100 Gallon FCOTank01.dft
Comments: - UNLESS OTHERWISE SPECIFIED DIMENSIONS ARE IN INCHES - Std Radii 3/16"	UNLESS OTHERWISE SPECIFIED TOLERANCES ARE: DIMS > 10" ±1% / DIMS < 10" ±0.100 WALL THICKNESS ±20% FLATNESS ±.030 in/in		Size A Material: LLDPE 939
	Part No: 920101-A0100XX1	Do Not Scale	Sheet 1CF1