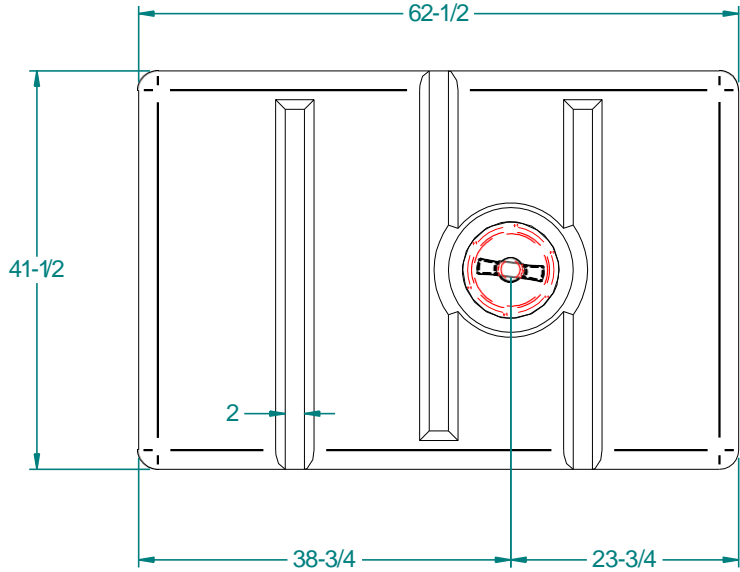
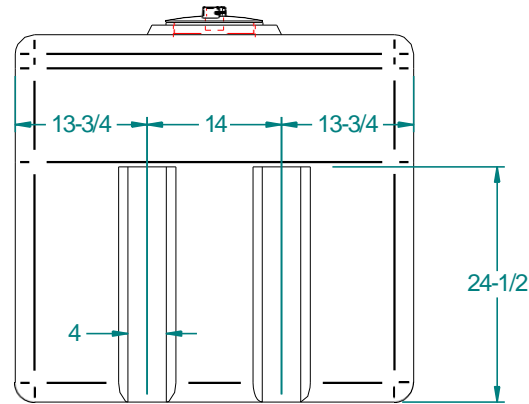
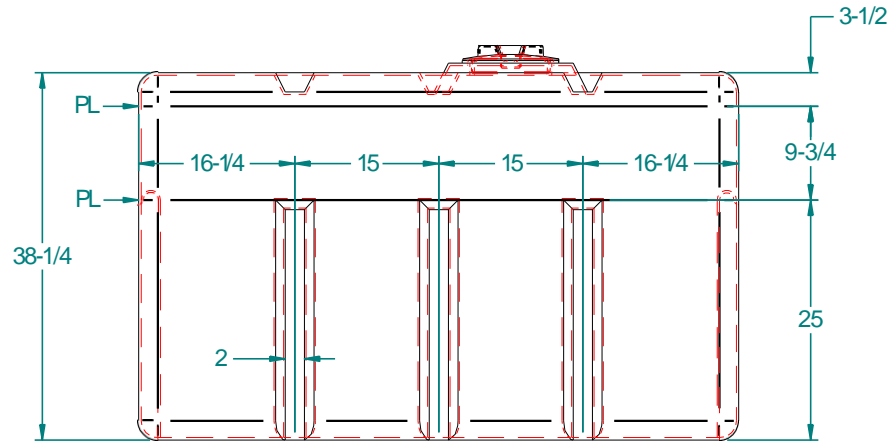
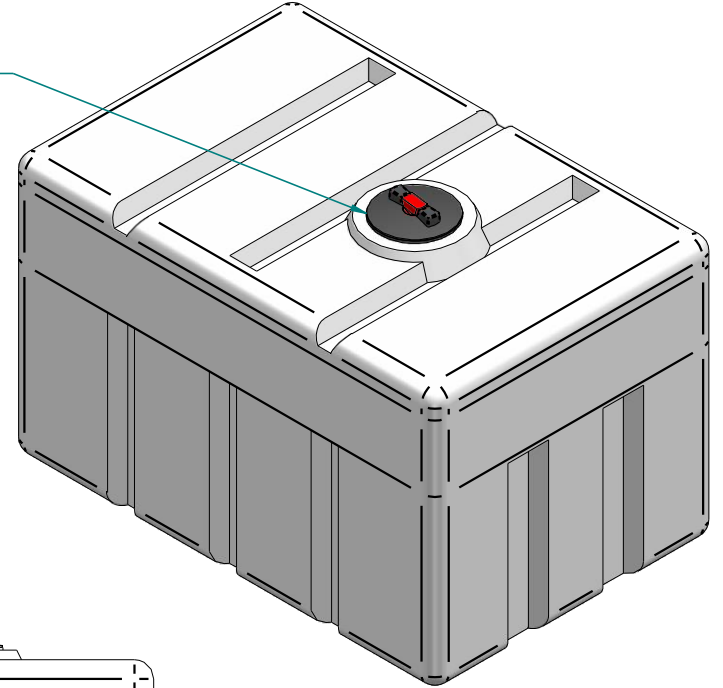



MAN PRODUCT INFORMATION

REVISION HISTORY				
REV	DESCRIPTION	DATE	APPROVED	Revised By
10	RE-DRAWN FOR NEW SPACER	07/14/16		



8 in MANWAY



Weight: 160 lbm	NAME	DATE	 16160 Hwy 27 Lake Wales, FL 33859	
Wall Thickness: 0.350 in	Drawn By: mnegron	6/22/2016		
Customer Part No: n/a	Customer APPR		Customer: Dura-Cast Products, Inc.	
Print Date: 7/14/2016	Copyright © 2016 Dura-Cast Products, Inc.		Part Title: 375 Gal Loaf Tank	
Comments: - UNLESS OTHERWISE SPECIFIED DIMENSIONS ARE IN INCHES - Std Radii 3/16"	Tolerance: UNLESS OTHERWISE SPECIFIED TOLERANCES ARE DIMS > 10" ±1% DIMS < 10" ±0.100	File Name: 375 Gal Loaf Tank 01.dft		
		Size: A	Material: LLDPE (939)	Rev: 10
		Part No: 921375-AH100XX1	Do Not Scale	Sheet: 10F1