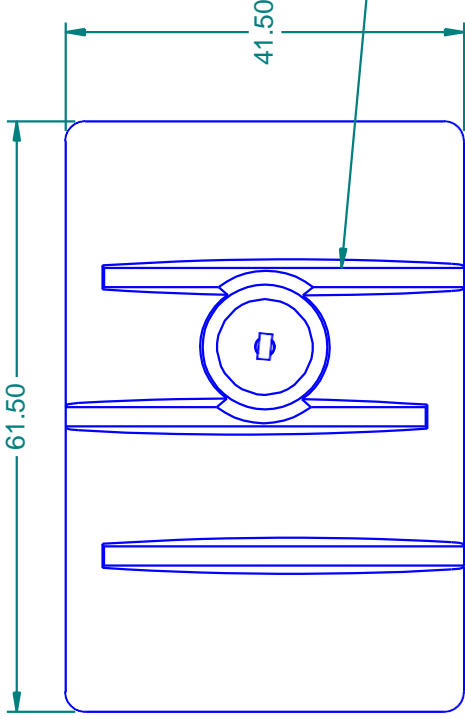
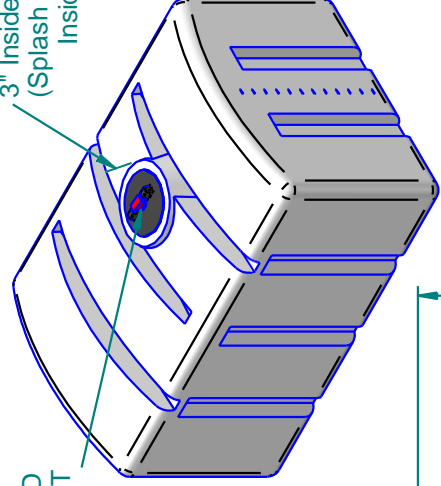


REVISION HISTORY

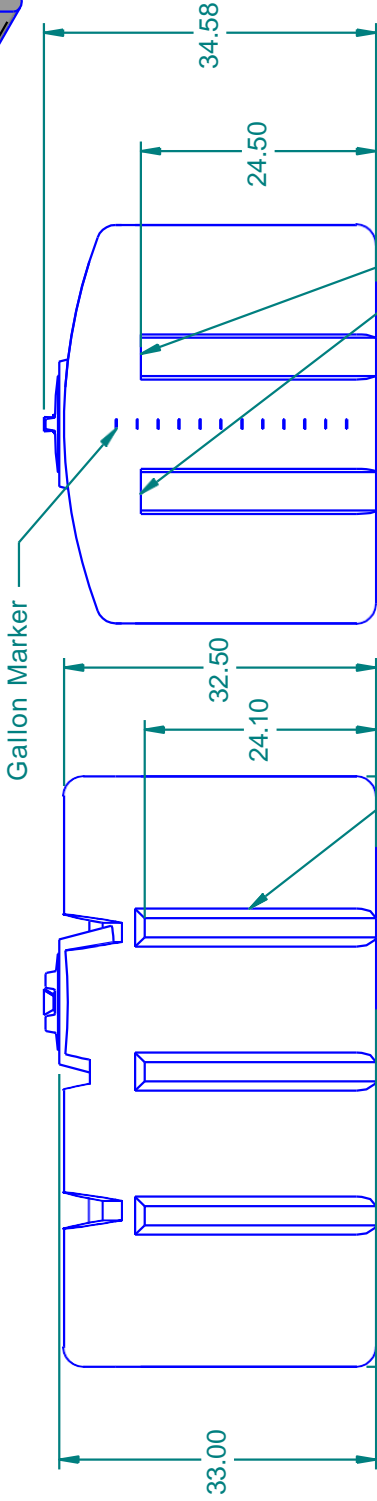
RE	DESCRIPTION	DAT	APPROVED
5	CHG OVERALL SIZE	02-14-0	

8 in THREADED LID W/ VENT

3" Inside Recess (Splash Wall) Inside



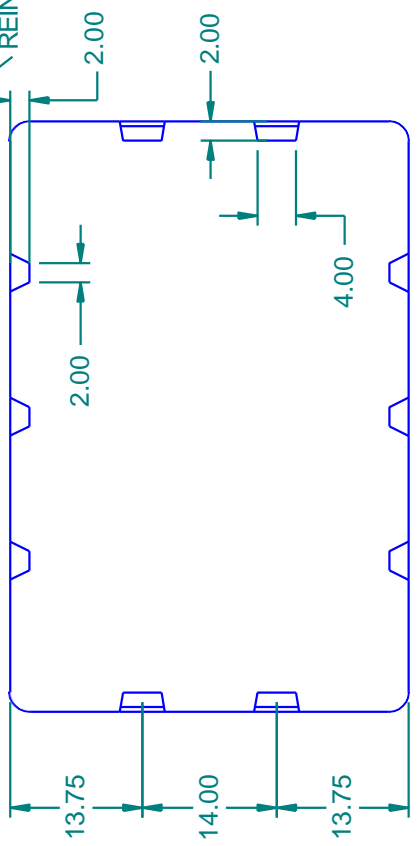
Reinforcing Ribs (sloped for drainage)



Gallon Marker

TANK HANDLES TYP (4) PLCS

REINFORCING RIBS TYP (9) PLCS



wall thickness: 0.250in



16160 Hwy 27 Lake Wales, FL 33859

TITL	300 Gal Loaf Tank
E SIZE	MATERIAL: Polyethylene
RE	V

FILE NAME: 300 Gal Loaf Tank (Sales).dft 5

PART#: 920300 WEGT: 100 LBM SHEET 1 OF 1

NAME	DATE
MNEGRO	09/08/04
CHECKED	
ENG APPR	
MGR APPR	

UNLESS OTHERWISE SPECIFIED
DIMENSIONS ARE IN INCHES
ANGLES ±0.5°
2 PL ±0.125" 3 PL ±0.060"