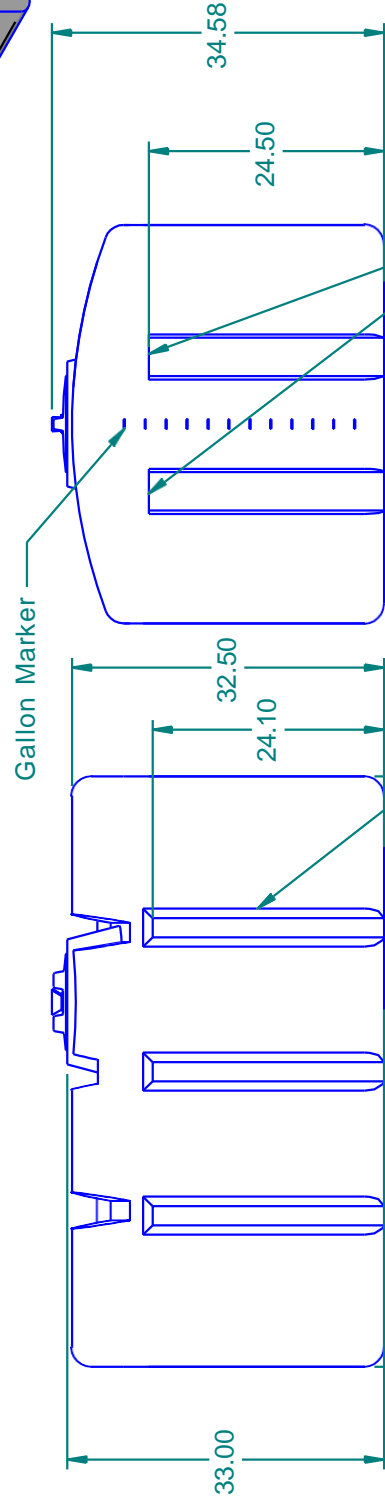
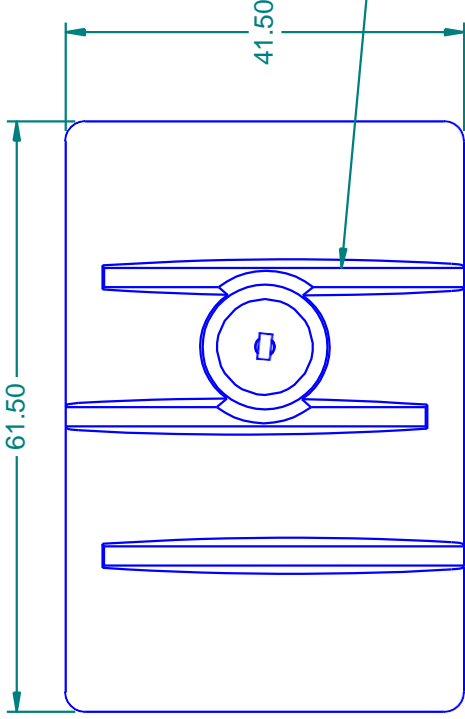
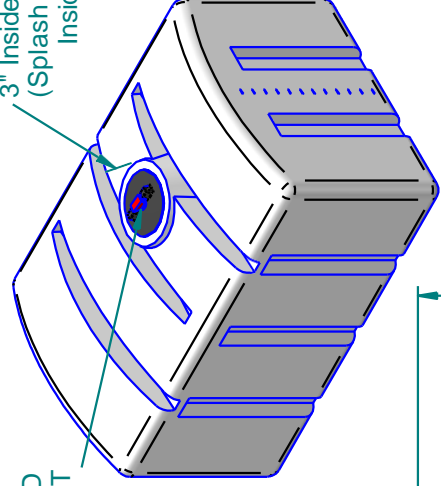


REVISION HISTORY

RE	DESCRIPTION	DAT	APPROVED
5	CHG OVERALL SIZE	02-14-0	

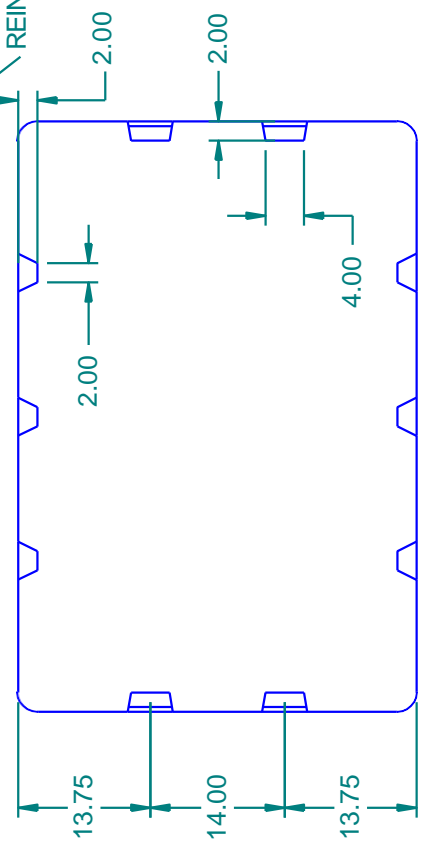
8 in THREADED LID W/ VENT

3" Inside Recess (Splash Wall) Inside



TANK HANDLES TYP (4) PLCS

REINFORCING RIBBS TYP (9) PLCS



wall thickness: 0.250in

DURACAST
16160 Hwy 27 Lake Wales, FL 33859

TITL 300 Gal Loaf Tank

E SIZE MATERIAL: Polyethylene RE V

FILE NAME: 300 Gal Loaf Tank (Sales).dft 5

PART#: 920300 WEG: 1100 LBM SHEET 1 OF 1

NAME	DATE
MNEGRO	09/08/04
ENG APPR	
MGR APPR	

UNLESS OTHERWISE SPECIFIED DIMENSIONS ARE IN INCHES ANGLES ±0.5°

2 PL ±0.125" 3 PL ±0.060"