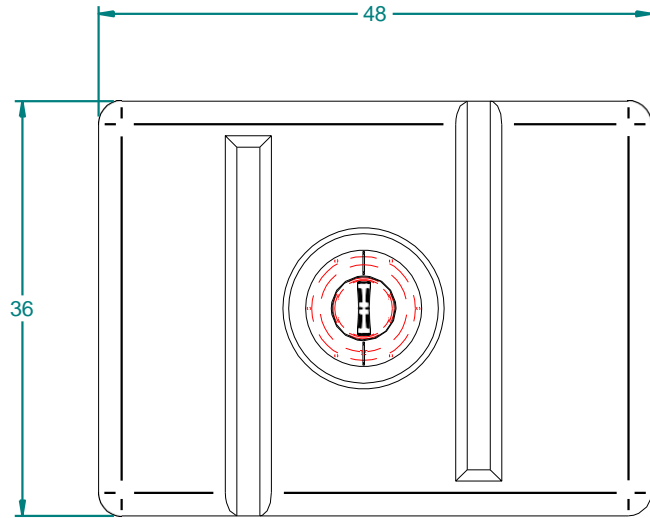


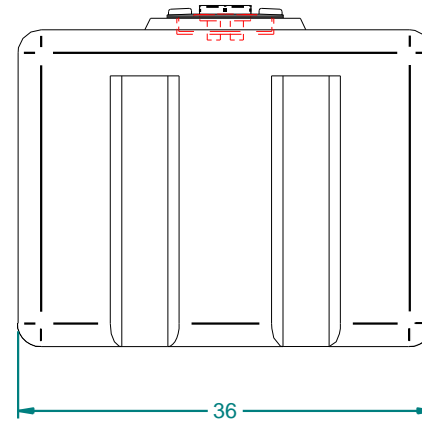
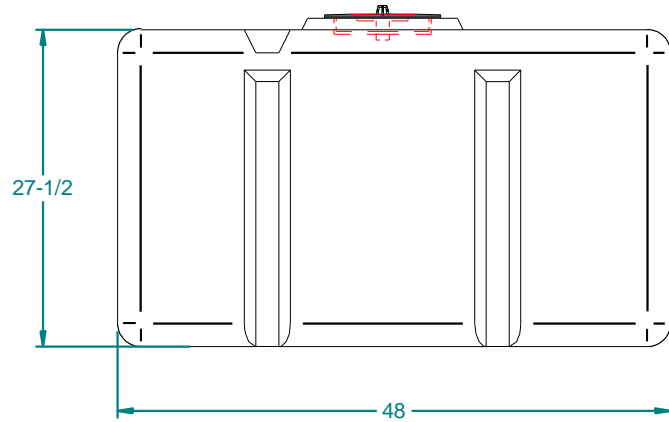
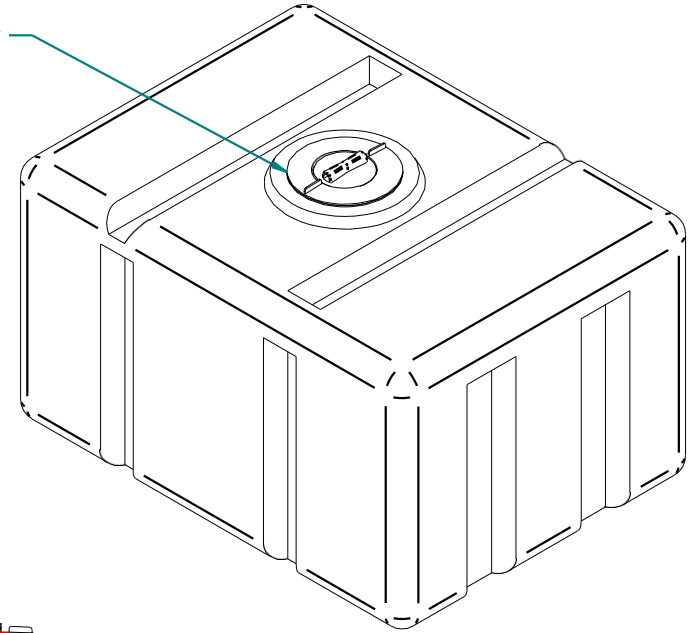
MAIN PRODUCT INFORMATION


REVISION HISTORY

REV	DESCRIPTION	DATE	APPROVED	Revised By
10	REDRAWN IN SE	05/16/17		



8 in Manway



Weight: 63 lbm	Drawn By: mnegron	NAME	DATE	
Wall Thickness: 0.220 in	Customer APPR:		5/16/2017	
Customer Part No: n/a	Copyright © 2017 Dura-Cast Products, Inc.		16160 Hwy 27 Lake Wales, FL 33859	
Print Date: 5/16/2017	UNLESS OTHERWISE SPECIFIED TOLERANCES ARE DIMS > 10" ±1% DIMS < 10" ±0.100 WALL THICKNESS ±20% FLATNESS ± .030 in/in		Customer: Dura-Cast Products, Inc.	
Comments: - UNLESS OTHERWISE SPECIFIED DIMENSIONS ARE IN INCHES - Std Radii 3/16"	Part Title: 200 Gal Loaf Tank		File Name: 200 Gal Loaf Tank.dft	
	Size: A	Material: Polyethylene, low density	Rev: 10	
	Part No: 921200-AH100XX1	Do Not Scale	Sheet: 10F1	