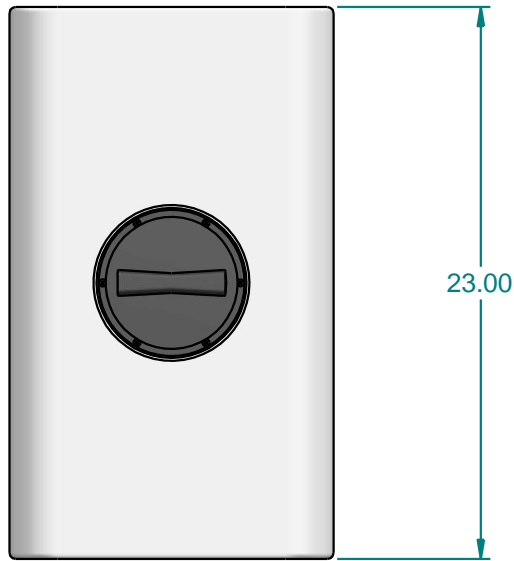
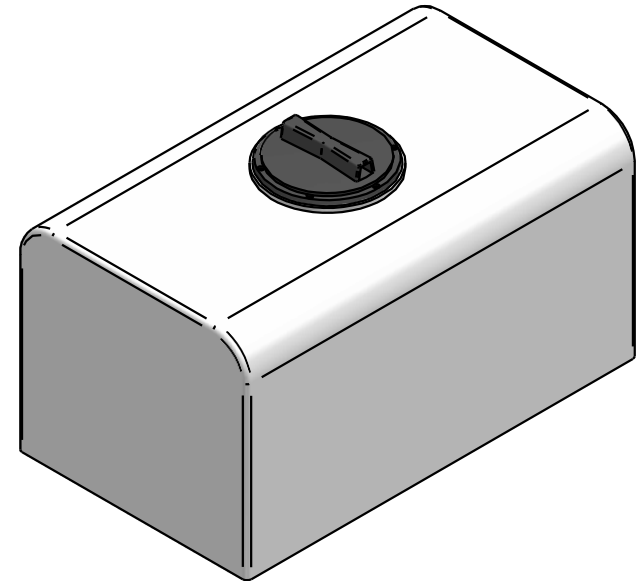


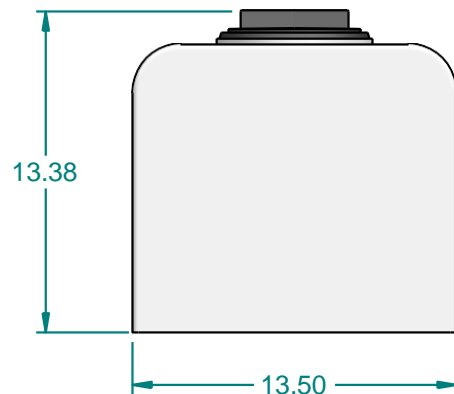
REVISION HISTORY			
REV	DESCRIPTION	DATE	APPROVED
12	ADDED SHEET FOR HOLD DOWN BANDS	06/30/17	



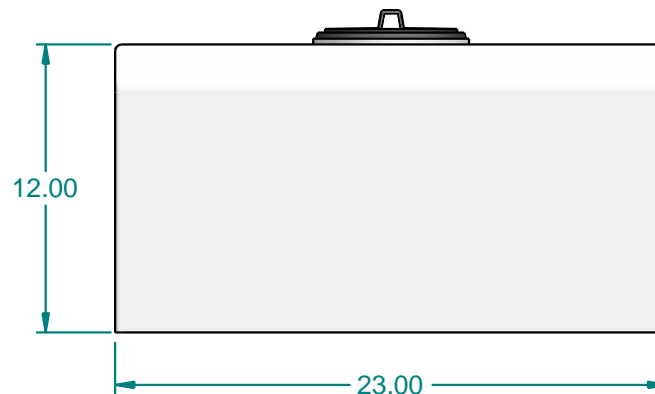
Top View



ISO View




End View



Side View

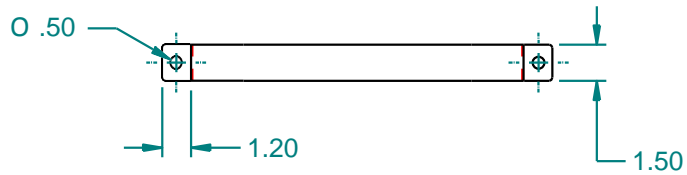
wall thickness: .200"

Tank Capacity: 15 Gallons		
	NAME	DATE
DRAWN	mputt	6/22/2016
CHECKED		
ENG'N		
MGR'N		
UNLESS OTHERWISE SPECIFIED DIMENSIONS ARE IN INCHES ANGLES ±0.5° 2 PL ±0.125" 3 PL ±0.060"		

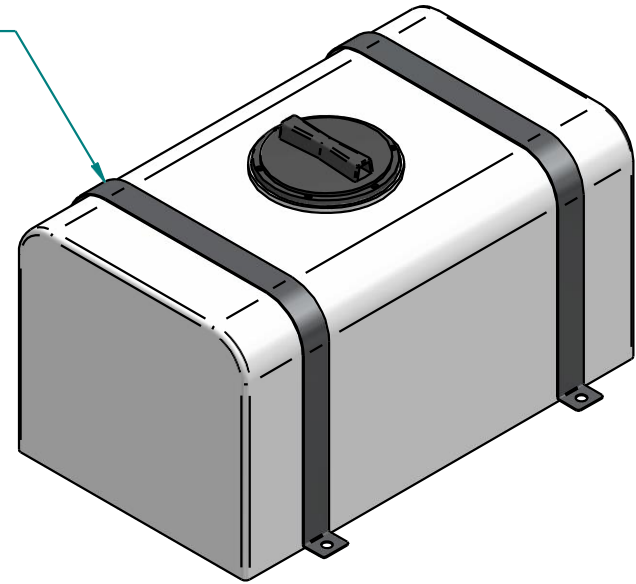
		
16160 Hwy 27 Lake Wales, FL 33859		
TITLE 15 Gallon Loaf Tank		
SIZE A	MATERIAL hdpe natural	REV 12
FILE NAME: 920015.dft		
PART#: 920015	WEIGHT: 10 lbm	SHEET 1 OF 2

REVISION HISTORY

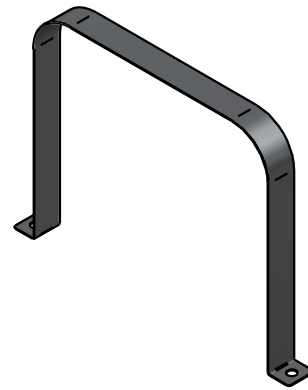
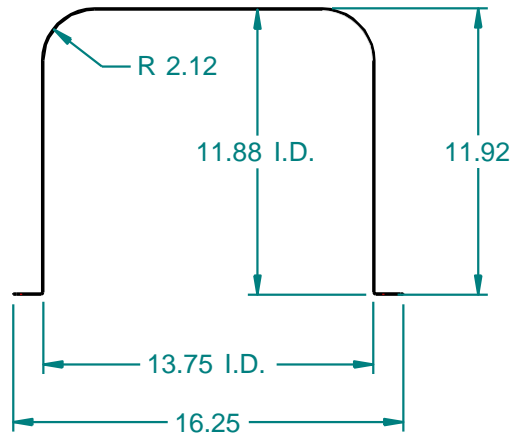
REV	DESCRIPTION	DATE	APPROVED
12	ADDED SHEET FOR HOLD DOWN BANDS	06/30/17	



HOLD DOWN BANDS (OPTIONAL)



ISO View



Tank Capacity: 15 Gallons



	NAME	DATE
DRAWN	mputt	6/22/2016
CHECKED		
ENG'N'G		
MGR'N'G		

16160 Hwy 27 Lake Wales, FL 33859

TITLE 15 Gallon Loaf Tank

SIZE A	MATERIAL: 18 GA ST. STEEL	REV 12
-----------	---------------------------	-----------

FILE NAME: 920015.dft

PART# 920015-F0SXXX1	WEIGHT: 10 lbm	SHEET 2 OF 2
-------------------------	----------------	--------------

wall thickness: .200"

UNLESS OTHERWISE SPECIFIED  
DIMENSIONS ARE IN INCHES  
ANGLES ±0.5°  
2 PL ±0.125" 3 PL ±0.060"