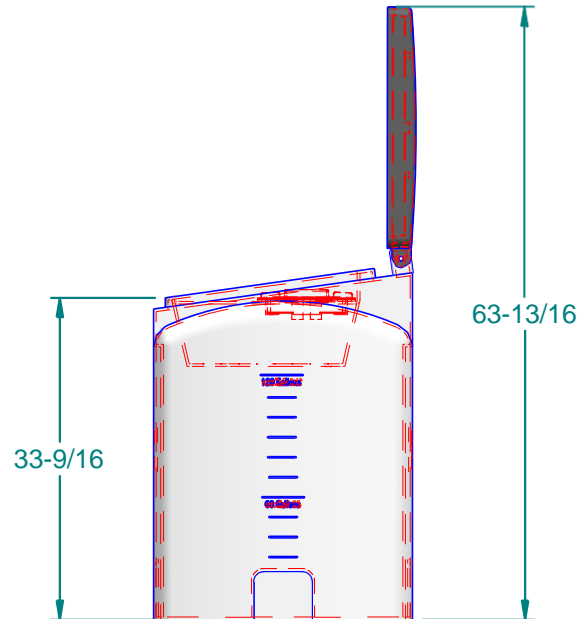
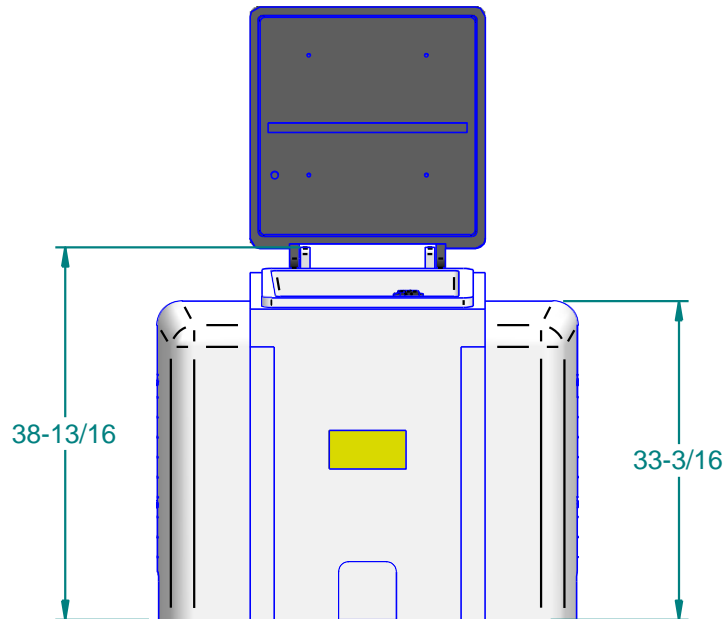
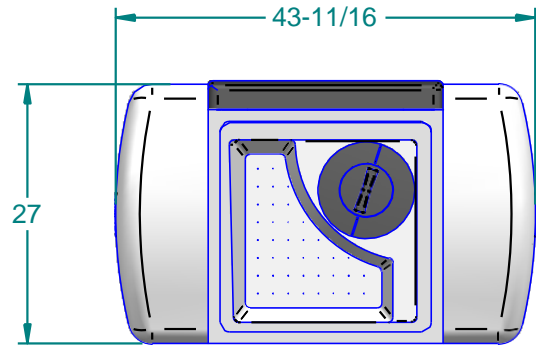
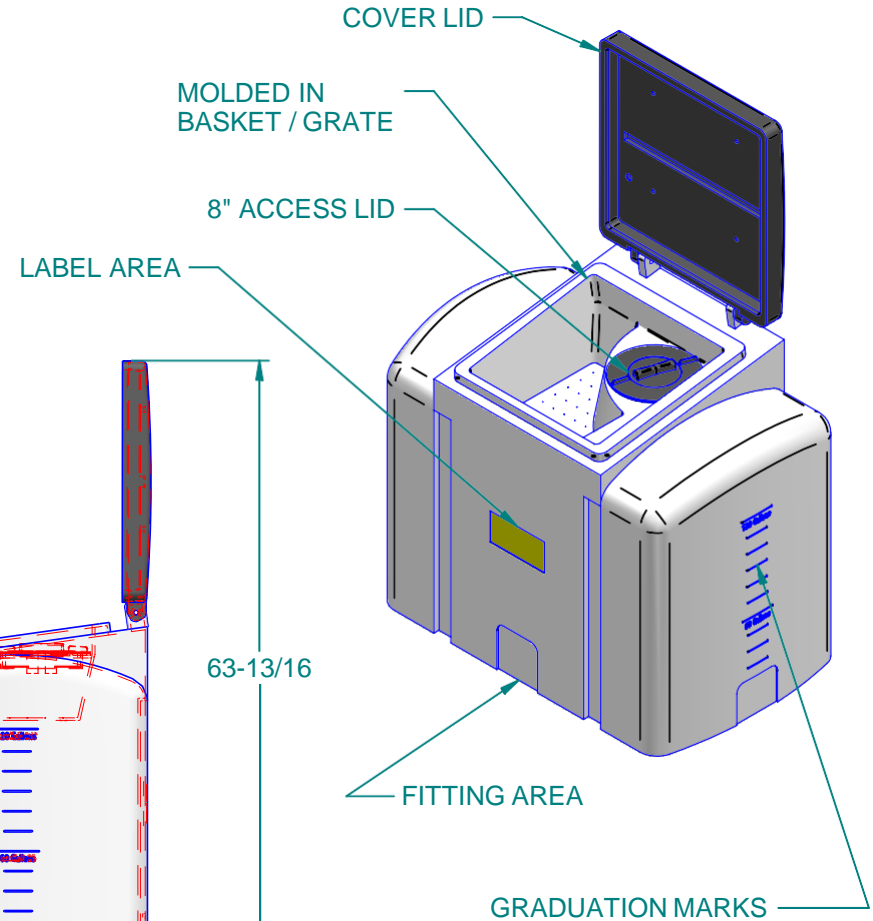


MAIN PRODUCT INFORMATION



REVISION HISTORY				
REV	DESCRIPTION	DATE	APPROVED	Revised By
A	Initial Design Release	6/16/2008		

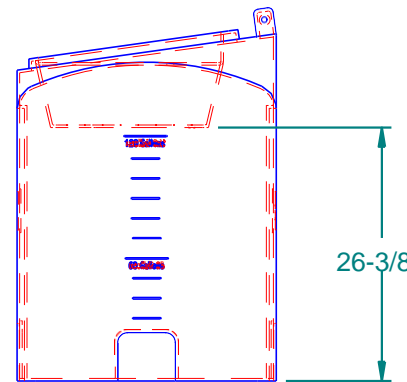
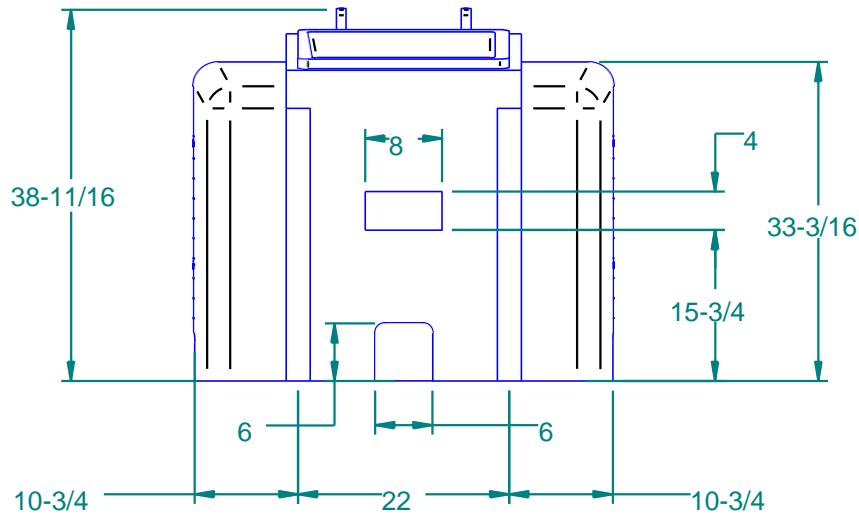
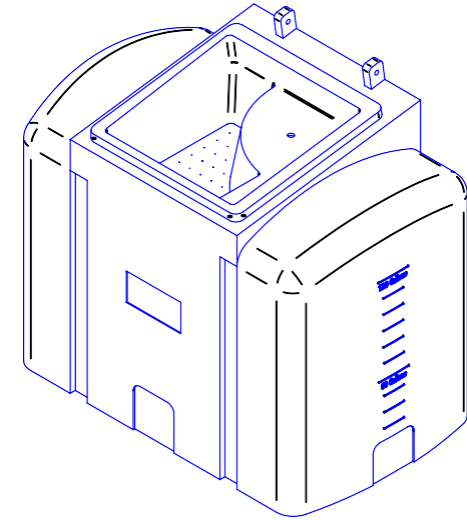
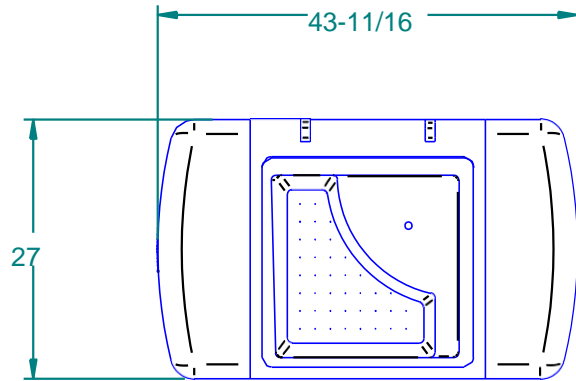



Weight: 0.000 lbm	NAME	DATE		
Wall Thickness: Name?:Thinwall_1_Thickness	Drawn By: rmegron	6/16/2008		
Customer Part No: Name?:Customer Part No	Customer APPR		16160Hwy27 Lake Wales,FL.33859	
Print Date: 11/7/2007	Copyright ©2007 Dura-Cast Products, Inc.		Customer: Dura-Cast Products, Inc.	
Comments: - UNLESS OTHERWISE SPECIFIED DIMENSIONS ARE IN INCHES - Std Radii 3/16"	Tolerance: UNLESS OTHERWISE SPECIFIED TOLERANCES ARE ±1%		Part Title: 125 Gal Bio Diesel Tank	
			File Name: 125 Gal Loaf Tank - BIO-DIESEL.dft	
			Size: A	Material:
		Part No: 920125-2BIO	Do Not Scale	Sheet 10/3

MOLDED TANK

REVISION HISTORY

REV	DESCRIPTION	DATE	APPROVED	Revised By
A	Initial Design Release	6/16/2008		

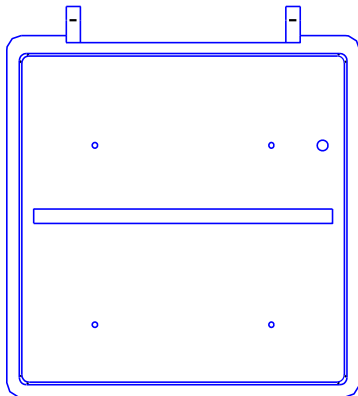
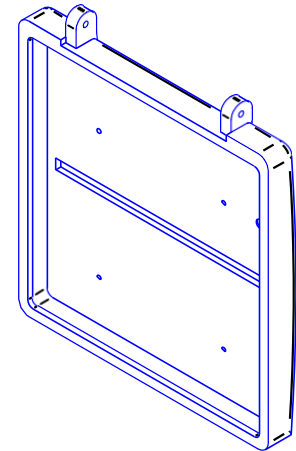
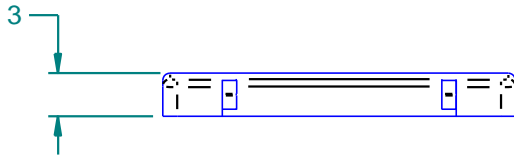
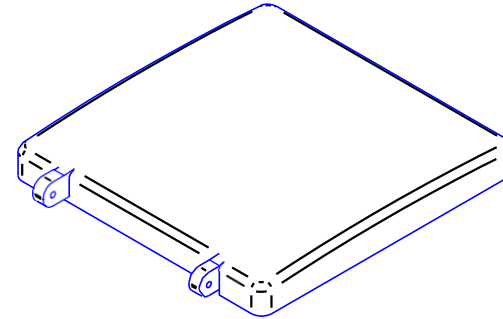
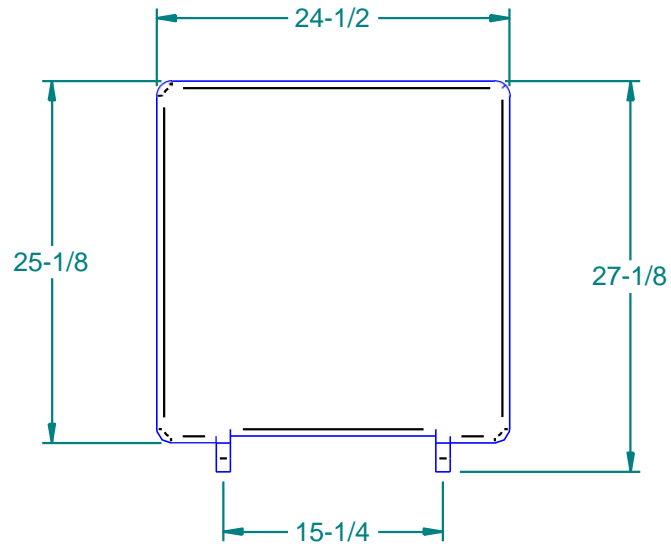



Weight: 0.000 lbm	NAME	DATE	 16160 Hwy 27 Lake Wales, FL 33859	
Wall Thickness: Name?:Thinwall_1_Thickness	Drawn By: mnegron	6/16/2008		
Customer Part No: Name?:Customer Part No	Customer APPR		Customer: Dura-Cast Products, Inc.	
Print Date: 11/7/2007	Copyright © 2007 Dura-Cast Products, Inc.		Part Title: 125 Gal Bio Diesel Tank	
Comments: - UNLESS OTHERWISE SPECIFIED DIMENSIONS ARE IN INCHES - Std Radii 3/16"	Tolerance: UNLESS OTHERWISE SPECIFIED TOLERANCES ARE ±1%		File Name: 125 Gal Loaf Tank - BIO-DIESEL.dft	
			Size: A	Material:
Part No: 920125-2BIO		Do Not Scale	Sheet	2 OF 3

MOLDED LID

REVISION HISTORY

REV	DESCRIPTION	DATE	APPROVED	Revised By
A	Initial Design Release	6/16/2008		



Weight: 0.000 lbm	NAME	DATE	 16160 Hwy 27 Lake Wales, FL 33859		
Wall Thickness: Name?:Thinwall_1_Thickness	Drawn By: mmegron	6/16/2008			
Customer Part No: Name?:Customer Part No	Customer APPR		Customer:	Dura-Cast Products, Inc.	
Print Date: 11/7/2007	Copyright © 2007 Dura-Cast Products, Inc.		Part Title:	125 Gal Bio Diesel Tank	
Comments: - UNLESS OTHERWISE SPECIFIED DIMENSIONS ARE IN INCHES - Std Radii 3/16"	Tolerance:		File Name:	125 Gal Loaf Tank - BIO-DIESEL.dft	
	UNLESS OTHERWISE SPECIFIED TOLERANCES ARE ±1%		Size: A	Material:	Rev: A
			Part No: 920125-2BIO	Do Not Scale	Sheet 3 of 3