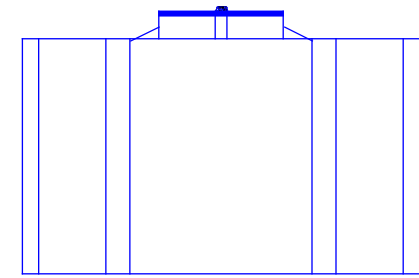
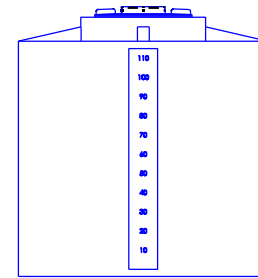
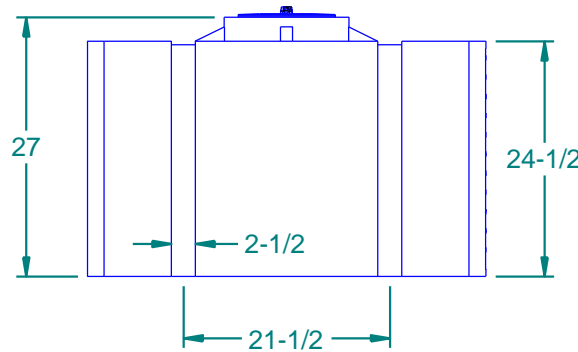
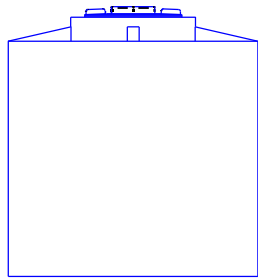
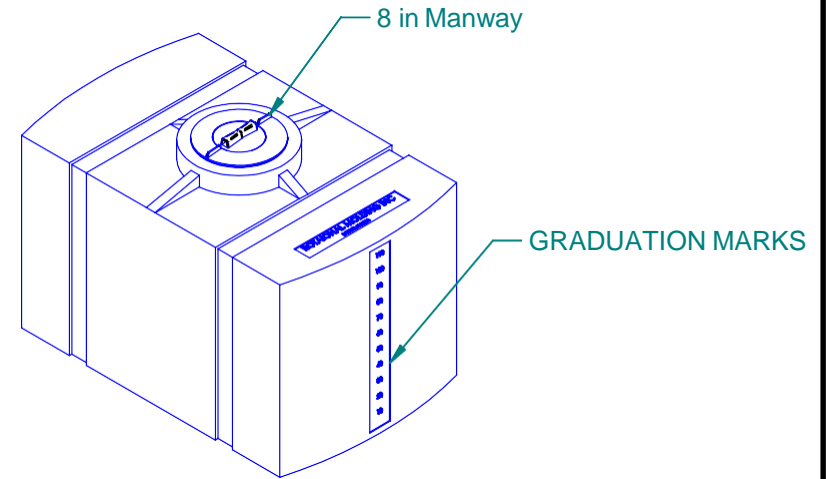
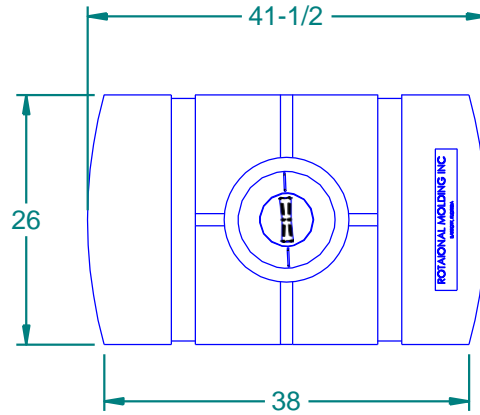



MAIN PRODUCT INFORMATION

REVISION HISTORY

REV	DESCRIPTION	DATE	APPROVED	Revised By
A	Initial Design Release	1/7/2009		



Weight: 44.551 lbm	NAME: mnegron	DATE: 1/7/2009	 16160 Hwy 27 Lake Wales, FL 33859	
Wall Thickness: 0.250	Drawn By: mnegron	1/7/2009		
Customer Part No: n/a	Customer APPR:		Customer: Dura-Cast Products, Inc.	
Print Date: 1/7/2009	Copyright © 2007 Dura-Cast Products, Inc.		Part Title: 110 Gal Loaf Tank	
Comments: - UNLESS OTHERWISE SPECIFIED DIMENSIONS ARE IN INCHES - Std Radii 3/16"	Tolerance: UNLESS OTHERWISE SPECIFIED TOLERANCES ARE ±1%		File Name: 110GalLoaf Tank.dft	
	Size: A	Material: Polyethylene, low density	Rev: A	
Part No: 920110-A0100X1		Do Not Scale	Sheet: 10F1	