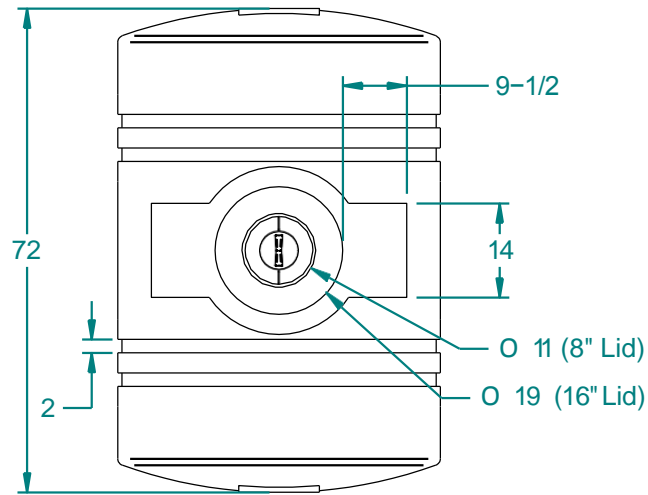
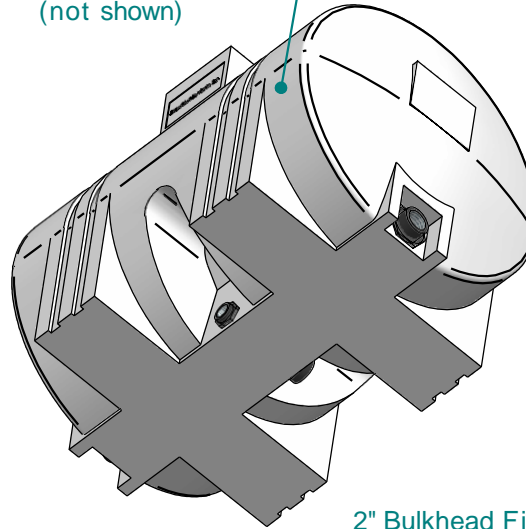


REVISION HISTORY

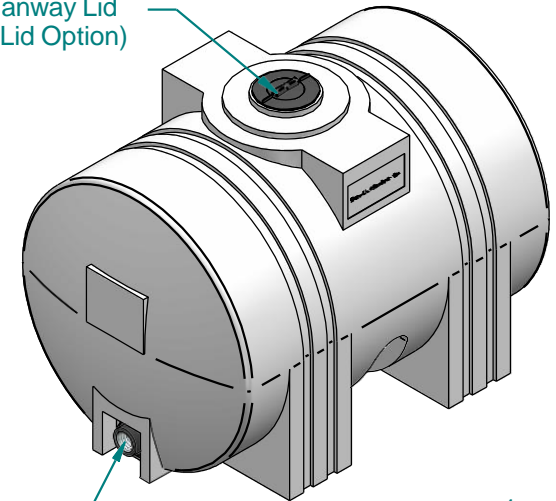
REV	DESCRIPTION	DATE	APPROVED	Revised By
10	RAISED MANWAY AREAS	06/05/12		



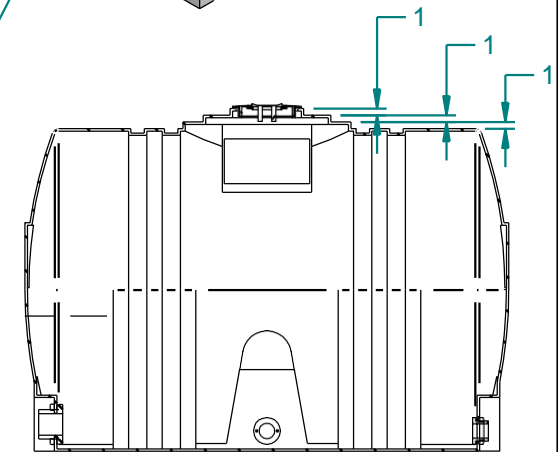
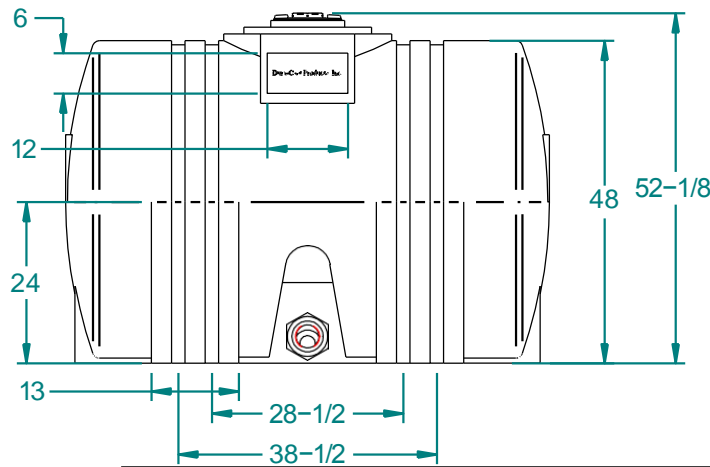
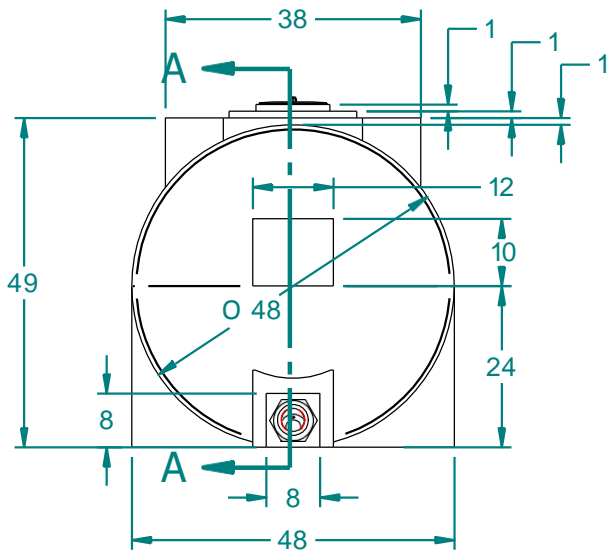
Gallons Calibration
25 Gal Intervals
Typical Both Ends
(not shown)



8" Manway Lid
(16" Lid Option)



2" Bulkhead Fitting (3" B/H Fitting Option)



SECTION A-A

Weight: 130218lbm	NAME: mnegron	DATE: 3/8/2007	<p>16160 Hwy 27 Lake Wales, FL 33859</p>
Wall Thickness: Name? Wall Thickness	DRAWN By: mnegron	Customer: Dura-Cast Products, Inc.	
Customer Part No: Name? Customer Part No	Customer: APFR	Part Title: 525 Gal Leg Tank	File Name: 525 Gal Leg Tank.dft
Print Date: 6/5/2012	MFG/PPR	Part No: 920525	Material: Rev: 10
Comments:	Tolerance: UNLESS OTHERWISE SPECIFIED DIMENSIONS ARE IN INCHES ±1% Std Radii 3/16"	Do Not Scale	Sheet: 10F1