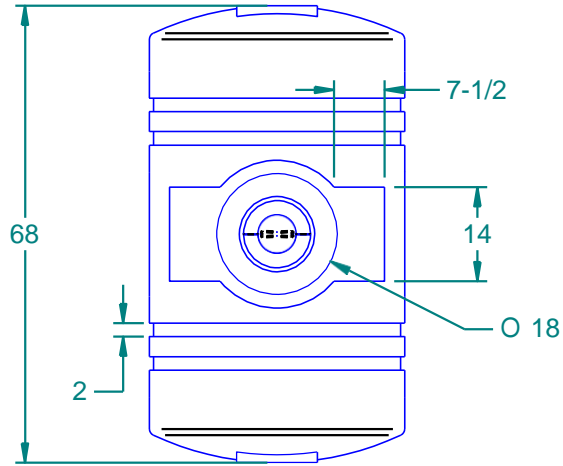
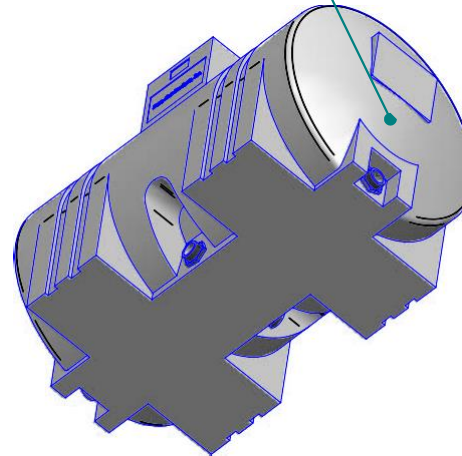


REVISION HISTORY

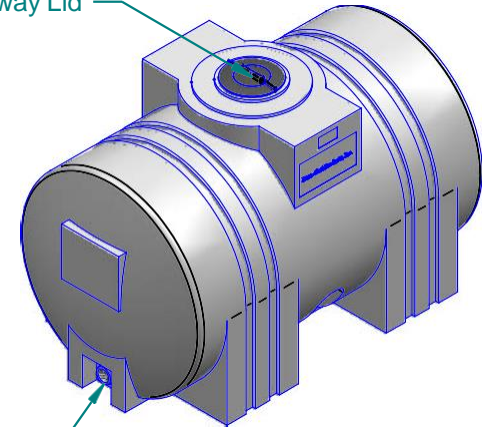
REV	DESCRIPTION	DATE	APPROVED	Revised By
A	Initial Design Release	3/2/2007		



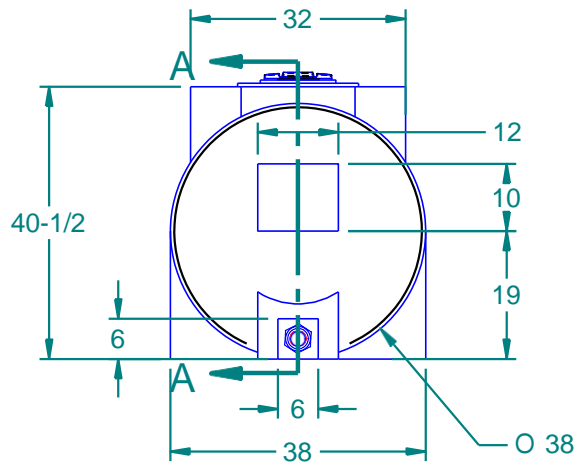
Gallons Calibration
25 Gal Intervals
Typical Both Ends
(not shown)



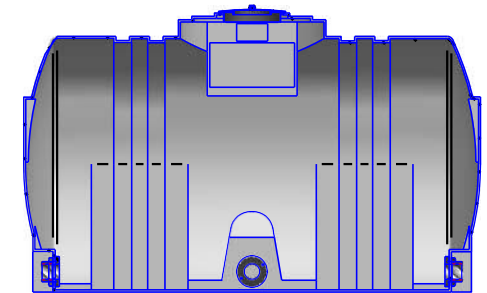
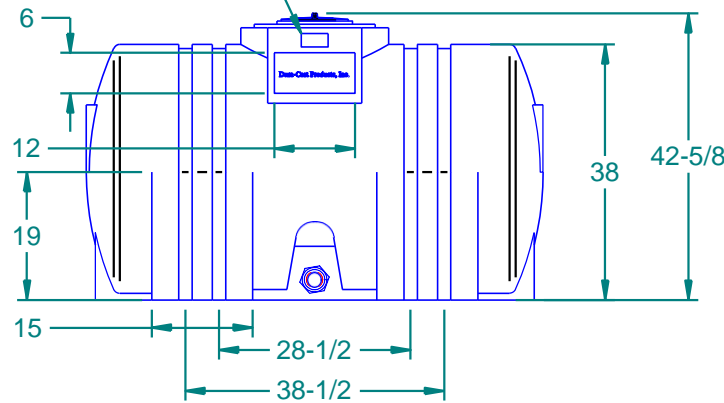
8" Manway Lid




2" Bulkhead Fitting



Dura-Cast Label



SECTION A-A

Weight: 130218 lbm	NAME	DATE	 16160 Hwy 27 Lake Wales, FL 33859
Wall Thickness: Name?/Wall Thickness	DRAWN By: mmegron	3/2/2007	
Customer Part No: Name?/Customer Part No	Customer APPR		Customer: Dura-Cast Products, Inc.
Print Date: 3/2/2007	MFG/PPR		Part Title: 325 Gal Leg Tank
Comments:	Tolerance: UNLESS OTHERWISE SPECIFIED DIMENSIONS ARE IN INCHES ±1% Std Radii 3/16"		File Name: 325 Gal Leg Tank.dft
			Size: A Material: Rev: A
			Part No: Do Not Scale Sheet 10F1