

**REVISION HISTORY**

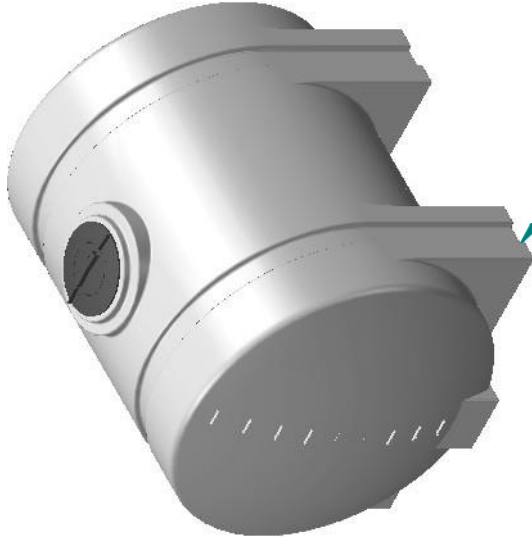
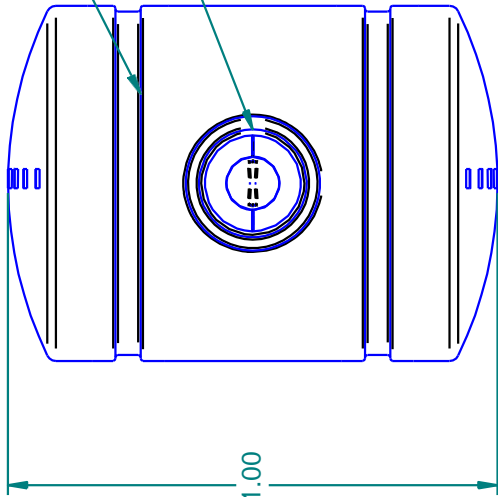
RE	DESCRIPTION	DATE	APPROVED
V		E	

TIE DOWNBAND RECESSES

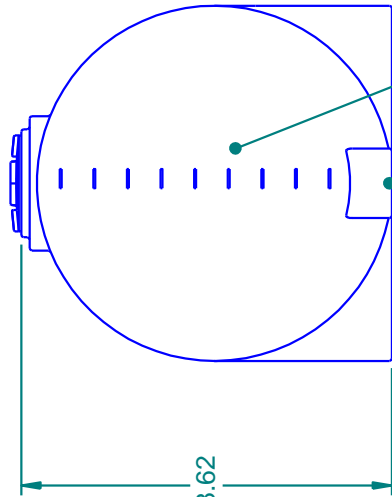
8" MANWAY LID

2.62

51.00

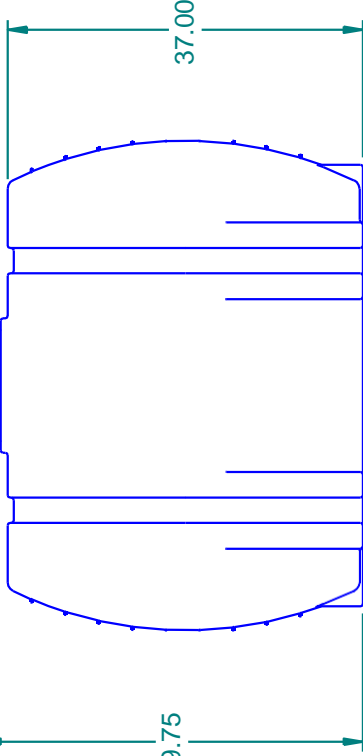


39.75



38.62

DRAINAGE FLAT AREA (BOTH SIDES)  
GALLONS MARKER (BOTH SIDES)



37.00

LEGS SUPPORT

NAME	DATE
mnegron	12/28/2004
UNLESS OTHERWISE SPECIFIED DIMENSIONS ARE IN INCHES ANGLES ±0.5° 2 PL ±0.125" 3 PL ±0.060"	

**DURACAST**  
16160 Hwy 27 Lake Wales, FL 33859

TITLE: 225 Gal Horizontal Leg Tank

SIZE: E MATERIAL: LMDP RE: V

FILE NAME: 225 Gal Horizontal Leg Tank.dft

PART#: 920225 WEIGHT: 85.415 lbm SHEET 1 OF 1

Thickness: 0.312 in