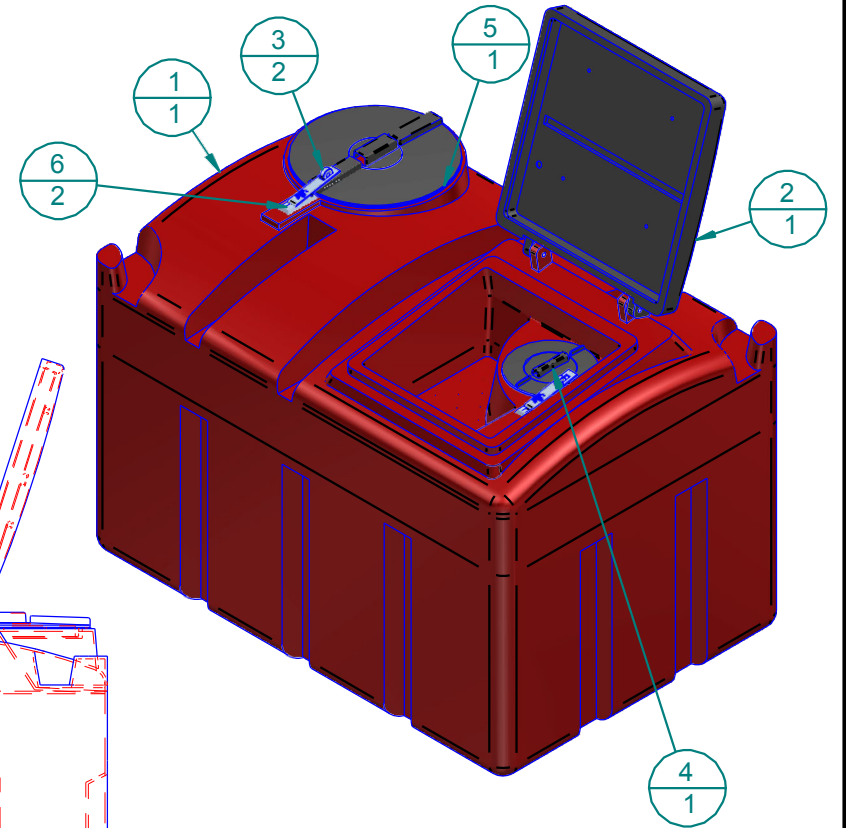


REVISION HISTORY				
REV	DESCRIPTION	DATE	APPROVED	Revised By
A	INITIAL RELEASE	08/13/12		



Item Number	Document Number	Title	Quantity
1	920326	325 Gal Bio Diesel Tank	1
2	920302	Bio Diesel Lid	1
3		7-1/4" Hardened Steel Hasp- Tie Down	2
4	751008T	8" Vented Manway, Tethered	1
5	751016	16in Vented Manway	1
6	406054	7-1/4" Hardened Steel Hasp- Sub Assy	2

Weight:	124.900 lbm	NAME	DATE
Wall Thickness:	See Part Details	DRAWN By:	mmegron 8/13/2012
Customer Part No:	NA	Customer APPR	
Print Date:	8/13/2012	Copyright ©2012 Dura-Cast Products, Inc.	
Comments:	<ul style="list-style-type: none"> - UNLESS OTHERWISE SPECIFIED DIMENSIONS ARE IN INCHES - Std Radii 3/16" 		
	Tolerance:	UNLESS OTHERWISE SPECIFIED TOLERANCES ARE ±1%	

DURACAST

16160 Hwy 27 Lake Wales, FL 33859

Customer: **Dura-Cast Products, Inc**

Part Title: **325 Gal Bio Diesel Tank Assy**

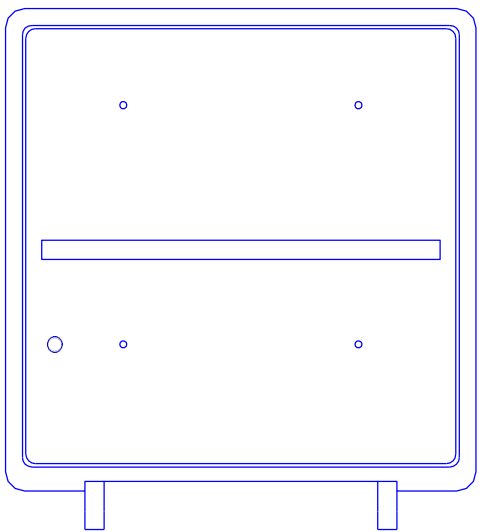
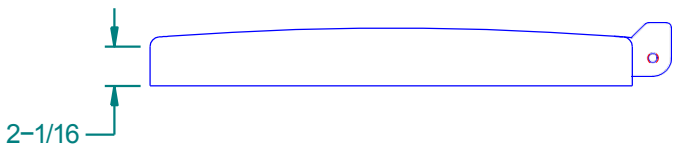
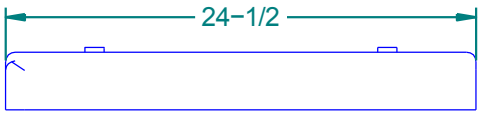
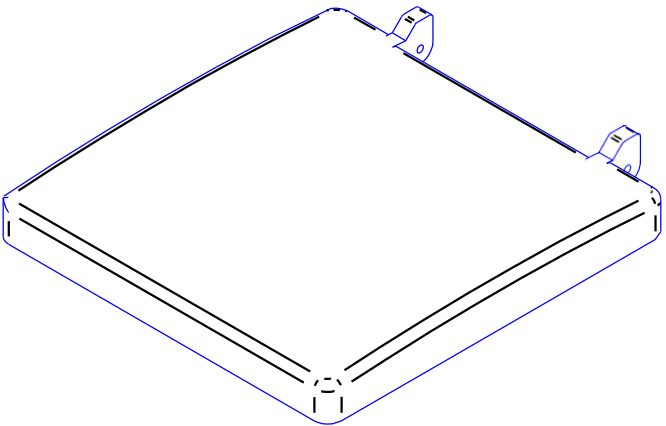
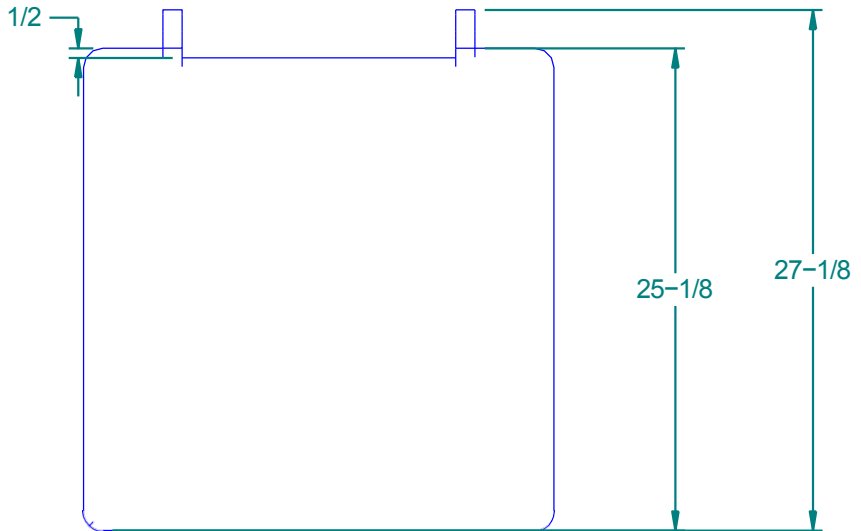
File Name: **325 Gal Bio Diesel Tank.dft**


Size: A Material: Rev. A

Part No: 920326 Do Not Scale Sheet: 10/3

REVISION HISTORY

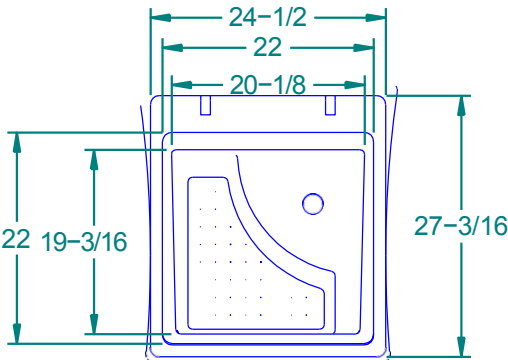
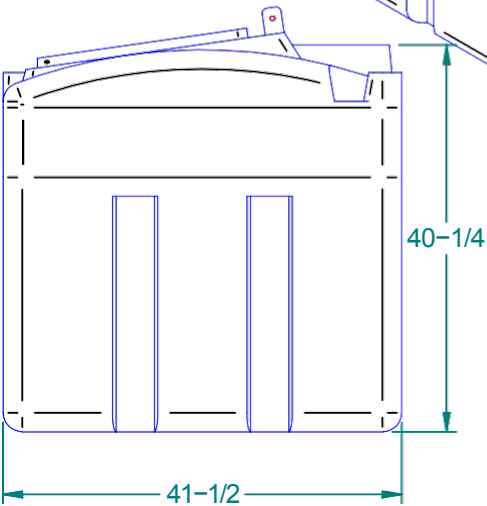
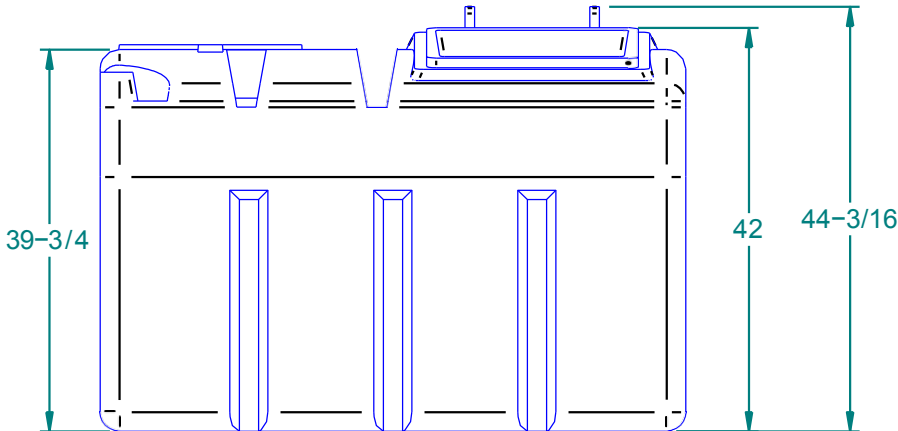
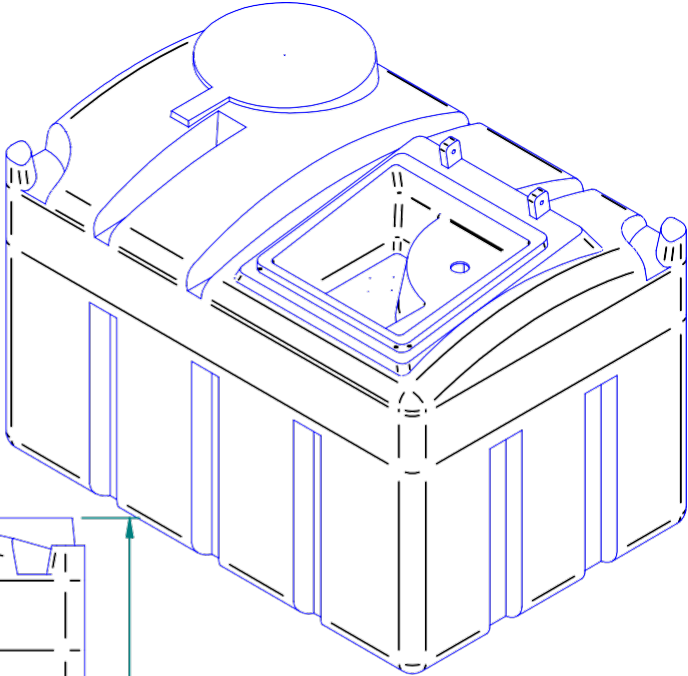
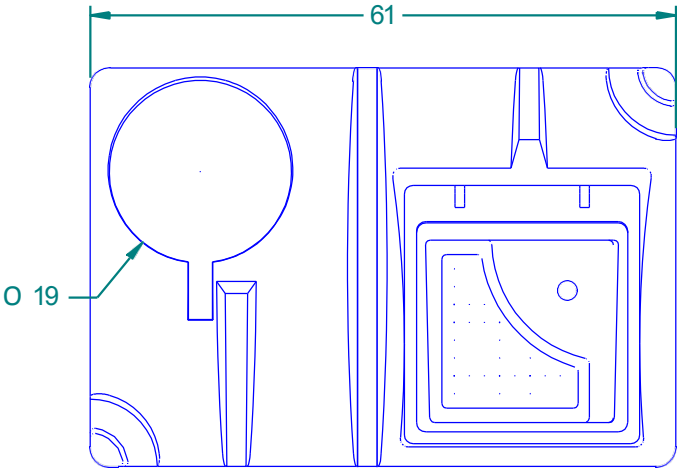
REV	DESCRIPTION	DATE	APPROVED	Revised By
A	INITIAL RELEASE	08/13/12		



Weight: 7.501 lbm	NAME	DATE	 <p>16160 Hwy 27 Lake Wales, FL 33859</p>
Wall Thickness: 0.125 in	DRAWN By: mnegron	8/13/2012	
Customer Part No: NA	Customer APPR		Customer: Dura-Cast Products, Inc
Print Date: 8/13/2012	Copyright ©2012 Dura-Cast Products, Inc.		Part Title: Bio Diesel Lid
Comments: - UNLESS OTHERWISE SPECIFIED DIMENSIONS ARE IN INCHES - Std Radii 3/16"	Tolerance: UNLESS OTHERWISE SPECIFIED TOLERANCES ARE ±1%		File Name: 325 Gal Bio Diesel Tank.dft
	Size: A	Material:	Rev: A
	Part No: g20300LID	Do Not Scale	Sheet: 2 OF 3

REVISION HISTORY

REV	DESCRIPTION	DATE	APPROVED	Revised By
A	INITIAL RELEASE	08/13/12		



Weight: 120.068 lbm	NAME	DATE	 16160 Hwy 27 Lake Wales, FL 33859
Wall Thickness: 0.250 in	DRAWN By: mnegron	8/13/2012	
Customer Part No: NA	Customer APPR		Customer: Dura-Cast Products, Inc
Print Date: 8/13/2012	Copyright ©2012 Dura-Cast Products, Inc.		Part Title: 325 Gal Bio Diesel Tank
Comments: - UNLESS OTHERWISE SPECIFIED DIMENSIONS ARE IN INCHES - Std Radii 3/16"	Tolerance: UNLESS OTHERWISE SPECIFIED TOLERANCES ARE ±1%		File Name: 325 Gal Bio Diesel Tank.dft
	Size: A	Material:	Rev: A
	Part No: 920300-2	Do Not Scale	Sheet: 3 OF 3