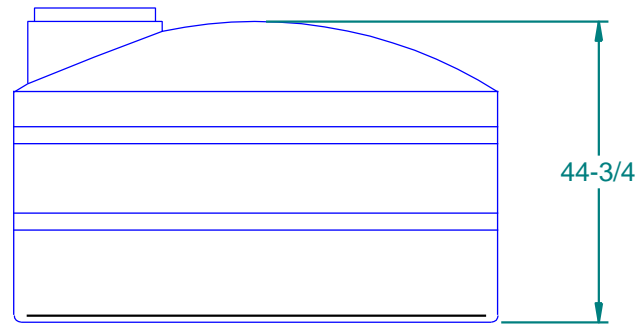
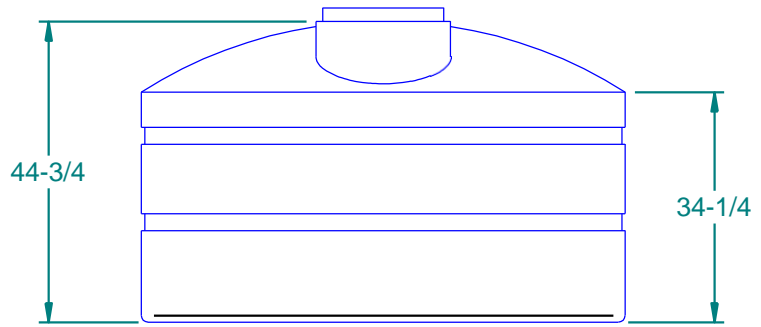
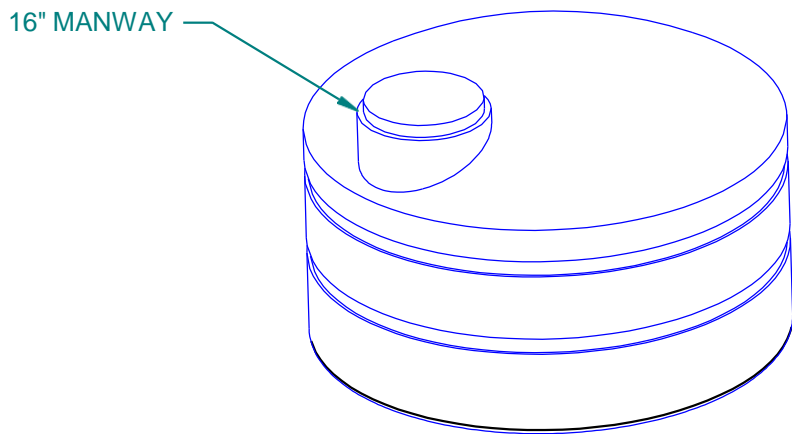
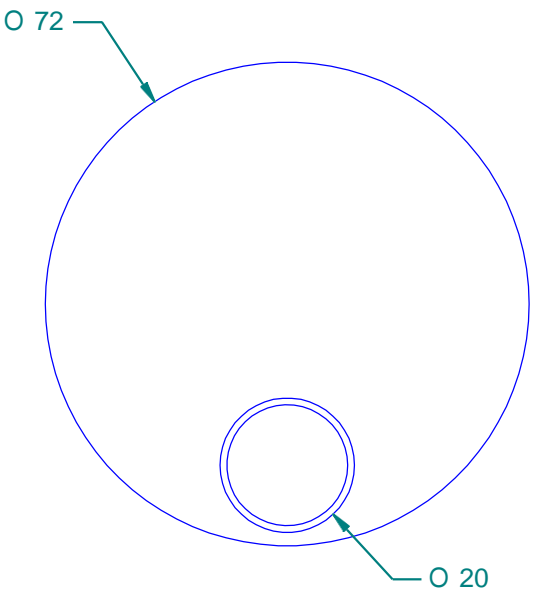



REVISION HISTORY

REV	DESCRIPTION	DATE	APPROVED	Revised By
A	Initial Design Release	5/8/2006		



Weight: NA		NAME	DATE	 16160 Hwy 27 Lake Wales, FL 33859
Wall Thickness: NA	DRAWN By: McConomy		5/8/2006	
Customer Part No: NA	Customer APPR			Customer: Dura-Cast Products, Inc.
Print Date: 9/18/2007	MFG APPR			Part Title: E-900 Gallon Vertical Tank
Comments:	Tolerance: UNLESS OTHERWISE SPECIFIED DIMENSIONS ARE IN INCHES ±1% Std Radii 3/16"	File Name: V700 (910700).dft		
		Size: A	Material: Polyethylene, LMDPE8460	Rev: A
		Part No: 910700	Do Not Scale	Sheet: 10F1