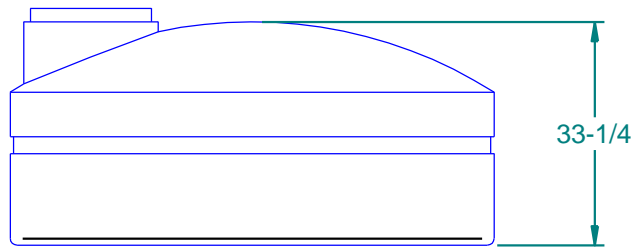
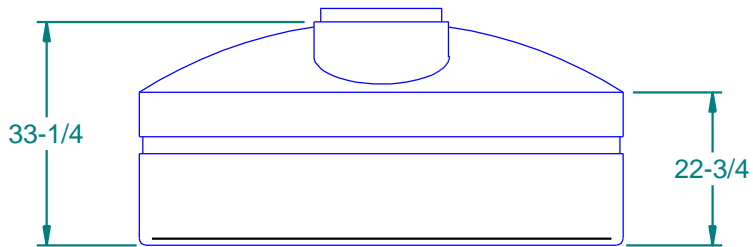
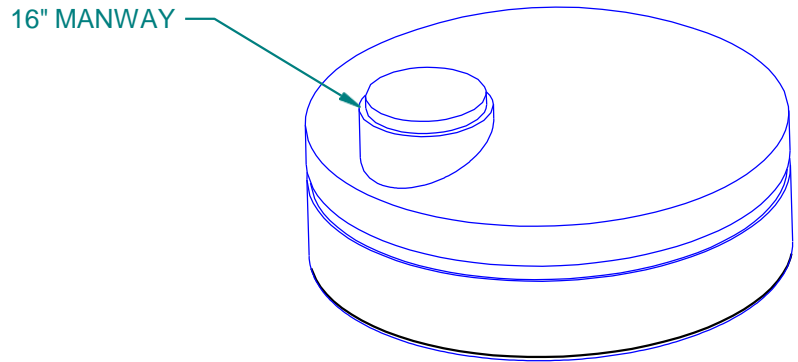
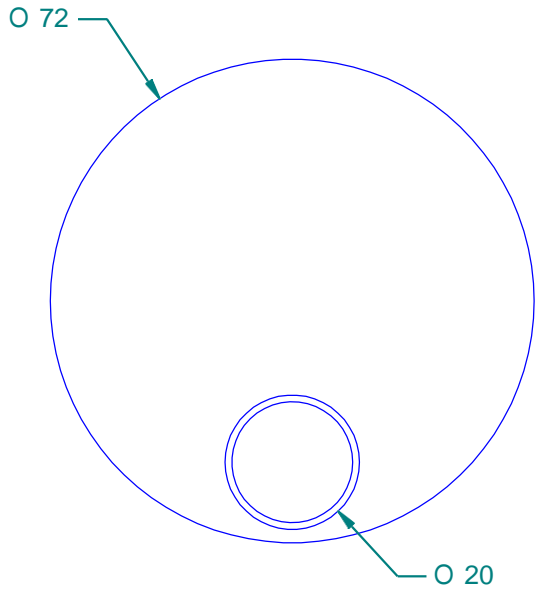



REVISION HISTORY				
REV	DESCRIPTION	DATE	APPROVED	Revised By
A	Initial Design Release	5/8/2006		



Weight: NA		NAME	DATE	 16160 Hwy 27 Lake Wales, FL 33859	
Wall Thickness: NA	DRAWN By: McConomy		5/8/2006		
Customer Part No: NA	Customer APPR				
Print Date: 9/18/2007	MFG APPR				
Comments:	Tolerance: UNLESS OTHERWISE SPECIFIED DIMENSIONS ARE IN INCHES ±1% Std Radii 3/16"		Customer: Dura-Cast Products, Inc. Part Title: E-500 Gallon Vertical Tank File Name: V/500 (910500).dft		
			Size: A	Material: Polyethylene, LMDPE8460	Rev: A
			Part No: 910500	Do Not Scale	Sheet: 1 OF 1