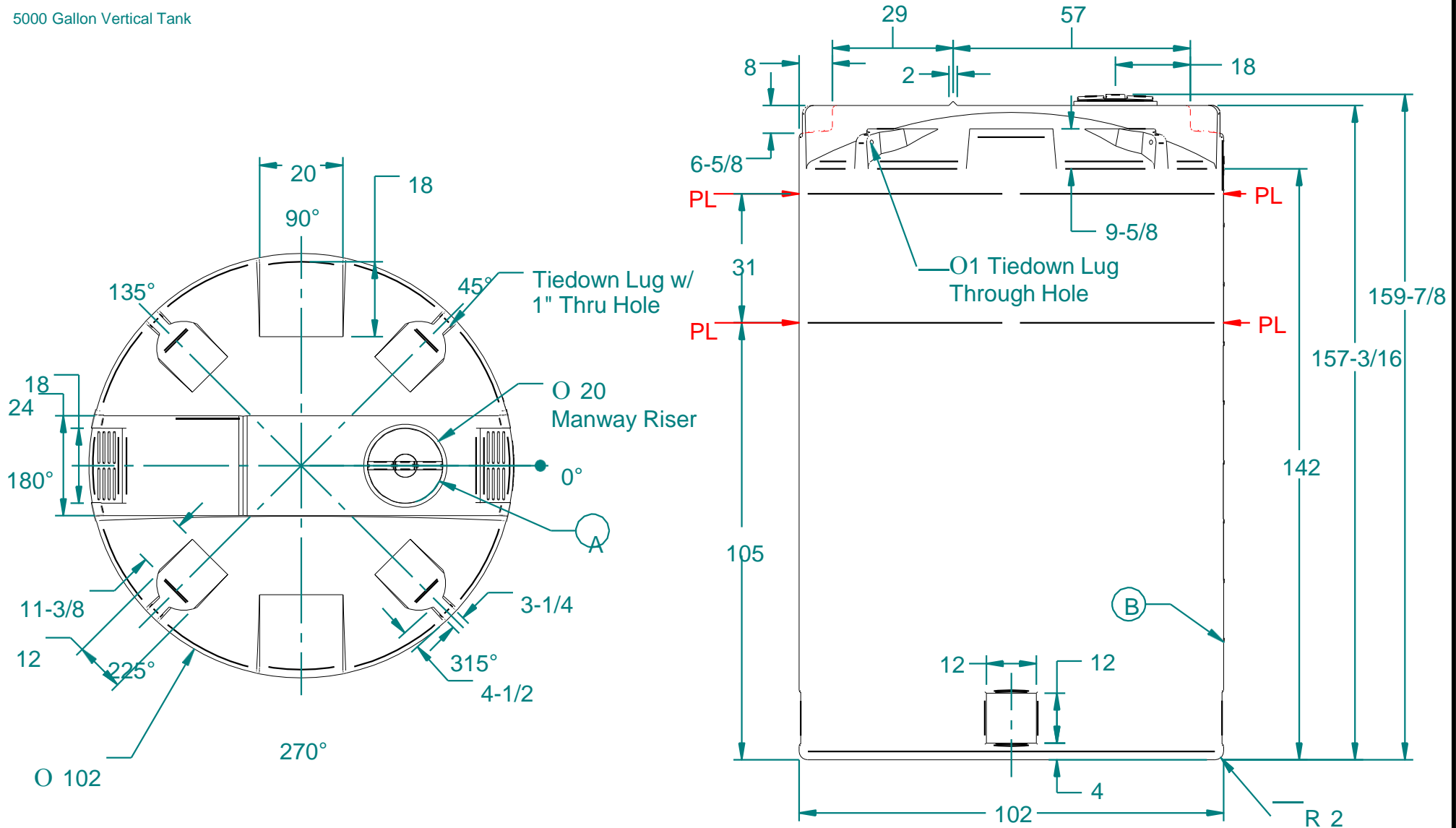



5000 Gallon Vertical Tank



A. 18" HDPE Threaded -Vented Manway W/ 16" Access, Black, W/ SS Screws (P/N 751016)

B. Calibrations at 0° in 500 Gal increments

Tank fittings to be installed at time of shipment as per Dura-Cast procedures

Weight: Dependent on specific gravity rating		NAME	DATE	 16160 Hwy 27 Lake Wales, FL 33859
Wall Thickness: Dependent on specific gravity rating	Drawn By:	SArant	1/22/2013	
Customer Part No: NA	Customer:	APFR		Customer: Dura-Cast Products, Inc.
Print Date: 11/7/2013	Copyright © 2013 Dura-Cast Products, Inc.		Part Title: 5000 Gallon Vertical Tank	
Comments: - UNLESS OTHERWISE SPECIFIED DIMENSIONS ARE IN INCHES - Std Radii 3/16"	UNLESS OTHERWISE SPECIFIED TOLERANCES ARE DIMS > 10" ± 1% DIMS < 10" ± 0.100 WALL THICKNESS ± 20% FLATNESS ± 0.30 in/in		File Name: 905001 5000 Gallon Vertical Tank.dft	
	Size: A	Material:	HDPE942	Rev:
	Part No:	905001	Do Not Scale	Sheet: 10F1