

REVISION HISTORY

REV	DESCRIPTION	DATE	APPROVED

Tie Downs (3)

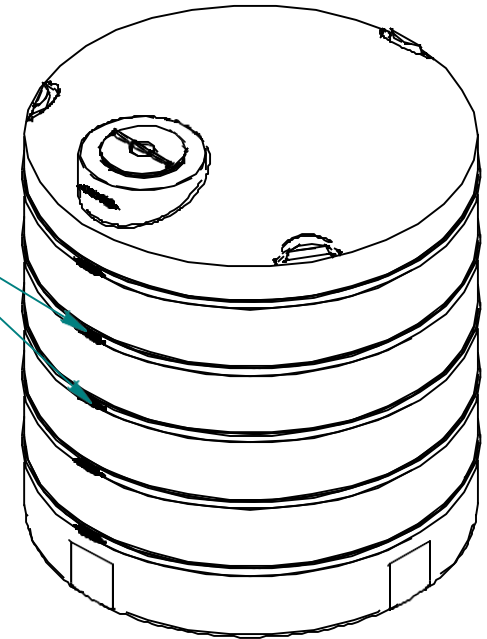
O 95.33
Hoop OD

O 94.33
Tank OD

O 26.67

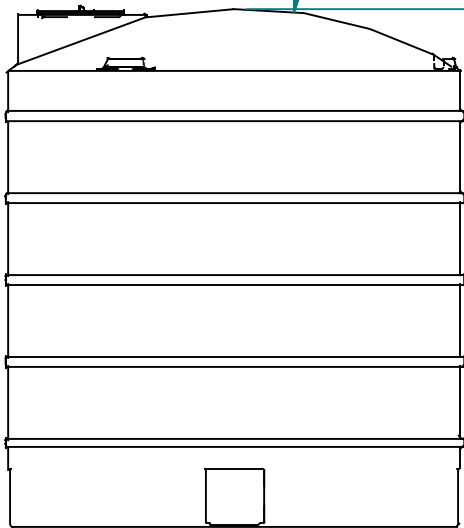
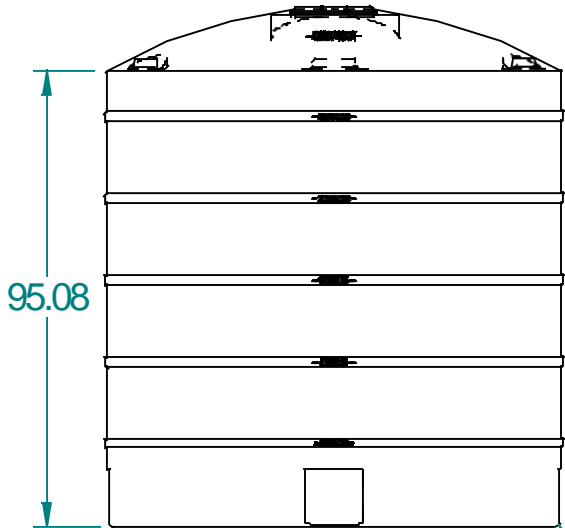
16" Manway Standard

Graduations



ISO View

R92.62



12.00
R1.00

Tank Calibration Marks in 500 Gallon Graduations On Each Hoop Center.
Tanks Are Available In Standard 12SPG, HD1.5SPG and SD1.9SPG, Custom Colors Optional



16160 Hwy 27 Lake Wales, FL 33859

	NAME	DATE
DRAWN	Michael1	4/4/2003
CHECKED		
ENG APPR		
MGR APPR		

TITLE V-3000 Gallon Tank		REV
SIZE A	MATERIAL: LMDPE Natural	

UNLESS OTHERWISE SPECIFIED
DIMENSIONS ARE IN INCHES
ANGLES ±0.5°
2 PL ±0.125" 3 PL ±0.060"

FILENAME V-3000Sales.dft		
PART# 903000	WEIGHT 0.000 lbm	SHEET 1 OF 1