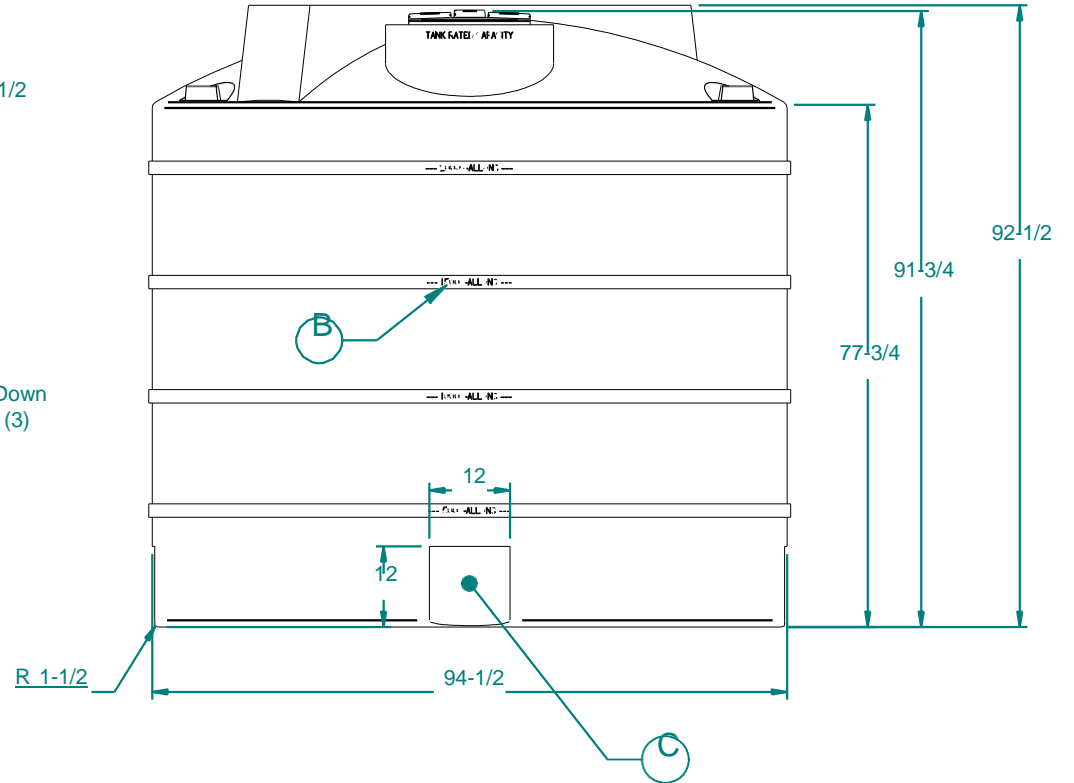
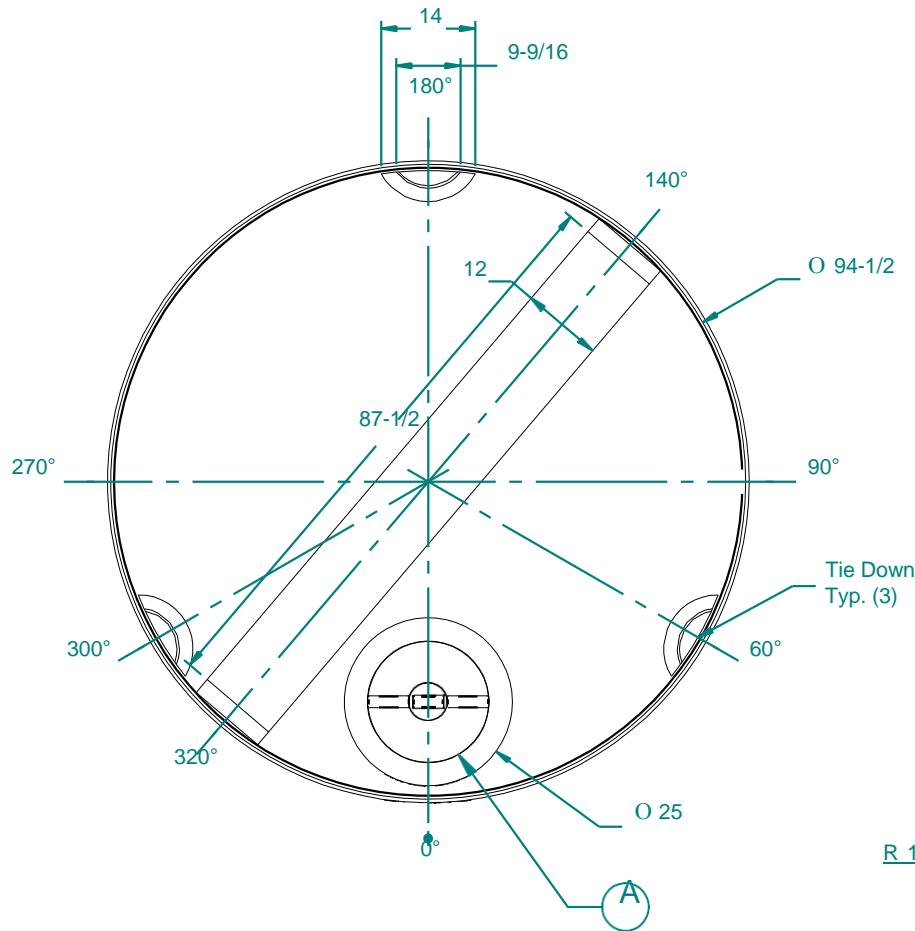



2500 Gallon Vertical Tank



A. 16" HDPE Threaded –Vented Manway W/ 6" Access, Black, W/ SS Screws (P/N 751016)
22" Manway Optional

B. Tank Calibration At 500 Gallon Increments

C. Tank fittings to be installed at time of shipment as per Dura-Cast procedures

Weight: Dependent on specific gravity rating	NAME	DATE	 16160 Hwy 27 Lake Wales, FL 33859 Customer: Dura-Cast Products, Inc.
Wall Thickness: Dependent on specific gravity rating	Drawn By: S.Arant	5/6/2015	
Customer Part No: NA	Customer APPR		Part Title: 2500 Gallon Vertical Tank
Print Date: 5/6/2015	Copyright 2015 Dura-Cast Products, Inc. UNLESS OTHERWISE SPECIFIED TOLERANCES ARE DIMS > 10" ±1% DIMS < 10" ±0.100 WALL THICKNESS ±20% FLATNESS ±.030 in/in		File Name: 902500 2500 Gallon Vertical Tank.dft
Comments: - UNLESS OTHERWISE SPECIFIED DIMENSIONS ARE IN INCHES - Std Radii 3/16"	Size: A	Material: HDPE	Rev.
	Part No: 902500	Do Not Scale	Sheet: 10F1