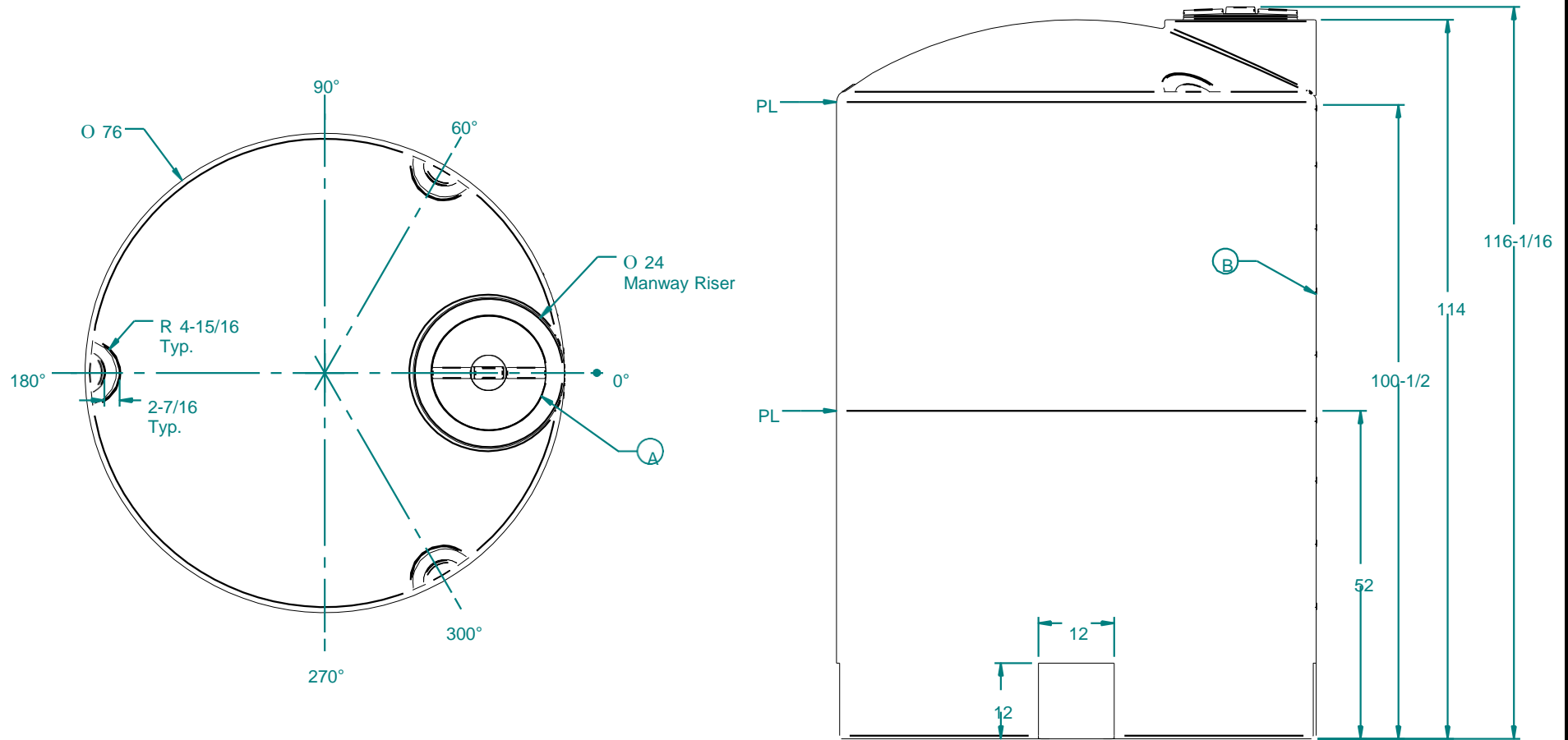



2200 Gal Vertical Tank



A. 16" HDPE Threaded -Vented Manway W/ 16" Access, Black, W/ SS Screws (P/N 751016)

B. Tank Calibration At 0 in 200 Gallon Increments

C. Tank fittings to be installed at time of shipment as per Dura-Cast procedures

Weight Dependent on specific gravity rating		NAME	DATE	 <p>16160 Hwy 27 Lake Wales, FL 33859</p>
Wall Thickness: Dependent on specific gravity rating	Drawn By:	S.Arant	7/25/2014	
Customer Part No: NA	Customer APPR			Customer: Dura-Cast Products, Inc.
Print Date: 7/25/2014	Copyright © 2014 Dura-Cast Products, Inc.			Part Title: 2200 Gal Vertical Tank
Comments: - UNLESS OTHERWISE SPECIFIED DIMENSIONS ARE IN INCHES - Std Radii 3/16"	UNLESS OTHERWISE SPECIFIED TOLERANCES ARE DIMS > 10" ± 1% DIMS < 10" ± 0.100 WALL THICKNESS ± 20% FLATNESS ± .030 in/in			File Name: 2200 Gal Vertical Tank.dft
	Size: A	Material:	HDPE 942	Rev.
Part No: 902200		Do Not Scale	Sheet:	10F1