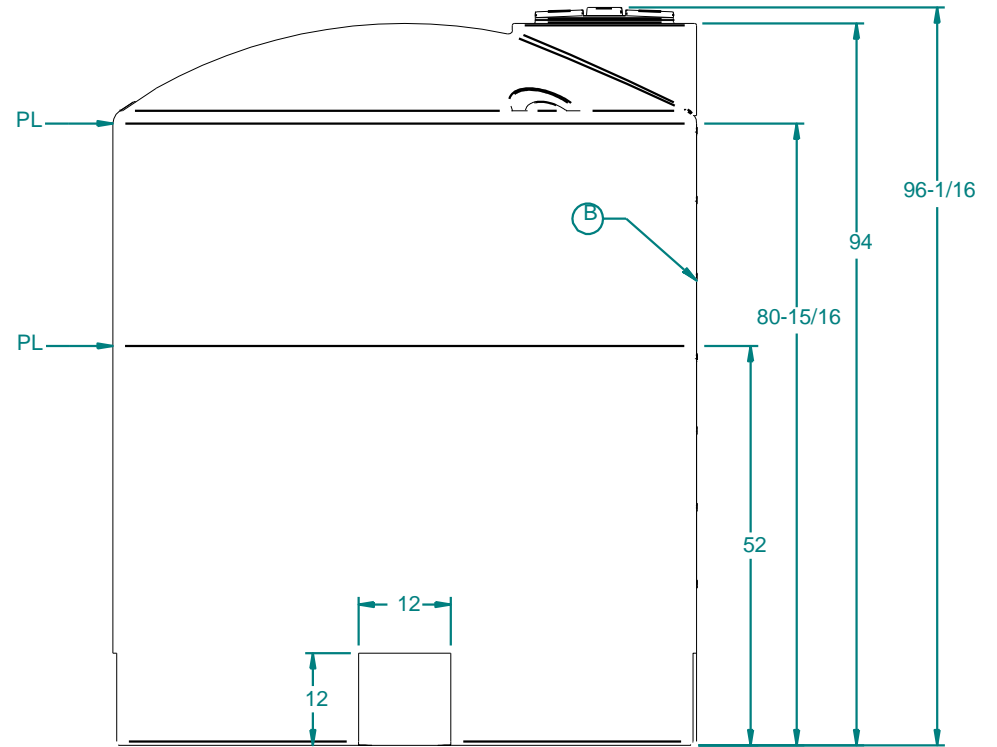
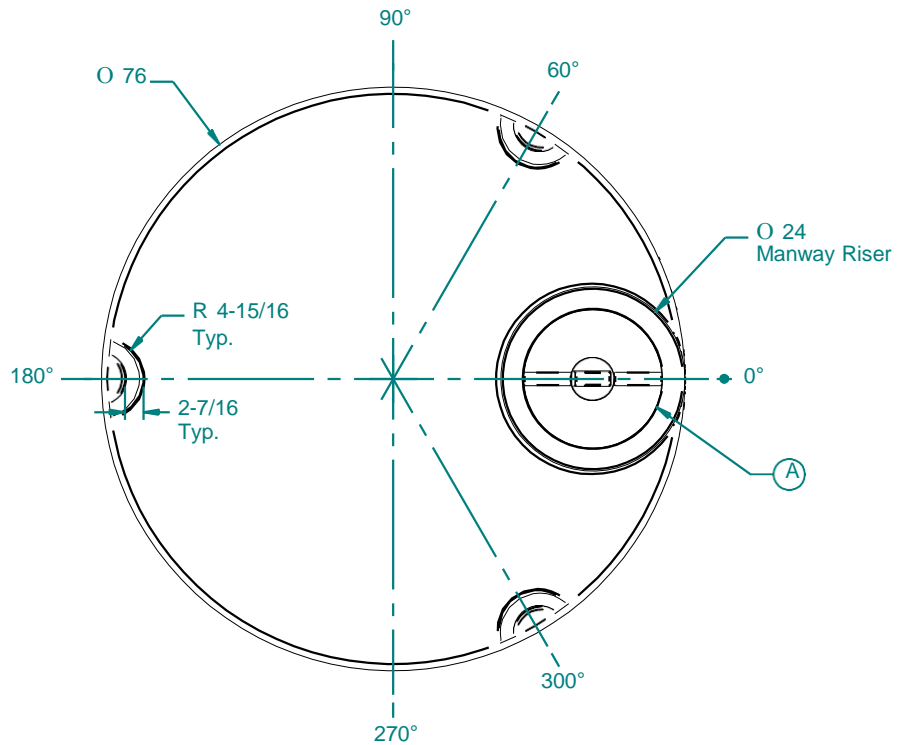



1700 Gallon Vertical Tank



A. 16" HDPE Threaded -Vented Manway W/ 16" Access, Black, W/ SS Screws (P/N 751016)

B. Tank Calibration At  $\phi$  in 200 Gallon Increments

C. Tank fittings to be installed at time of shipment as per Dura-Cast procedures

Weight: Dependent on specific gravity rating		NAME	DATE	 16160 Hwy 27 Lake Wales, FL 33859 Customer: Dura-Cast Products, Inc.	
Wall Thickness: Dependent on specific gravity rating	Drawn By:	S.Arant	7/25/2014		
Customer Part No: NA	Customer APPR			Part Title: 1700 Gallon Vertical Tank	
Print Date: 7/25/2014	Copyright © 2014 Dura-Cast Products, Inc.			File Name: 1700 Gal Vertical Tank.dft	
Comments: - UNLESS OTHERWISE SPECIFIED DIMENSIONS ARE IN INCHES - Std Radii 3/16"	UNLESS OTHERWISE SPECIFIED TOLERANCES ARE DIMS > 10" ± 1% DIMS < 10" ± 0.100 WALL THICKNESS ± 20% FLATNESS ± .030 in/in		Size: A	Material: HDPE942	Rev.
			Part No: 901750	Do Not Scale	Sheet: 10F1