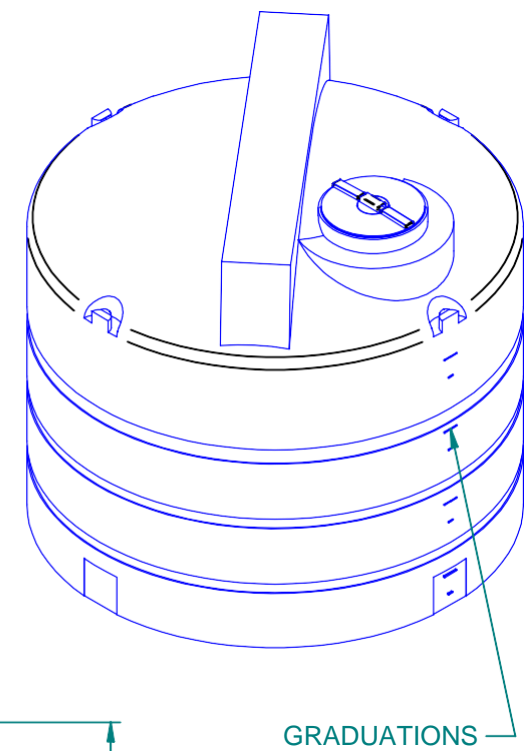
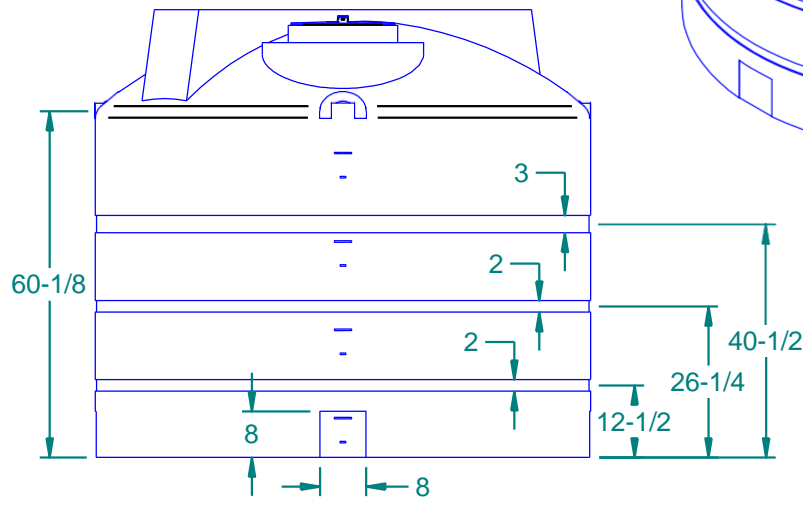
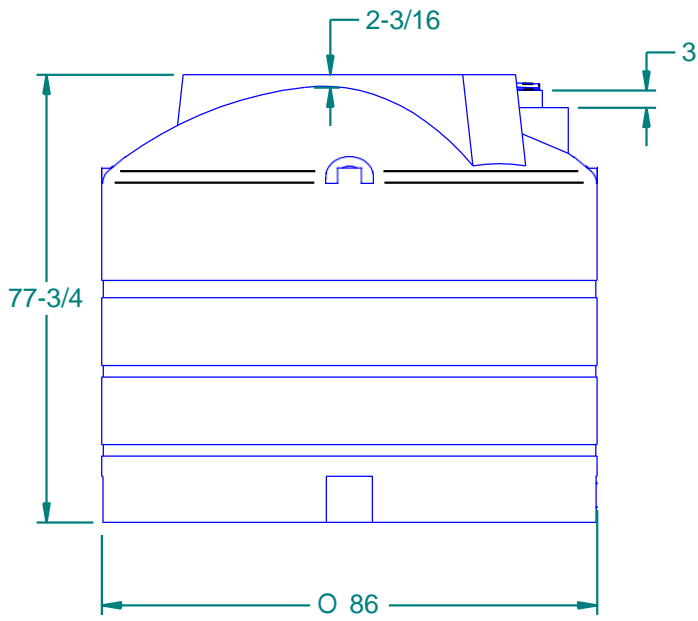
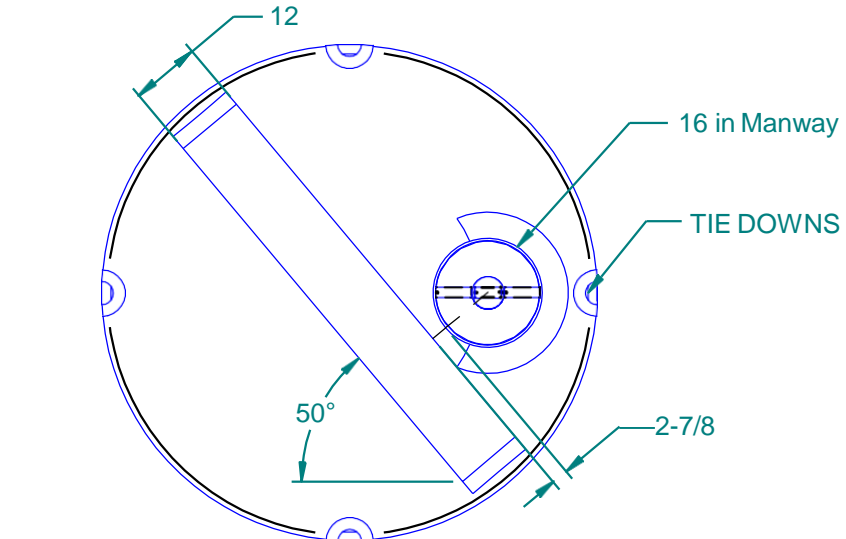



MAIN PRODUCT INFORMATION



REVISION HISTORY

REV	DESCRIPTION	DATE	APPROVED	Revised By
10	ADDED 3" RING TO INCREASE CAPACITY	02/11/10		

Weight: 244.564 lbm	NAME	DATE	 16160 Hwy 27 Lake Wales, FL 33859
Wall Thickness: 0.250 in	Drawn By: mnegron	2/11/2010	
Customer Part No: n/a	Customer APPR		Customer: Dura-Cast Products, Inc.
Print Date: 2/15/2010	Copyright © 2007 Dura-Cast Products, Inc.		Part Title: 1650 Gal Vertical Tank
Comments: - UNLESS OTHERWISE SPECIFIED DIMENSIONS ARE IN INCHES - Std Radii 3/16"	Tolerance: UNLESS OTHERWISE SPECIFIED TOLERANCES ARE ±1%		File Name: V-1650 Vertical (Flat Top) 02.dft
	Size: A	Material: Polyethylene, low density	Rev: 10
	Part No: 901650-A0100XX1	Do Not Scale	Sheet: 10F1