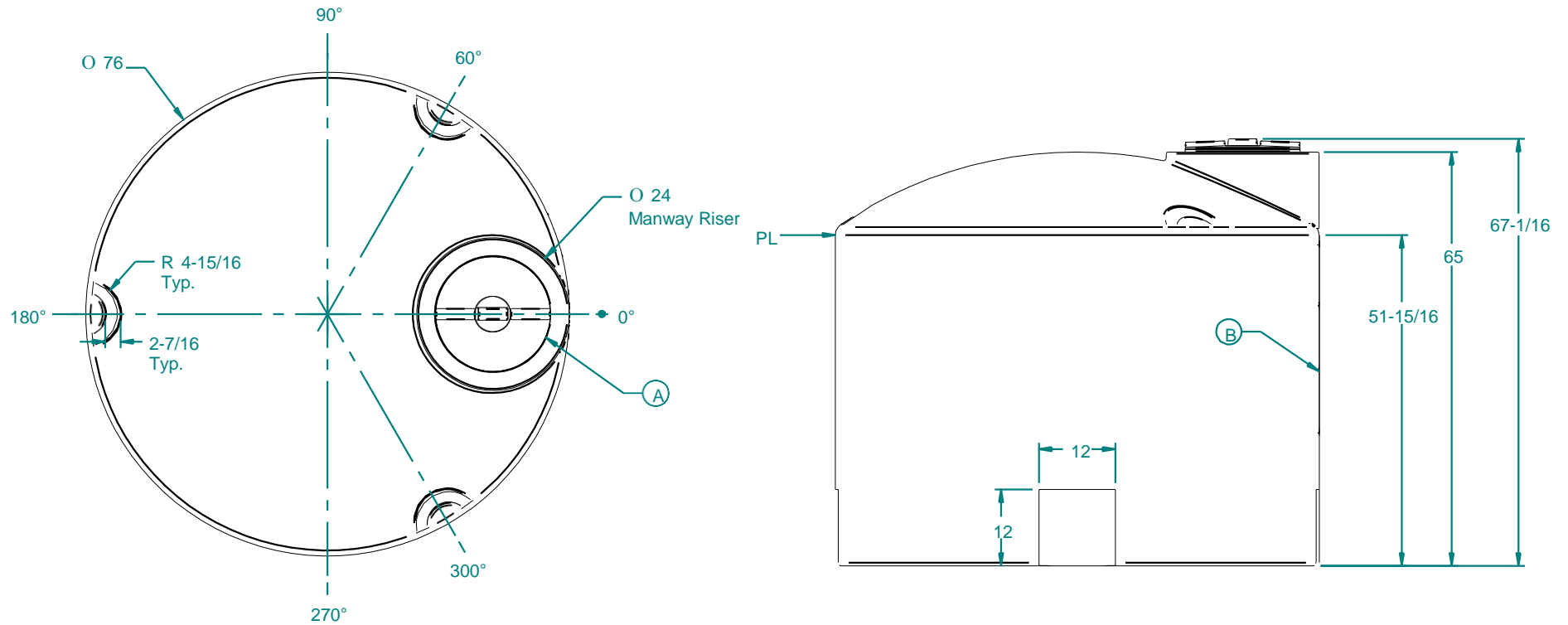



1200 Gallon Vertical Tank



A. 16" HDPE Threaded -Vented Manway W/ 16" Access, Black, W/ SS Screws (P/N 751016)

B. Tank Calibration At  $\phi$  in 200 Gallon Increments

C. Tank fittings to be installed at time of shipment as per Dura-Cast procedures

|   |  |          |           |  |
|---|--|----------|-----------|--|
| Weight:<br>Dependent on specific gravity rating   |  | NAME     | DATE      | <br>16160 Hwy 27 Lake Wales, FL 33859<br>Customer: Dura-Cast Products, Inc. |
| Wall Thickness:<br>Dependent on specific gravity rating                                 | Drawn By:  | S. Arant | 7/25/2014 |  |
| Customer Part No:<br>NA   | Customer APPR  |          |           | Part Title: 1200 Gallon Vertical Tank  |
| Print Date:<br>7/25/2014  | Copyright © 2014<br>Dura-Cast Products, Inc.   |          |           | File Name: 1200 Gal Vertical Tank.dft  |
| Comments:<br>- UNLESS OTHERWISE SPECIFIED DIMENSIONS ARE IN INCHES<br>- Std Radii 3/16" | UNLESS OTHERWISE SPECIFIED TOLERANCES ARE<br>DIMS > 10" ± 1% DIMS < 10" ± 0.100<br>WALL THICKNESS ± 20%<br>FLATNESS ± .030 in/in |          |           | Size: A<br>Material: HDPE942<br>Rev.   |
|   |  |          |           | Part No: 901200<br>Do Not Scale<br>Sheet: 10F1   |