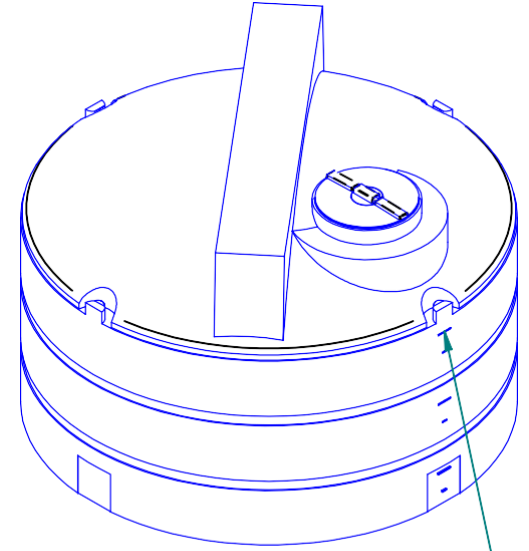
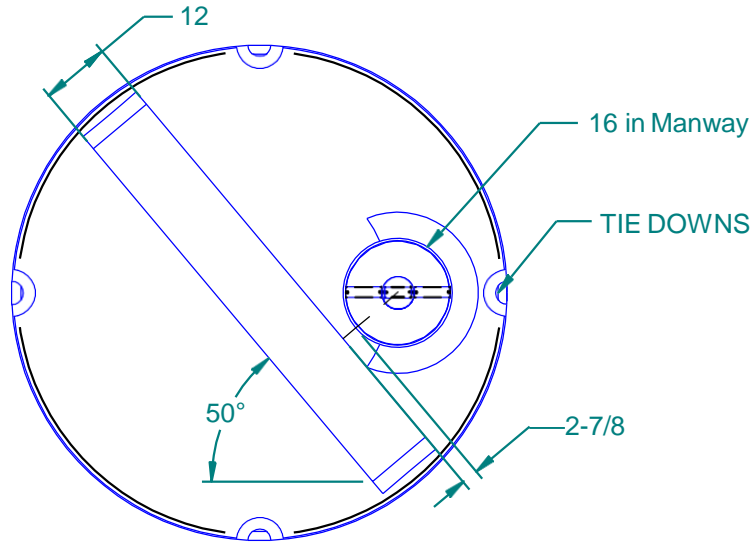


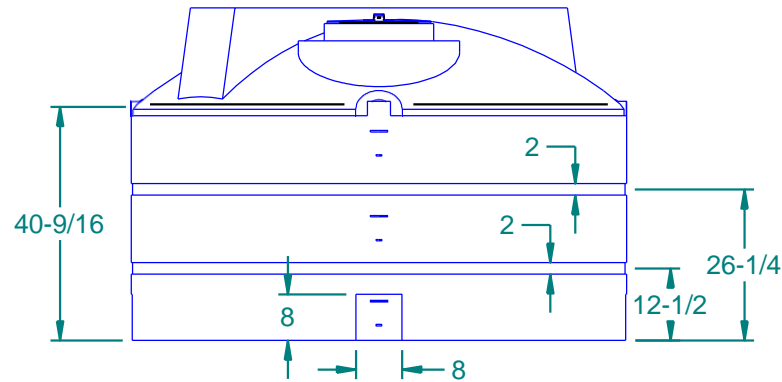
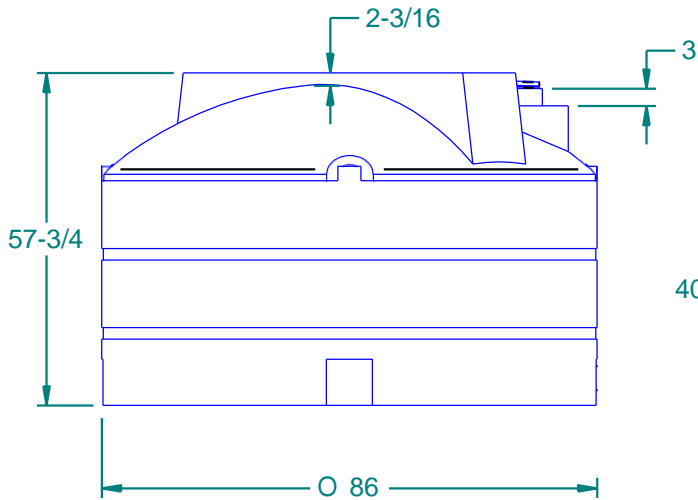
MAIN PRODUCT INFORMATION


REVISION HISTORY

REV	DESCRIPTION	DATE	APPROVED	Revised By
10	ADDED 3" RING TO INCREASE CAPACITY	02/11/10		



GRADUATIONS



Weight: 244.564 lbm	NAME	DATE	 <p>16160 Hwy 27 Lake Wales, FL 33859</p>
Wall Thickness: 0.250 in	Drawn By: mnegron	3/31/2011	
Customer Part No: n/a	Customer APPR		Customer: Dura-Cast Products, Inc.
Print Date: 3/31/2011	Copyright © 2007 Dura-Cast Products, Inc.		Part Title: 1100Gal Vertical Tank
Comments: - UNLESS OTHERWISE SPECIFIED DIMENSIONS ARE IN INCHES - Std Radii 3/16"	Tolerance: UNLESS OTHERWISE SPECIFIED TOLERANCES ARE ±1%		File Name: V-1100 Vertical (Flat Top) 02.dft
	Size: A	Material: Polyethylene, low density	Rev: 10
	Part No: 901100-A0100XX1	Do Not Scale	Sheet: 10 of 1