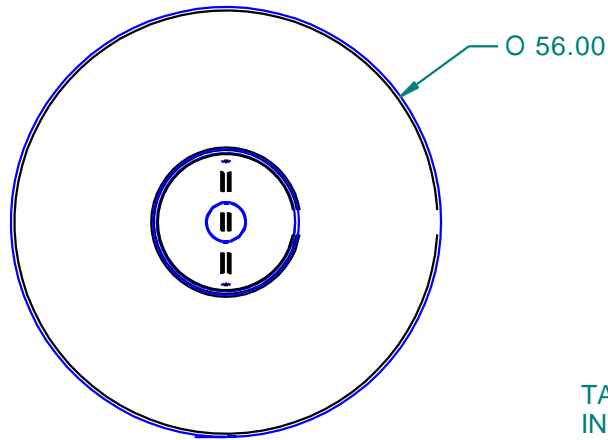


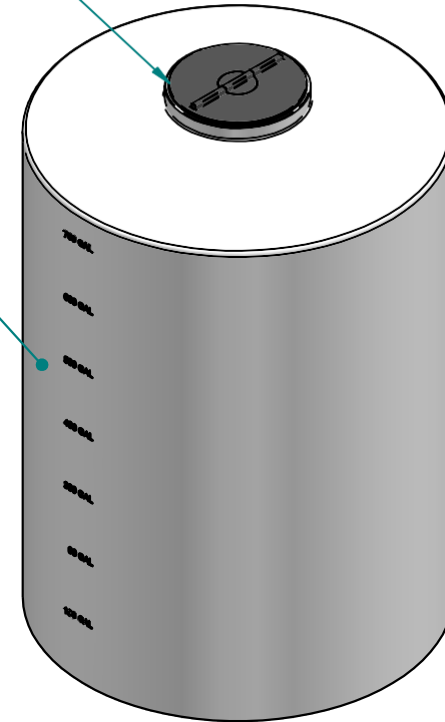
Top View



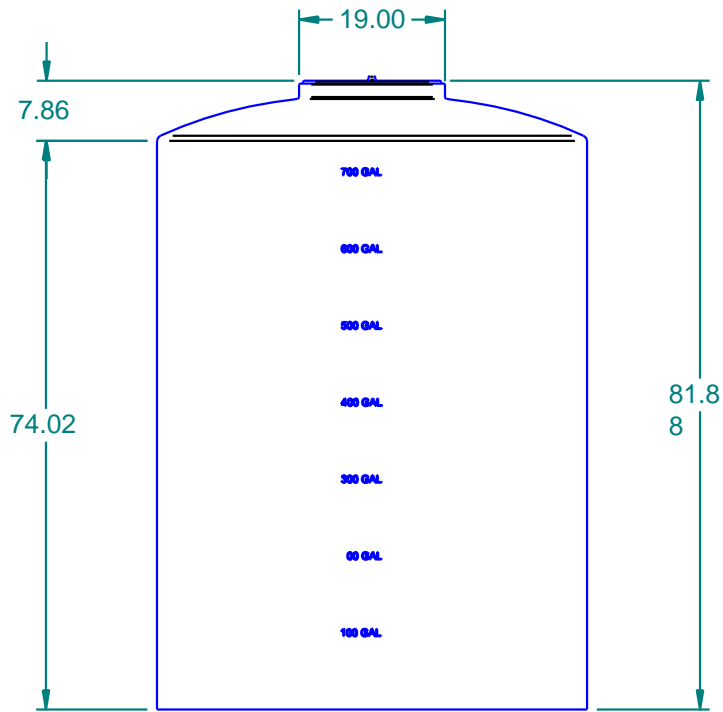
REVISION HISTORY			
RE	DESCRIPTION	DATE	APPROVED
V		E	

16" MANWAY

TANK IS CALIBRATED IN 100 GAL INCREMENTS



IS View
O w



Side View

wall thickness: .350"

<table border="1"> <thead> <tr> <th>NAME</th> <th>DATE</th> </tr> </thead> <tbody> <tr> <td>mnegro</td> <td>1/12/2005</td> </tr> <tr> <td>n</td> <td></td> </tr> <tr> <td></td> <td></td> </tr> <tr> <td></td> <td></td> </tr> <tr> <td></td> <td></td> </tr> </tbody> </table>			NAME	DATE	mnegro	1/12/2005	n									
NAME	DATE															
mnegro	1/12/2005															
n																
16160 Hwy 27 Lake Wales, FL 33859			TITL V-850 Gallon Tank													
E SIZE		MATERIAL 1LLDPE Resin NATURAL		RE V												
FILE NAME: V-850Vertical.dft																
PART#: 900850		WEIGHT: 212839lbm		SHEET 1 OF 1												

UNLESS OTHERWISE SPECIFIED
DIMENSIONS ARE IN INCHES
ANGLES ±0.5°
2 PL ±0.125" 3 PL ±0.060"