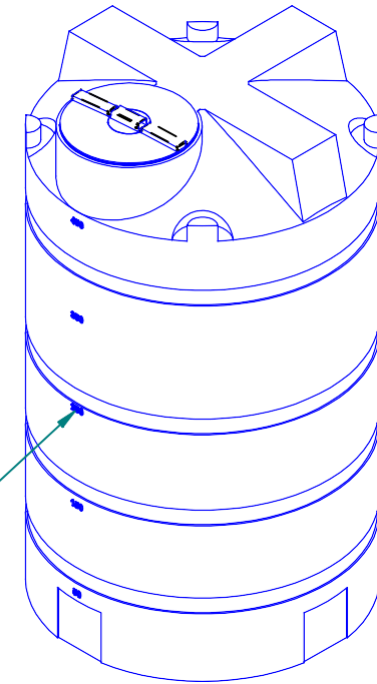
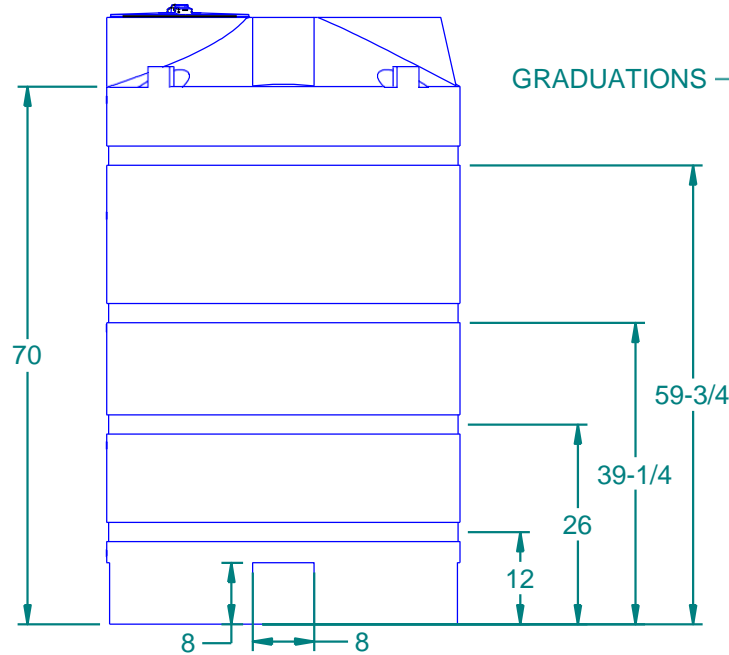
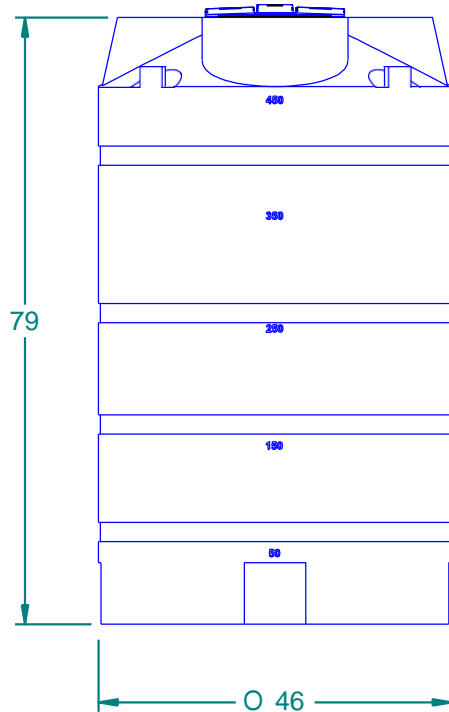
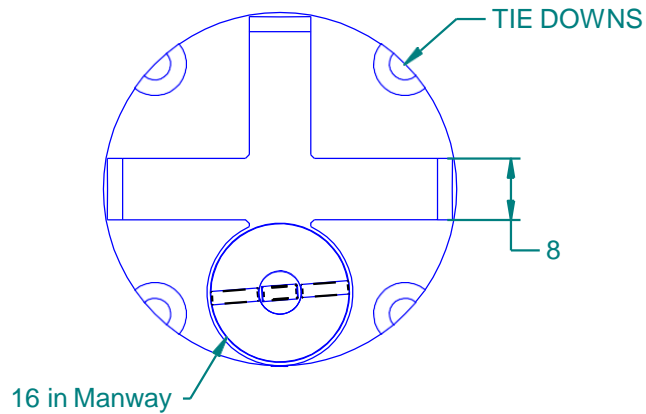



MAIN PRODUCT INFORMATION

REVISION HISTORY

REV	DESCRIPTION	DATE	APPROVED	Revised By
B	Redesigned Top and B/H Fitting Areas	04/08/09		



Weight: 78.855 lbm	NAME	DATE	 <p>16160 Hwy 27 Lake Wales, FL 33859</p>
Wall Thickness: 0.250 in	Drawn By: mnegron	4/8/2009	
Customer Part No: n/a	Customer APPR		Customer: Dura-Cast Products, Inc.
Print Date: 4/8/2009	Copyright © 2007 Dura-Cast Products, Inc.		Part Title: 525 Gal Vertical Tank
Comments: - UNLESS OTHERWISE SPECIFIED DIMENSIONS ARE IN INCHES - Std Radii 3/16"	Tolerance: UNLESS OTHERWISE SPECIFIED TOLERANCES ARE ±1%		File Name: 525 Gal Vertical Tank.dft
	Size: A	Material: Polyethylene, low density	Rev: B
Part No: 900525-A0100XX1	Do Not Scale	Sheet: 10F1	