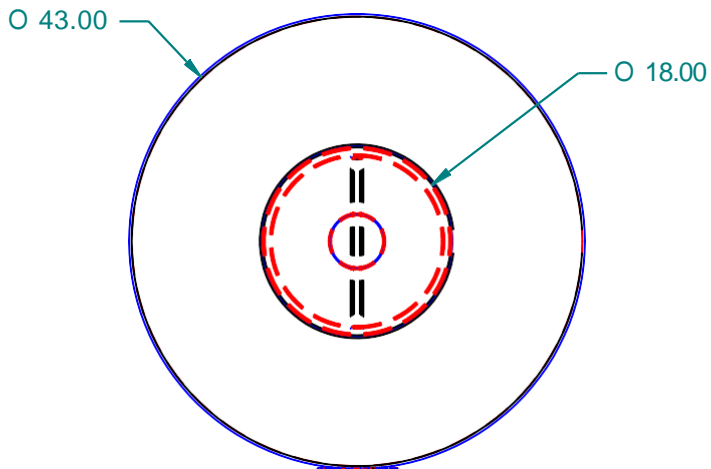
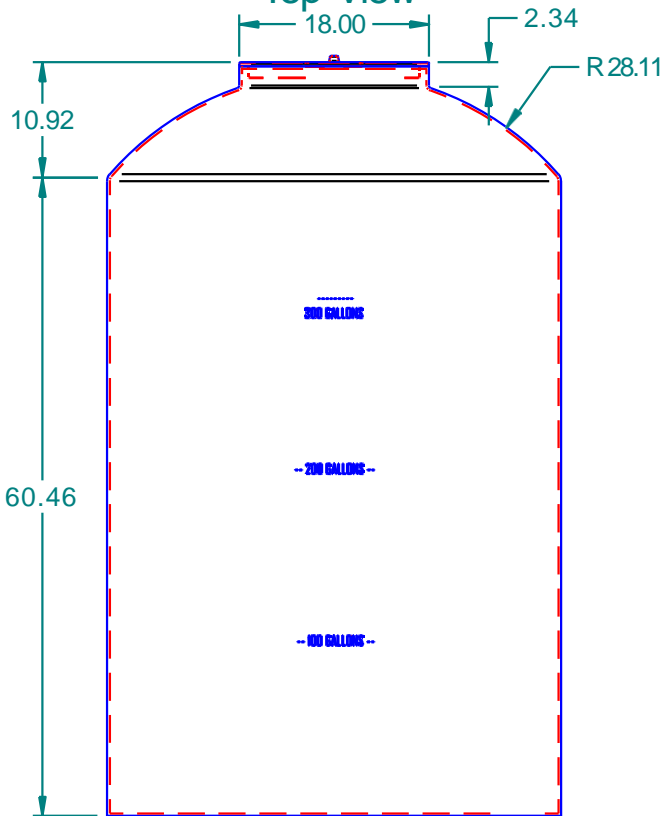


REVISION HISTORY			
REV	DESCRIPTION	DATE	APPROVED

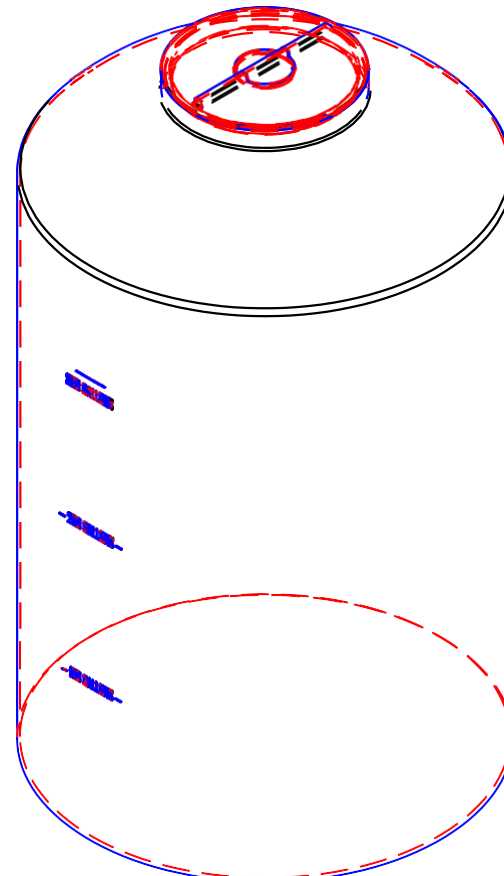


Top View



Side View

tank is calibrated in 100 gallon increments



ISO View

wall thickness: 1.5 SPG

400 Gallon Capacity

	NAME	DATE
DRAWN	mputt	3/2/2004
CHECKED		
ENG APPR		
MGR APPR		



16160 Hwy 27 Lake Wales, FL 33859

TITLE 400 Gallon Vertical Tank

SIZE	MATERIAL	REV
A	Imdpe resin (100)	

UNLESS OTHERWISE SPECIFIED  
DIMENSIONS ARE IN INCHES  
ANGLES ±0.5°  
2 PL ±0.125" 3 PL ±0.060"

FILE NAME: V400 Assy.dft

PART#: 900400HD	WEIGHT: 95.906 lbm	SHEET 1 OF 1
-----------------	--------------------	--------------