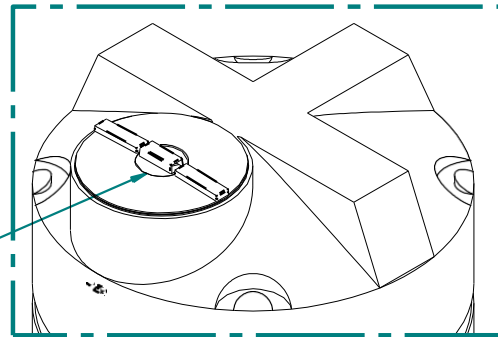
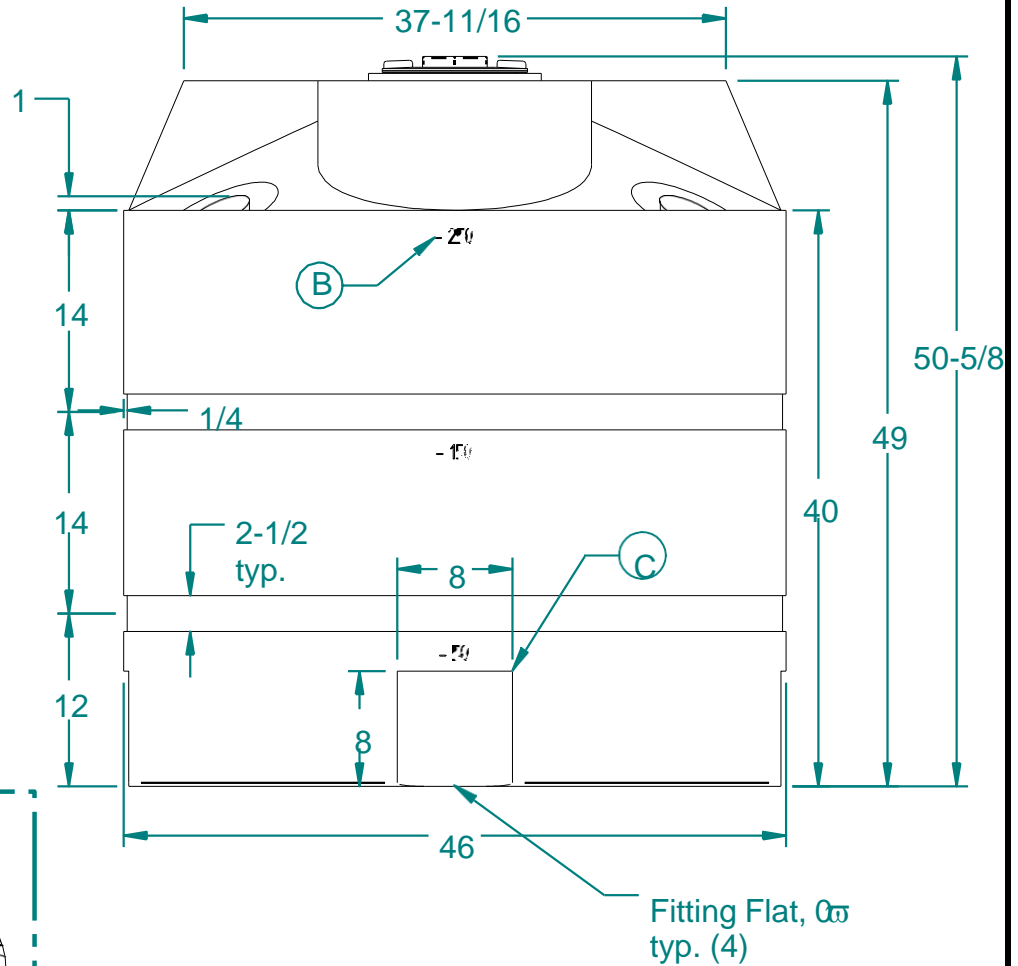
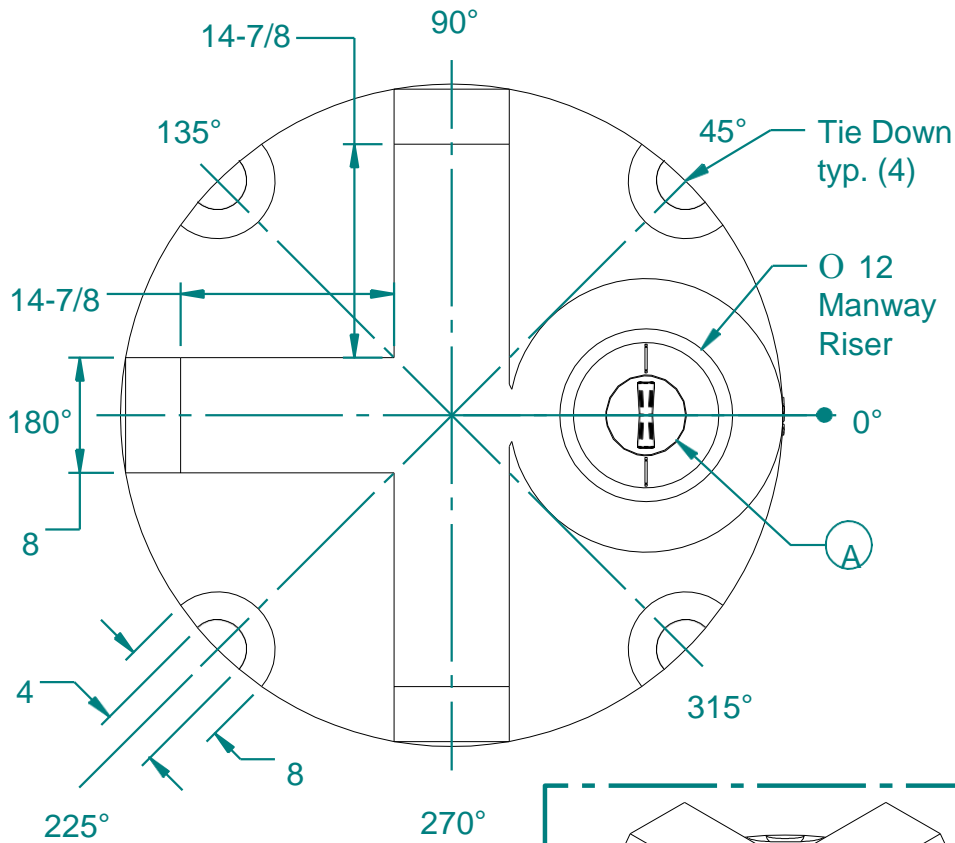



900330 330 Gallon Vertical Tank



Optional 16" HDPE Threaded - Vented Manway (P/N 751016)

- A. 8" HDPE Threaded -Vented Manway W/ 8" Access, Black, W/ SS Screws (P/N 751008)
- B. Tank Calibration At ϕ in 100Gallon Increments Beginning At 50 Gallons
- C. Tank fittings to be installed at time of shipment as per Dura-Cast procedures

Weight Dependent on specific gravity rating		NAME	DATE	
Wall Thickness: Dependent on specific gravity rating	Drawn By:	S.Arant	12/15/2014	
Customer Part No: N/A	Customer APPR			16160 Hwy 27 Lake Wales, FL 33859
Print Date: 12/15/2014		Copyright © 2014 Dura-Cast Products, Inc.		Customer: Dura-Cast Products, Inc.
Comments: - UNLESS OTHERWISE SPECIFIED DIMENSIONS ARE IN INCHES - Std Radii 3/16"		UNLESS OTHERWISE SPECIFIED TOLERANCES ARE DIMS > 10" ±1% DIMS < 10" ±0.100 WALL THICKNESS ±20% FLATNESS ±.030 in/in		Part Title: 900330 330 Gallon Vertical Tank
				File Name: 900330 330 Gallon Vertical Tank.dft
				Size: A Material: LLDPE 939
				Part No: 900330 Do Not Scale Sheet: 10F1