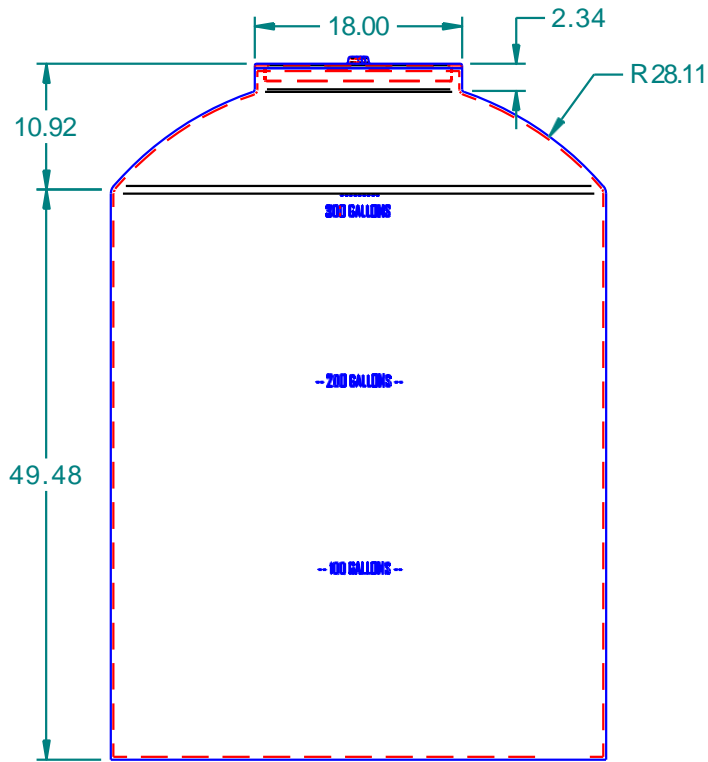
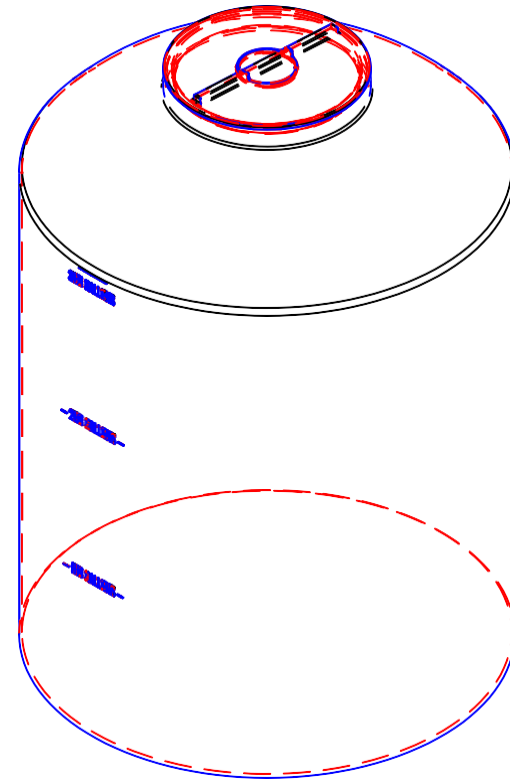


Top View



Side View

tank is calibrated  
in 100 gallon  
increments



ISO View

REVISION HISTORY

REV	DESCRIPTION	DATE	APPROVED

wall thickness: 1.5 SPG

325 Gallon Capacity

	NAME	DATE
DRAWN	mputt	3/2/2004
CHECKED		
ENG APPR		
MGR APPR		

**DURACAST**  
16160 Hwy 27 Lake Wales, FL 33859

**TITLE** V-325 Gallon Tank

**SIZE** A **MATERIAL** mdpe resin (100) **REV**

**FILE NAME:** V325 Assy.dft

**PART#:** 900325HD **WEIGHT:** 31.745lbm **SHEET 1 OF 1**

UNLESS OTHERWISE SPECIFIED  
DIMENSIONS ARE IN INCHES  
ANGLES ±0.5°  
2 PL ±0.125" 3 PL ±0.060"