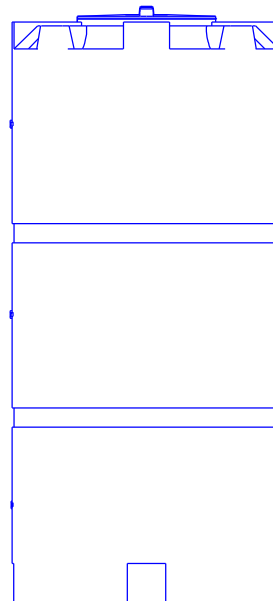
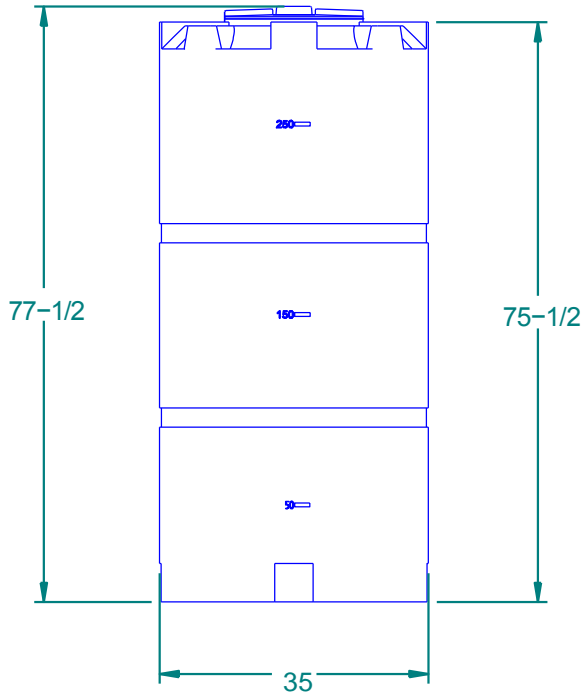
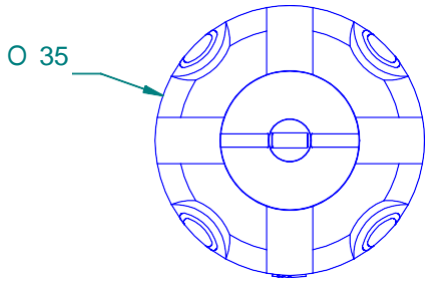
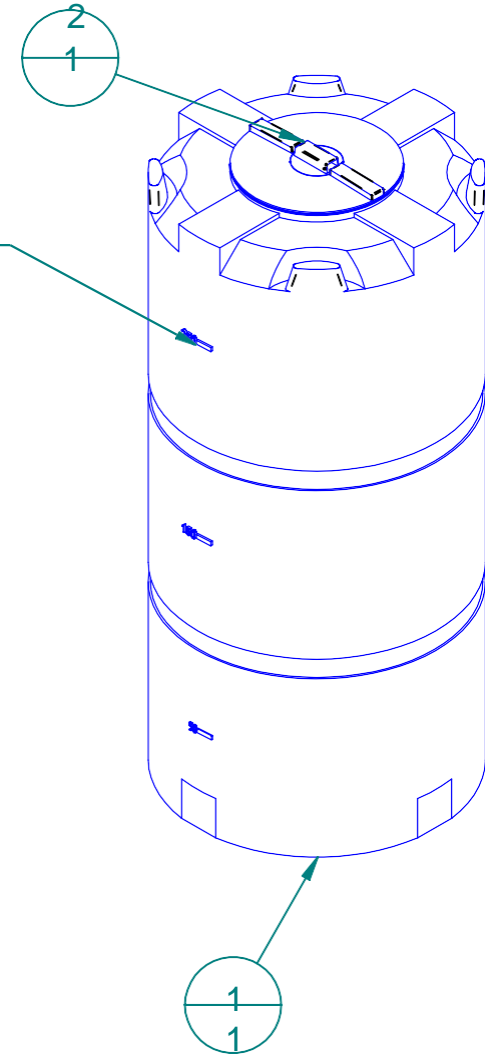


REVISION HISTORY


REV	DESCRIPTION	DATE	APPROVED	Revised By
10	UPDATED DRAWING ACCORDING TO CURRENT TANK	04/15/11		



TANK IS CALIBRATED IN 50 GAL INCREMENTS



Item Number	Document Number	Title	Material	Quantity
1	900300	300 Gal Vertical Tank Trimmed	Polyethylene, low density	1
2*	751016	16in Vented Manway		1

Weight: 84.595 lbm	NAME	DATE	 16160 Hwy 27 Lake Wales, FL 33859 Customer: Dura-Cast Products, Inc. Part Title: 300 Gallon Vertical Tank File Name: 300 Gal Water Tank 02.cdf
Wall Thickness: 0.25	DRAWN By: mnegron	7/27/2007	
Customer Part No: Not Available	Customer: AFPR		
Print Date: 4/15/2011	MFG/APP: AFPR		
Comments:	Tolerance: UNLESS OTHERWISE SPECIFIED DIMENSIONS ARE IN INCHES ±1% Std Rad 3/16"		Size: A Material: Part No: 900300 Do Not Scale Sheet 10 of 1