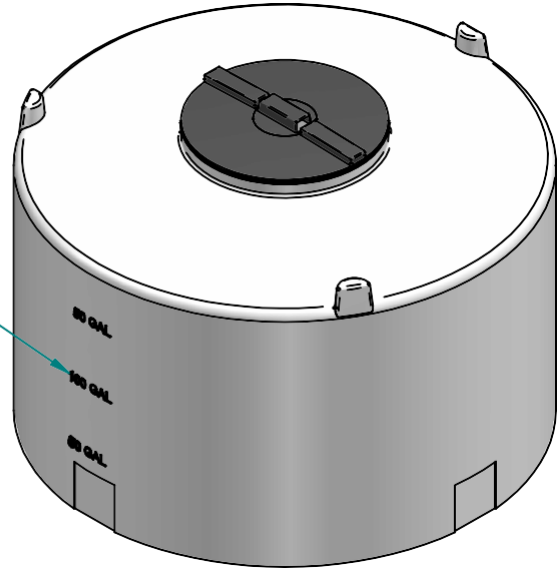
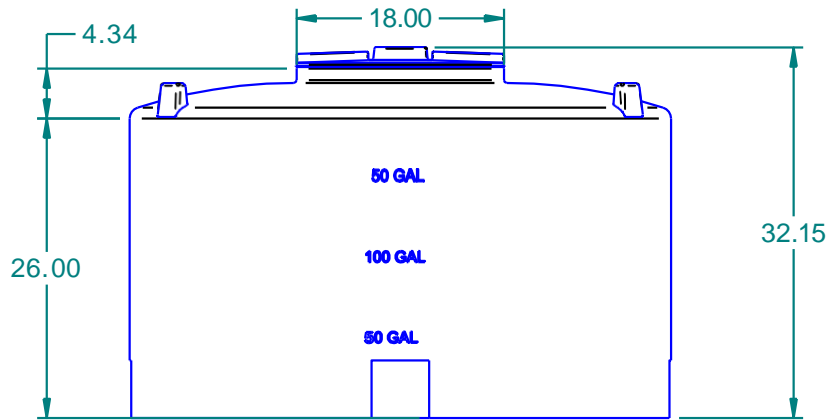


Top View

TANK IS CALIBRATED IN 50 GAL INCREMENTS




ISO View



Side View

wall thickness:0.187"

REVISION HISTORY			
REV	DESCRIPTION	DATE	APPROVED
10	UPDATED DRAWING ACCORDING TO CURRENT TANK	04/15/11	

		 16160 Hwy 27 Lake Wales, FL 33859										
<table border="1"> <thead> <tr> <th>NAME</th> <th>DATE</th> </tr> </thead> <tbody> <tr> <td>mnegron</td> <td>4/15/2011</td> </tr> <tr> <td>CHECKED</td> <td></td> </tr> <tr> <td>ENG APPR</td> <td></td> </tr> <tr> <td>MGR APPR</td> <td></td> </tr> </tbody> </table>	NAME			DATE	mnegron	4/15/2011	CHECKED		ENG APPR		MGR APPR	
NAME	DATE											
mnegron	4/15/2011											
CHECKED												
ENG APPR												
MGR APPR												
UNLESS OTHERWISE SPECIFIED DIMENSIONS ARE IN INCHES ANGLES ±0.5° 2 PL ±0.125" 3 PL ±0.060"		SIZE A	MATERIAL: LMDPE	REV 10								
		FILE NAME: V-200 Vertical.dft										
		PART#: 900200	WEIGHT: 45.944 lbm	SHEET 1 OF 1								