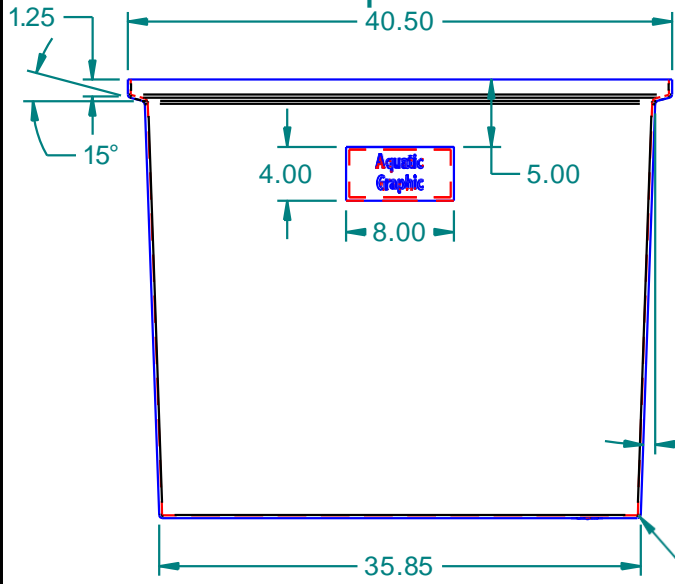
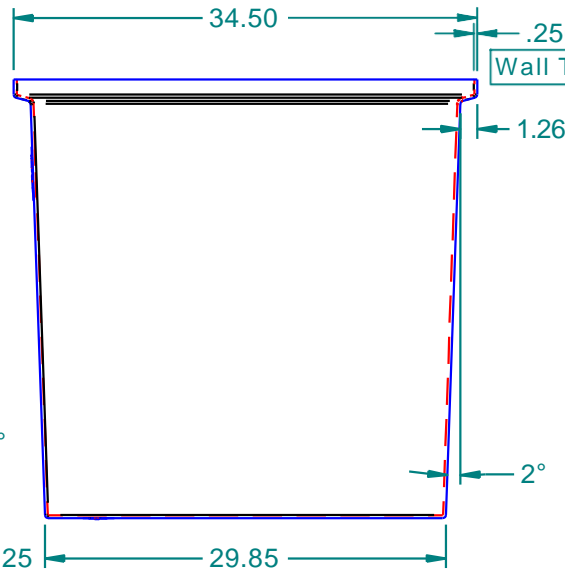


Top View

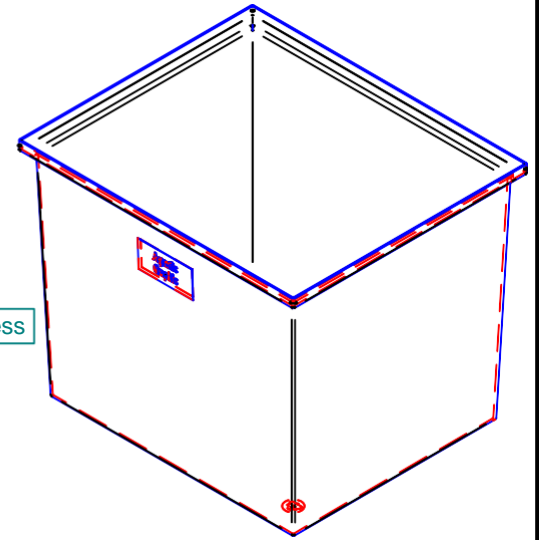


Front View



Side View

.250  
Wall Thickness



ISO View

REVISION HISTORY

REV	DESCRIPTION	DATE	APPROVED
01	Enlarged Logo Size From 3"x 6" to 4"x 8" And Changed Location to 5" Down on Side	11/14/03	
02	Added 15degree inward slope to upper lip, recycle logo Released for production	11/25/03 12/29/03	

Tank Capacity: 150 Gallons

	NAME	DATE
DRAWN	mputt	1/22/2004
CHECKED		
ENG APPR		
MGR APPR		

**DURACAST**  
16160 Hwy 27 Lake Wales, FL 33859

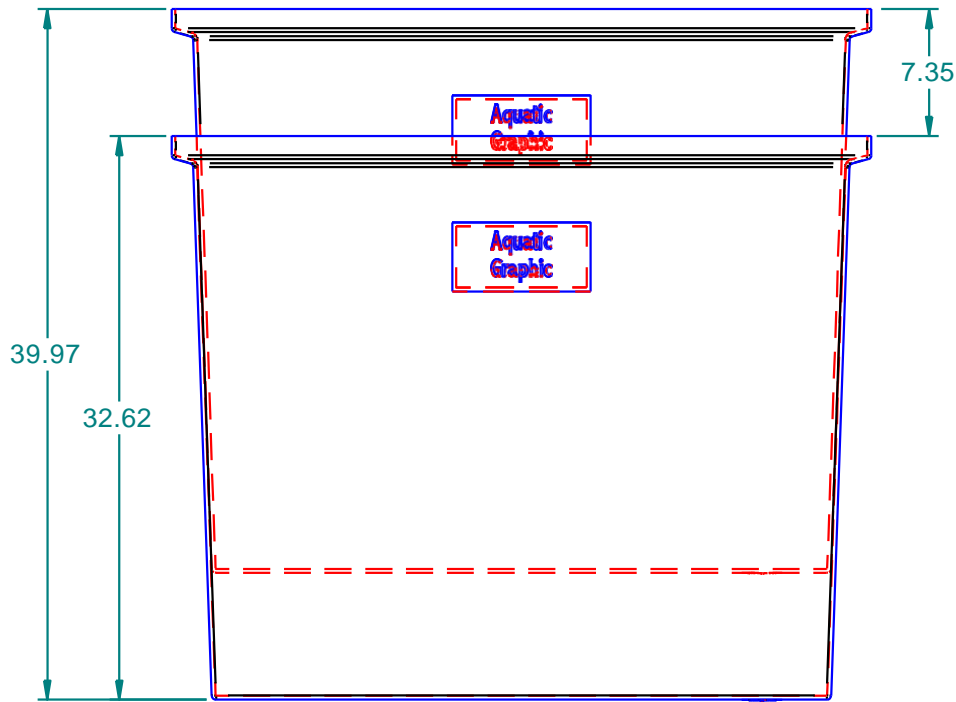
**TITLE** 150 Gallon OTR Tank

<b>SIZE</b> A	<b>MATERIAL</b> HDPE 218 Aquamarine	<b>REV</b> 02
------------------	-------------------------------------	------------------

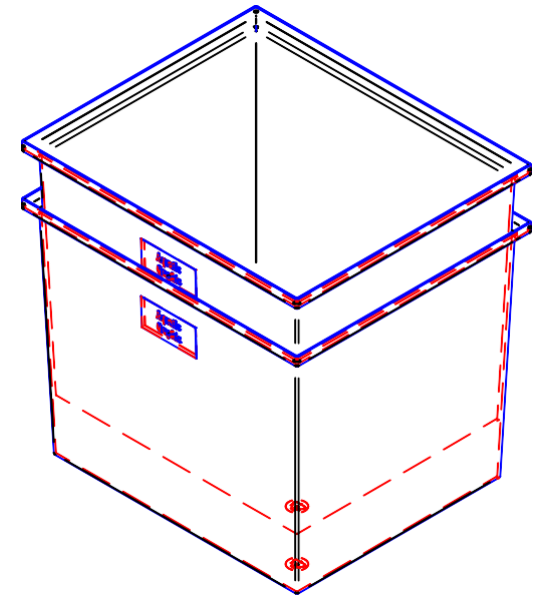
UNLESS OTHERWISE SPECIFIED  
DIMENSIONS ARE IN INCHES  
ANGLES ± 0.5°  
2 PL ± 0.125" 3 PL ± 0.060"

<b>FILE NAME:</b> OTR150.dft		
<b>PART#</b> 502150	<b>WEIGHT</b> 42.622 lbm	<b>SHEET</b> 10F 2

### Side View Nested



REVISION HISTORY			
REV	DESCRIPTION	DATE	APPROVED
01	Enlarged Logo Size From 3"x 6" to 4"x 8" And Changed Location to 5" Down on Side	11/14/03	
02	Added 15 degree inward slope to upper lip, recycle logo Released for production	11/25/03 12/29/03	

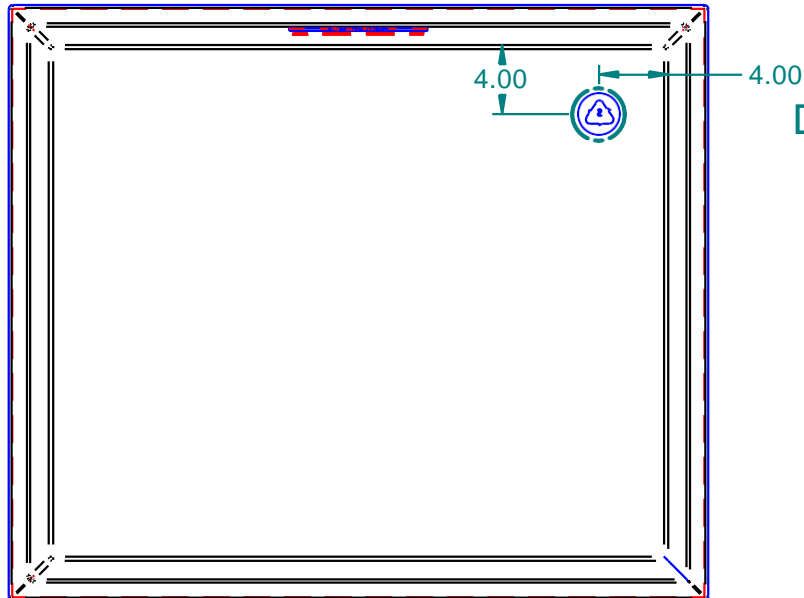


HDPE  
Recycle Logo



DETAIL A

ISO View Nested



Bottom View

Tank Capacity: 150 Gallons

	NAME	DATE
DRAWN	mputt	1/22/2004
CHECKED		
ENGAPPR		
MGRAPPR		

16160 Hwy 27 Lake Wales, FL 33859	
TITLE 150 Gallon OTR Tank	
SIZE A	MATERIAL: HDPE 218 Aquamarine
REV 02	
FILE NAME: OTR150.dft	
PART#: 502150	WEIGHT: 4.622 lbm
SHEET 2 OF 2	

UNLESS OTHERWISE SPECIFIED  
DIMENSIONS ARE IN INCHES  
ANGLES ± 0.5°  
2 PL ± 0.125° 3 PL ± 0.060°