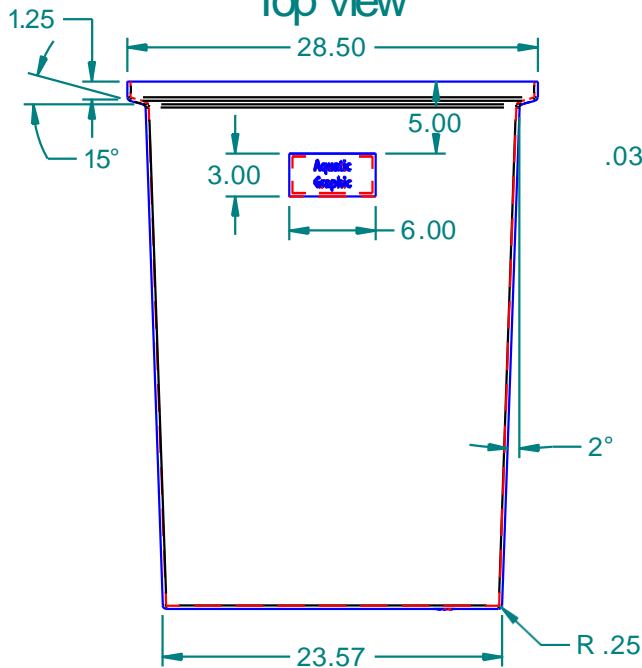
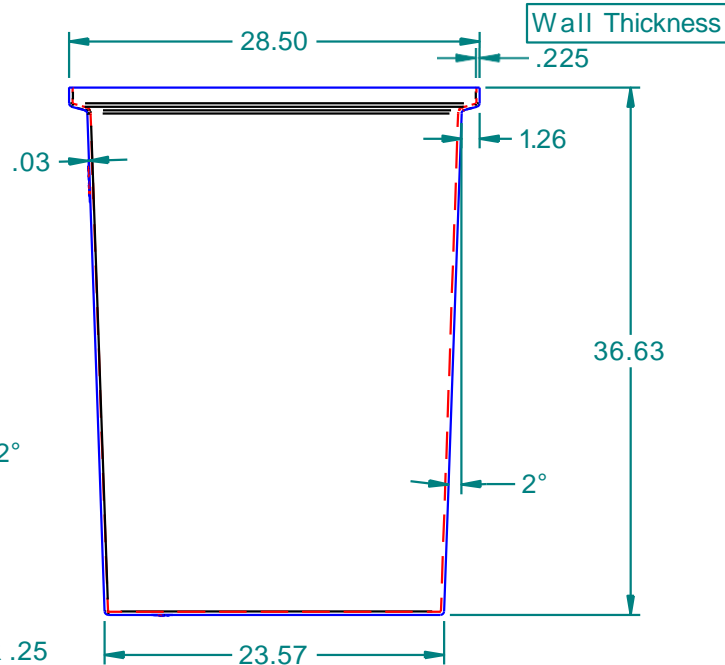


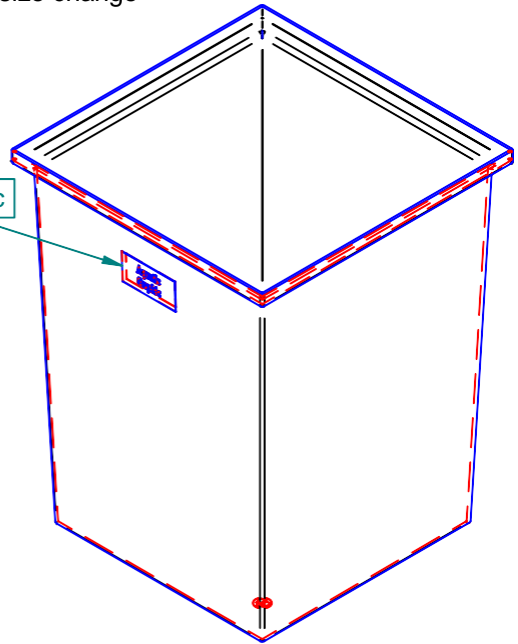
Top View



Front View



Side View



ISO View

REVISION HISTORY			
REV	DESCRIPTION	DATE	APPROVED
01	overall dimensional changes to make working capacity below lip, graphic window size change	2/11/04	

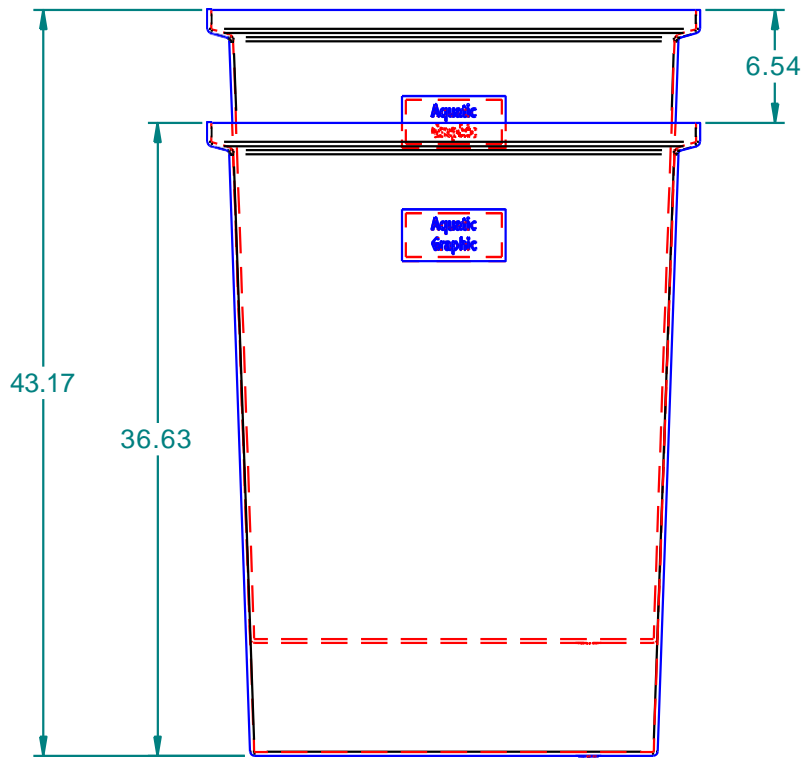
Tank Capacity: 89 Gallons

	NAME	DATE
DRAWN	mputt	1/22/2004
CHECKED		
ENG APPR		
MGR APPR		

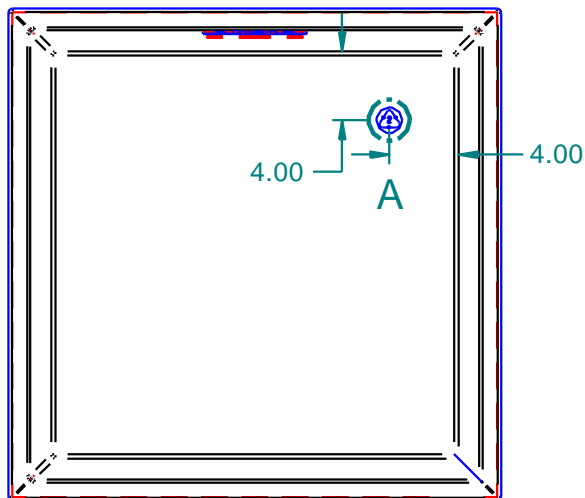
DURACAST
 16160 Hwy 27 Lake Wales, FL 33859
TITLE 89 Gallon OTR Tank
SIZE A **MATERIAL** HDPE 218 Aquamarine **REV** 01

UNLESS OTHERWISE SPECIFIED
 DIMENSIONS ARE IN INCHES
 ANGLES ± 0.5°
 2 PL ± 0.125" 3 PL ± 0.060"

FILE NAME: OTR89.dft		
PART#: 502089	WEIGHT: 2.411 lbm	SHEET 1 OF 2

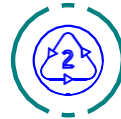


Side View Nested

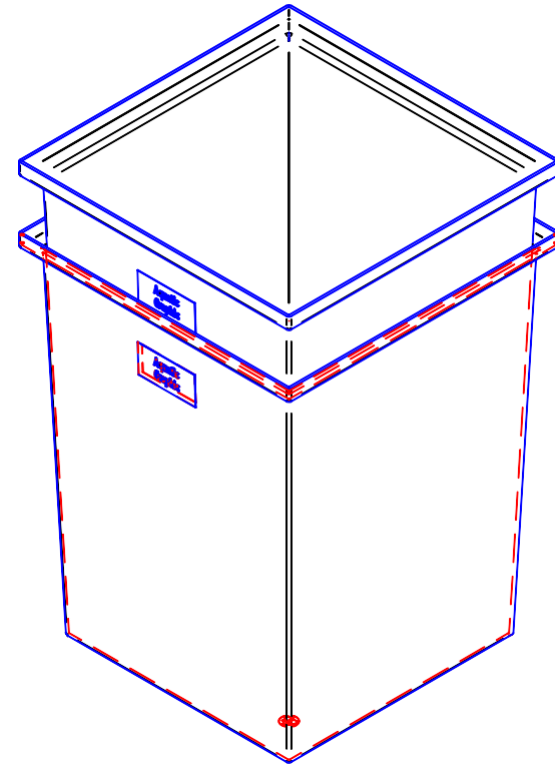


Bottom View

HDPE
Recycle Logo



DETAIL A



ISO View Nested

REVISION HISTORY			
REV	DESCRIPTION	DATE	APPROVED
01	overall dimensional changes to make working capacity below lip, graphic window size change	2/11/04	

Tank Capacity: 89 Gallons			
DRAWN	NAME	DATE	16160 Hwy 27 Lake Wales, FL 33859
CHECKED	mputt	1/22/2004	
ENG APPR			TITLE 89 Gallon OTR Tank
MGR APPR			SIZE A MATERIAL: HDPE 218 Aquamarine REV 01
UNLESS OTHERWISE SPECIFIED DIMENSIONS ARE IN INCHES ANGLES ±0.5° 2 PL ±0.125" 3 PL ±0.060"		FILE NAME: OTR89.dft	
PART#: 502089		WEIGHT: 2.411 lbm	SHEET 2 OF 2