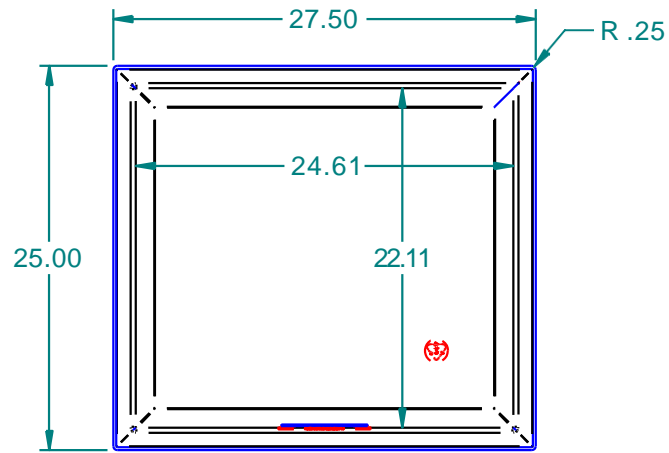
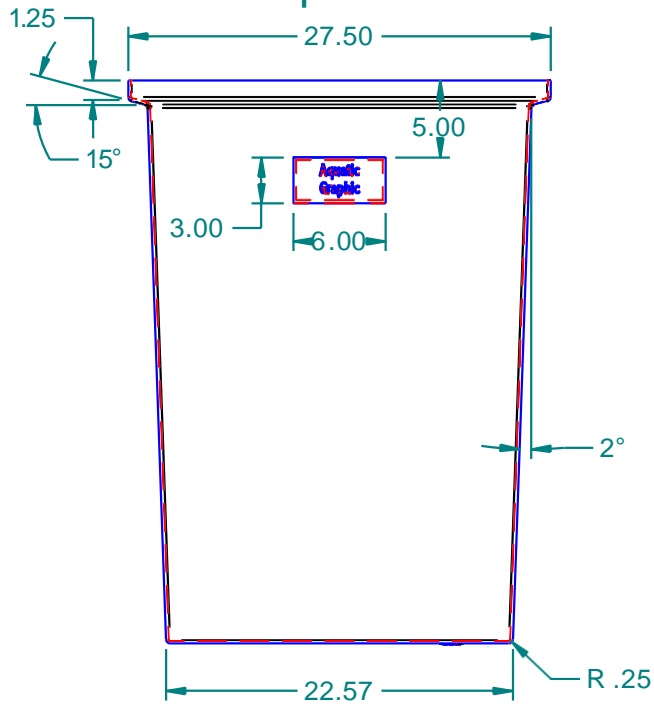


REVISION HISTORY

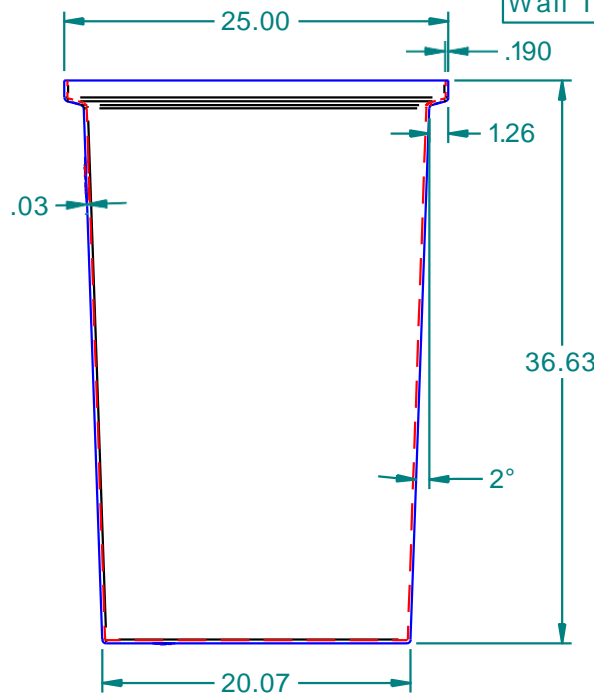
REV	DESCRIPTION	DATE	APPROVED
01	overall dimensional changes to make working capacity below lip, graphic window size change	2/11/04	



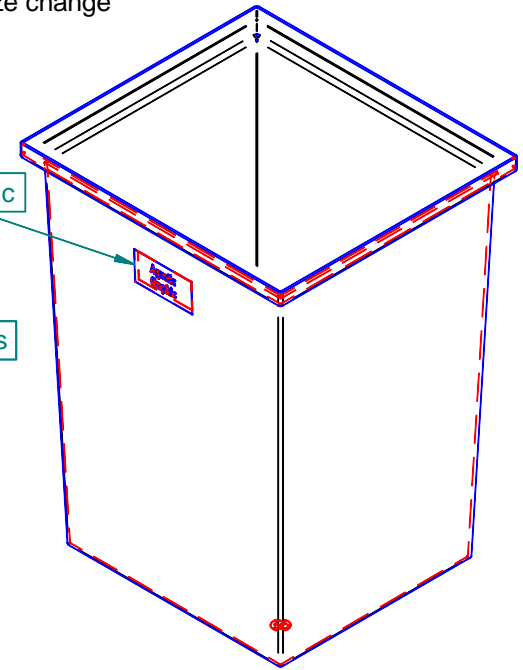
Top View



Front View



Side View



ISO View

Tank Capacity: 74 Gallons

	NAME	DATE
DRAWN	mputt	1/22/2004
CHECKED		
ENGAPPR		
MGRAPPR		

**DURACAST**  
 16160 Hwy 27 Lake Wales, FL 33859

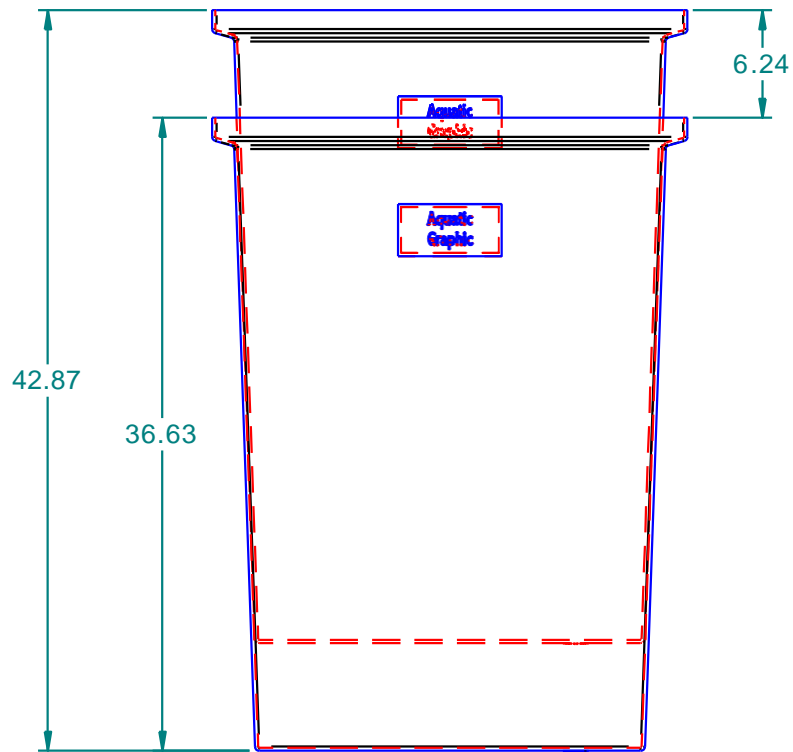
**TITLE** 74 Gallon OTR Tank

**SIZE** A **MATERIAL** HDPE 218 Aquamarine **REV** 01

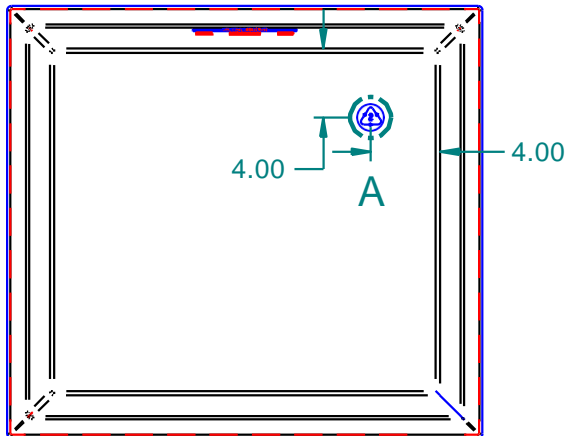
**FILE NAME:** OTR74.dft

**PART#:** 502074 **WEIGHT:** 4.587 lbm **SHEET 1 OF 2**

UNLESS OTHERWISE SPECIFIED  
 DIMENSIONS ARE IN INCHES  
 ANGLES ±0.5°  
 2 PL ±0.125 3 PL ±0.060"



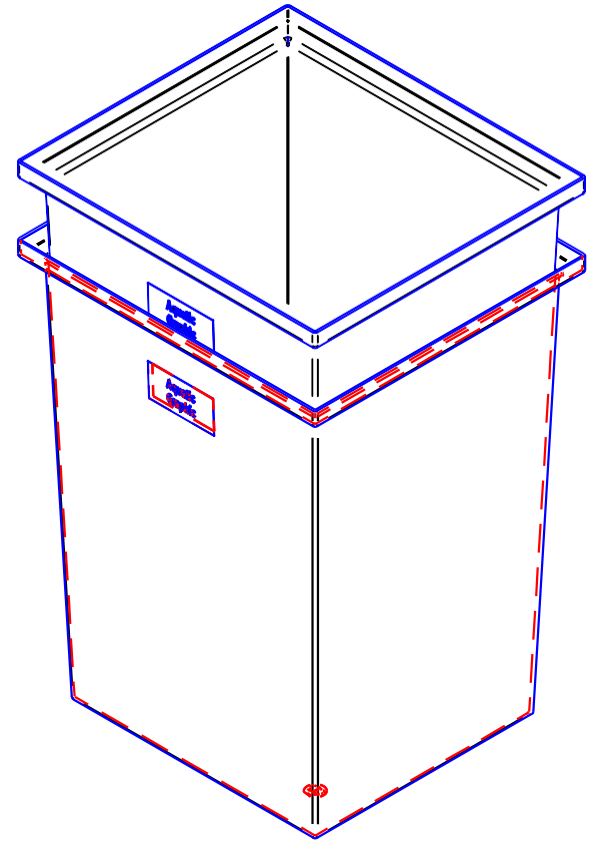
Side View Nested



Bottom View



DETAIL A



ISO View Nested

REVISION HISTORY			
REV	DESCRIPTION	DATE	APPROVED
01	overall dimensional changes to make working capacity below lip, graphic window size change	2/11/04	

Tank Capacity: 74 Gallons					
DRAWN	NAME	DATE			16160 Hwy 27 Lake Wales, FL 33859
CHECKED			TITLE 74 Gallon OTR Tank		
ENG APPR			SIZE A	MATERIAL: HDPE 218 Aquamarine	REV 01
MGR APPR			FILE NAME: OTR74.dft		
UNLESS OTHERWISE SPECIFIED DIMENSIONS ARE IN INCHES ANGLES ±0.5° 2 PL ±0.125 3 PL ±0.060"			PART#: 502074	WEIGHT: 4.587 lbm	SHEET 2 OF 2