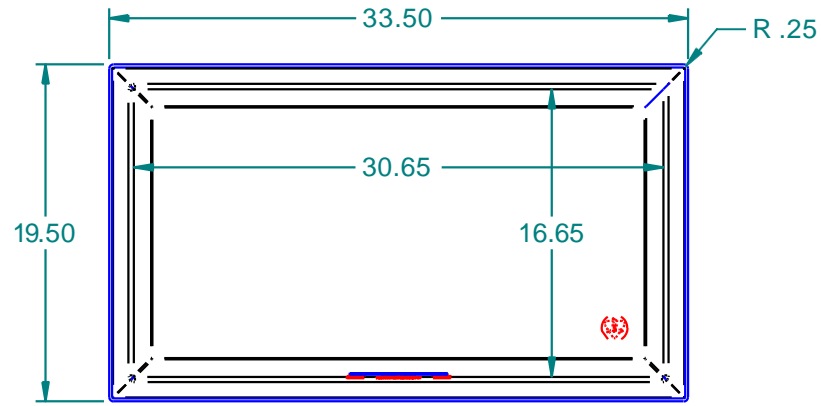
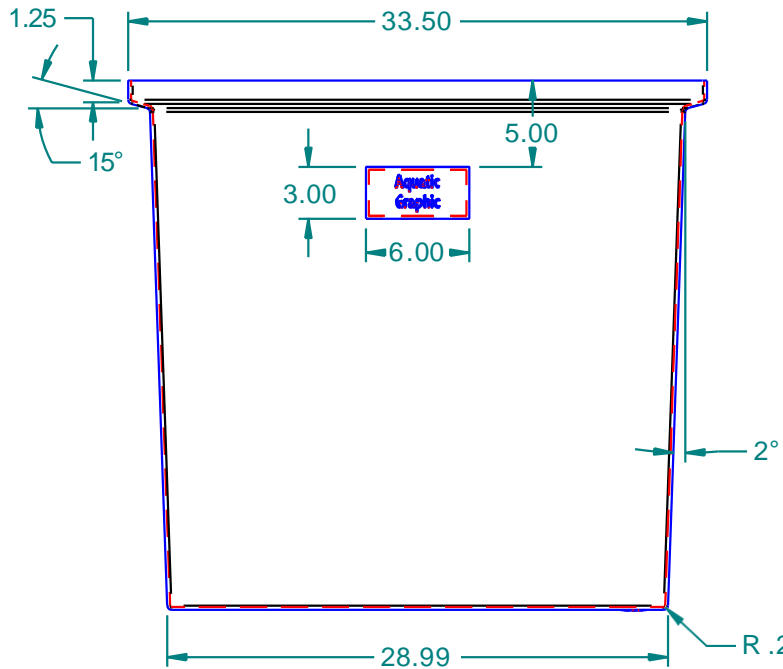


REVISION HISTORY

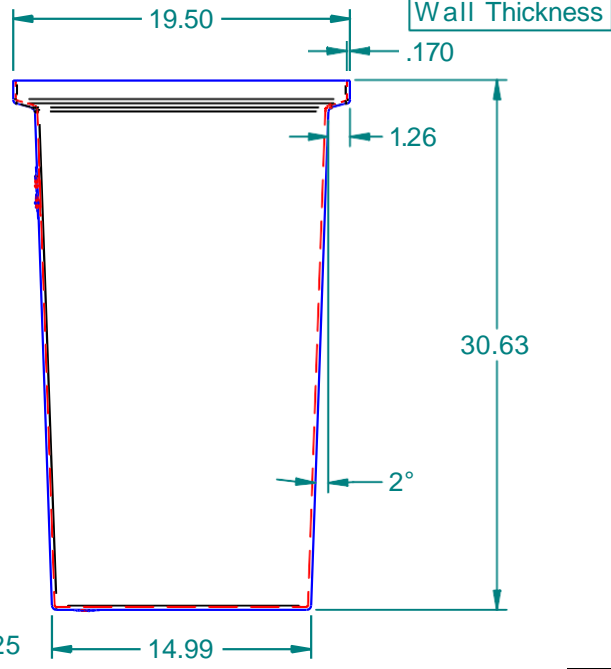
REV	DESCRIPTION	DATE	APPROVED
01	overall dimensional changes to make working capacity below lip, graphic window size change	2/11/04	



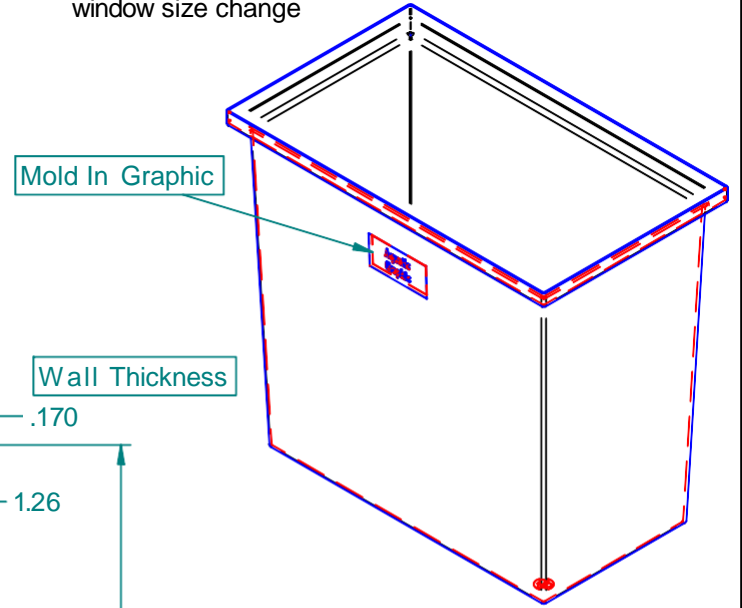
Top View



Front View



Side View



ISO View

Tank Capacity: 58 Gallons

	NAME	DATE
DRAWN	mputt	1/22/2004
CHECKED		
ENG APPR		
MGR APPR		

DURACAST
101001 Hwy 21, Lane Vt, Va, 23060-59

TITLE 58 Gallon OTR Tank

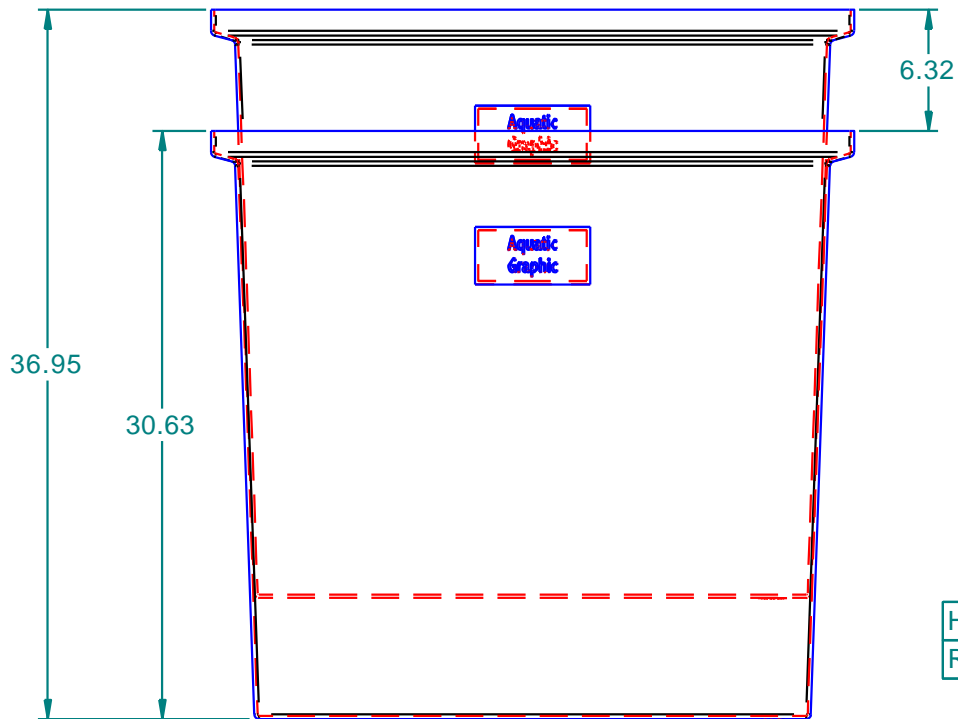
SIZE A	MATERIAL HDPE 218 Aquamarine	REV 01
------------------	-------------------------------------	------------------

UNLESS OTHERWISE SPECIFIED
DIMENSIONS ARE IN INCHES
ANGLES ±0.5°
2 PL ±0.125 3 PL ±0.060"

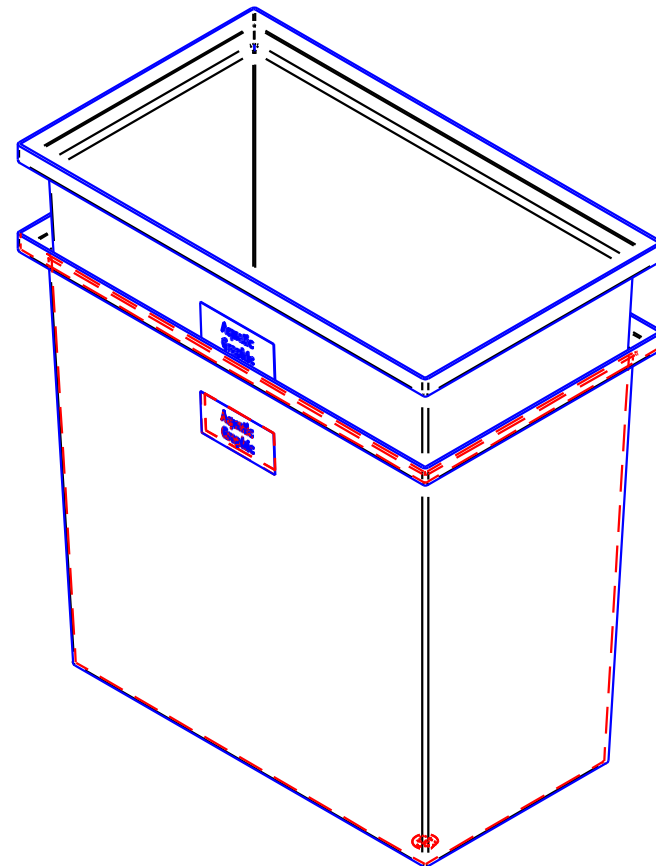
FILE NAME: OTR58.dft		
PART# 502058	WEIGHT 9.138 lbm	SHEET 1 OF 2

REVISION HISTORY

REV	DESCRIPTION	DATE	APPROVED
01	overall dimensional changes to make working capacity below lip, graphic window size change	2/11/04	



Side View Nested

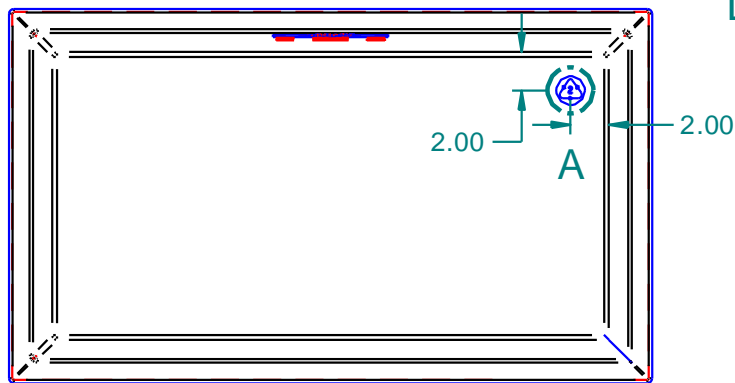


ISO View Nested

HDPE
Recycle Logo



DETAIL A



Bottom View

Tank Capacity: 58 Gallons

	NAME	DATE
DRAWN	mputt	1/22/2004
CHECKED		
ENG APPR		
MGR APPR		



16160 Hwy 27 Lake Wales, FL 33859

TITLE 58 Gallon OTR Tank

SIZE	MATERIAL	REV
A	HDPE 218 Aquamarine	01

FILE NAME: OTR58.dft

UNLESS OTHERWISE SPECIFIED
DIMENSIONS ARE IN INCHES
ANGLES ±0.5°
2 PL ±0.125 3 PL ±0.060"

PART#	WEIGHT	SHEET
502058	9.138 lbm	2 OF 2