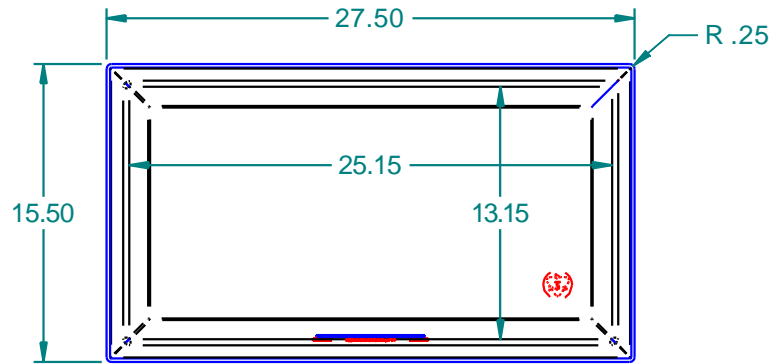
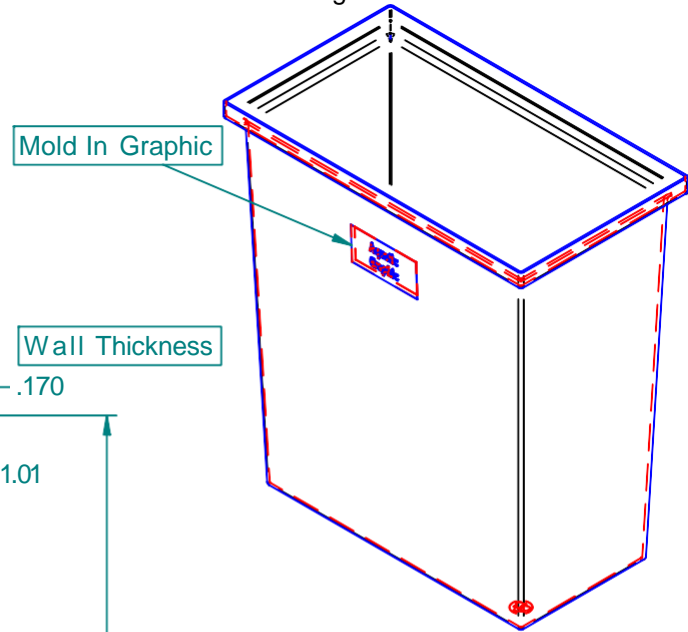


REVISION HISTORY

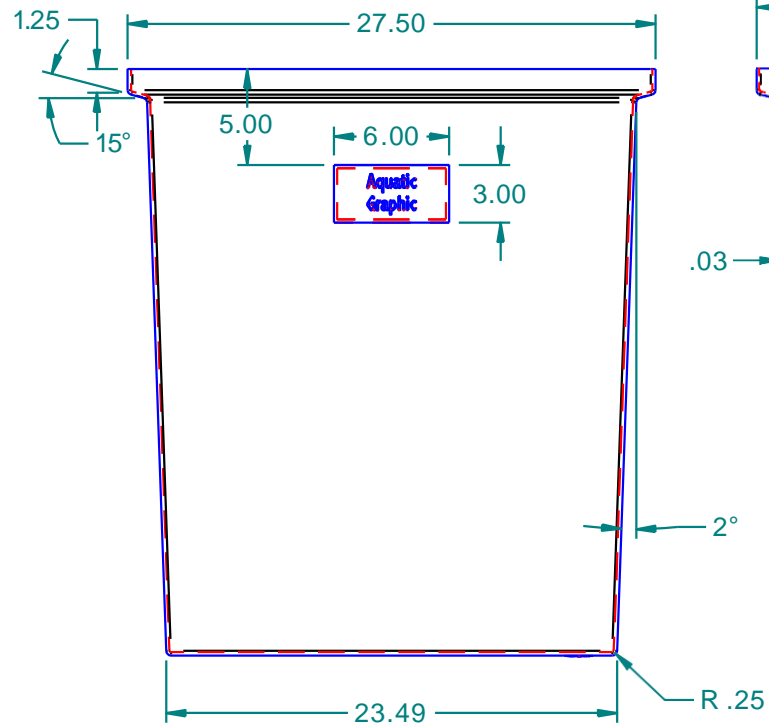
REV	DESCRIPTION	DATE	APPROVED
01	overall dimensional changes to make working capacity below lip, graphic window size change	2/11/04	



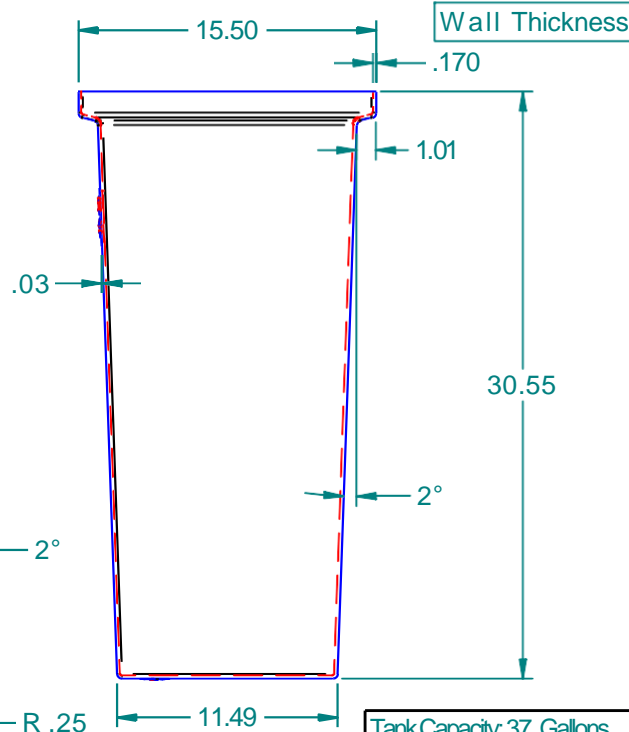
Top View



ISO View



Front View



Side View

Tank Capacity: 37 Gallons

	NAME	DATE
DRAWN	mputt	1/22/2004
CHECKED		
ENG APPR		
MGR APPR		

DURACAST
 16160 Hwy 27 Lake Wales, FL 33859

TITLE 37 Gallon OTR Tank

SIZE A **MATERIAL** HDPE 218 Aquamarine **REV** 01

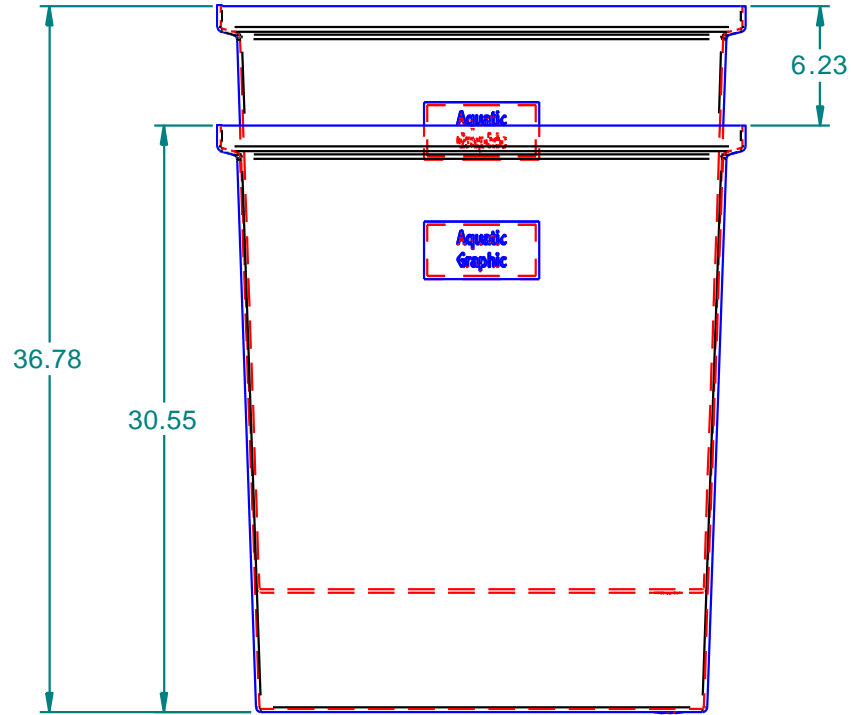
FILE NAME: OTR37.dft

PART#: 502037 **WEIGHT:** 4.789 lbm **SHEET** 1 OF 2

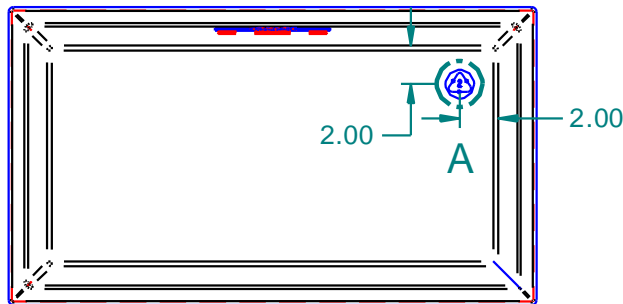
UNLESS OTHERWISE SPECIFIED
 DIMENSIONS ARE IN INCHES
 ANGLES ±0.5°
 2 PL ±0.125" 3 PL ±0.060"

REVISION HISTORY

REV	DESCRIPTION	DATE	APPROVED
01	overall dimensional changes to make working capacity below lip, graphic window size change	2/11/04	



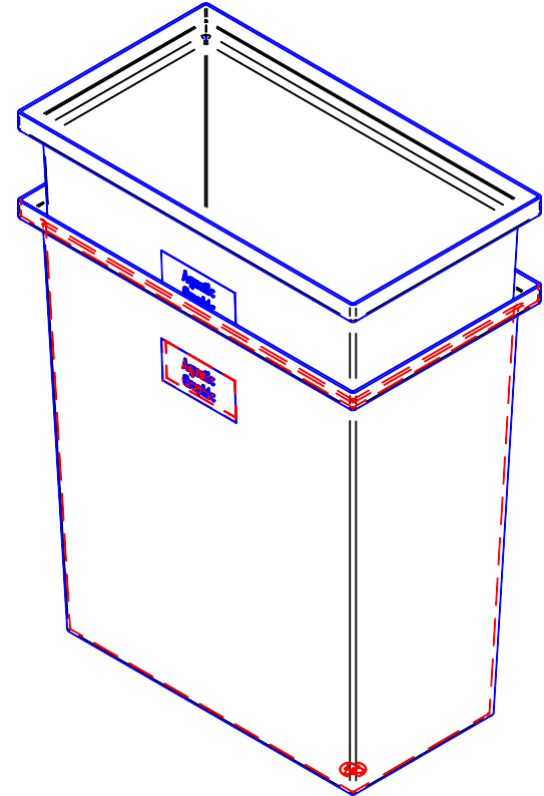
Side View Nested



Bottom View

HDPE
Recycle Logo

DETAIL A



ISO View Nested

DRAWN		NAME		DATE		 16160 Hwy 27 Lake Wales, FL 33859	
CHECKED		MGRAPPR		1/22/2004			
TITLE		SIZE		MATERIAL		REV	
37 Gallon OTR Tank		A		HDPE 218 Aquamarine		01	
FILE NAME: OTR37.dft							
PART#		WEIGHT		SHEET		OF	
502037		4.789 lbm		2 OF 2			

Tank Capacity: 37 Gallons

UNLESS OTHERWISE SPECIFIED
DIMENSIONS ARE IN INCHES
ANGLES ±0.5°
2 PL ±0.125" 3 PL ±0.060"