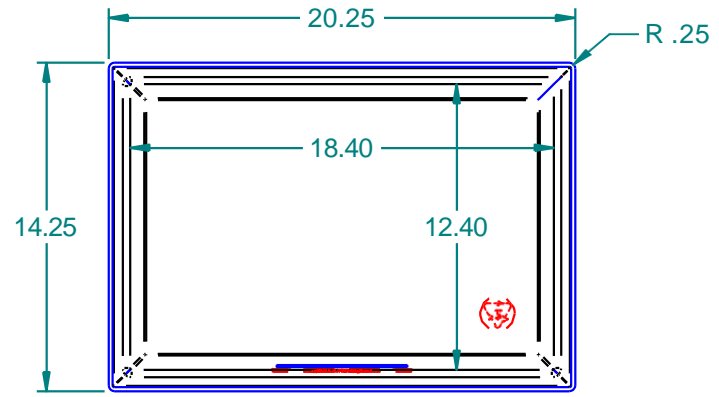
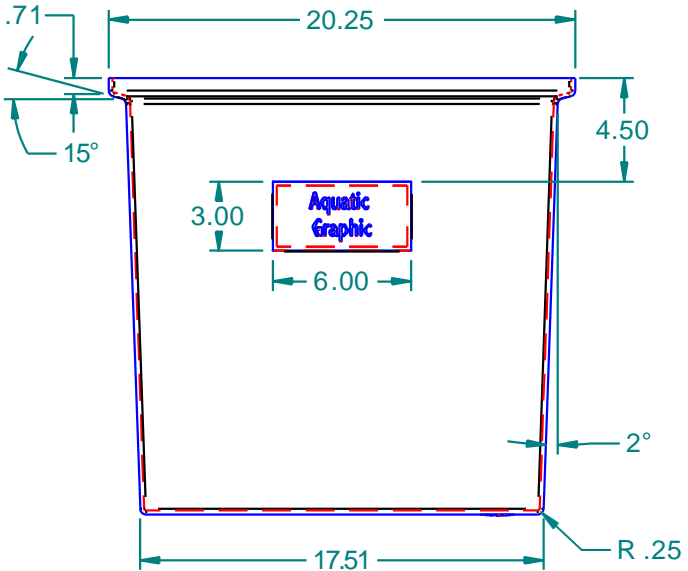


REVISION HISTORY

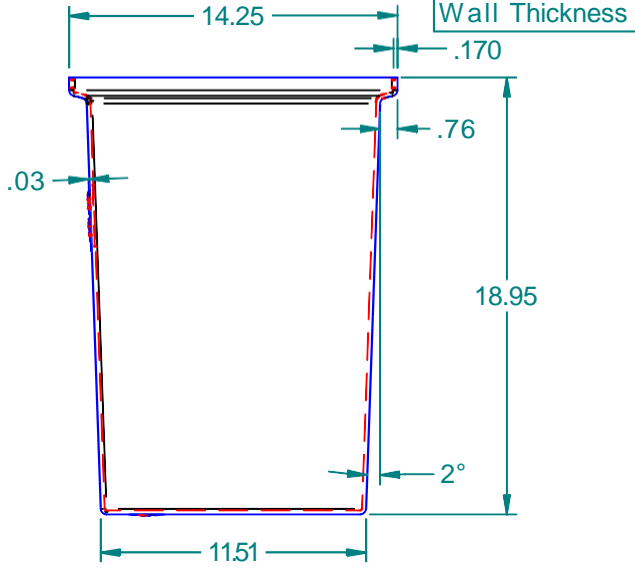
REV	DESCRIPTION	DATE	APPROVED
01	overall dimensional changes to make working capacity below lip, graphic window size change	2/11/04	



Top View

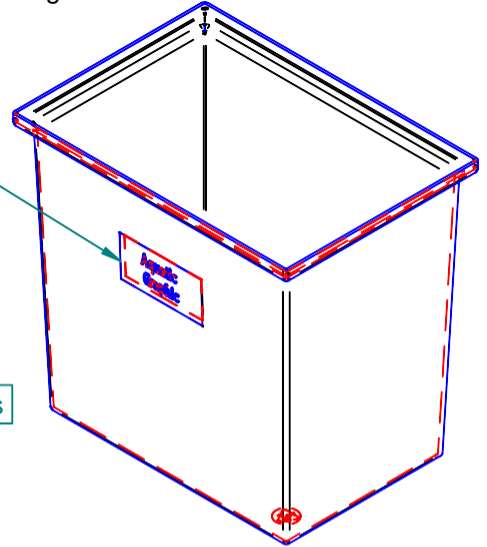


Front View



Side View

Mold In Graphic



ISO View

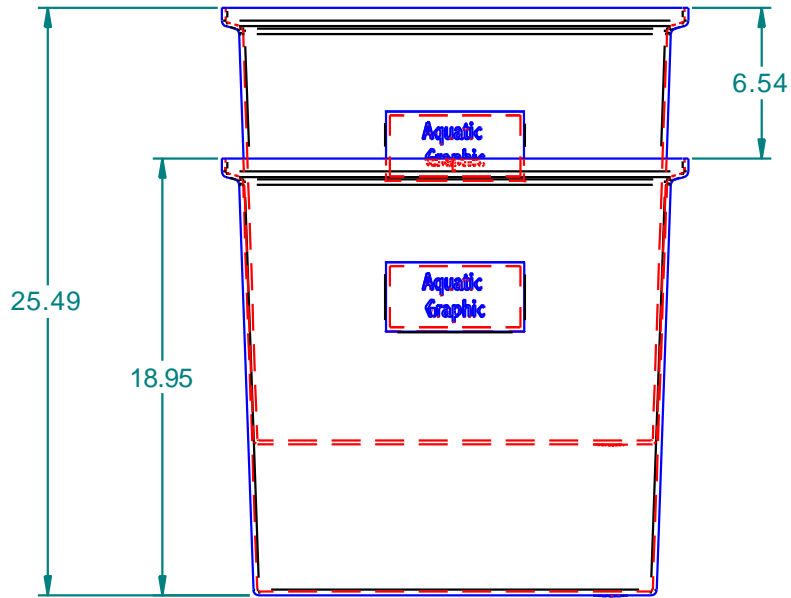
Wall Thickness

Tank Capacity: 16 Gallons			
DRAW: mputt 1/22/2004		16160 Hwy 27 Lake Wales, FL 33859	
CHECKED:		TITLE: 16 Gallon OTR Tank	
ENG APPR:		SIZE: A	MATERIAL: HDPE 218 Aquamarine
MGR APPR:		FILE NAME: OTR16.dft	
UNLESS OTHERWISE SPECIFIED DIMENSIONS ARE IN INCHES ANGLES ± 0.5° 2 PL ± 0.125" 3 PL ± 0.060"		PART#: 502016	WEIGHT: 7.840 lbm
		SHEET 1 OF 2	

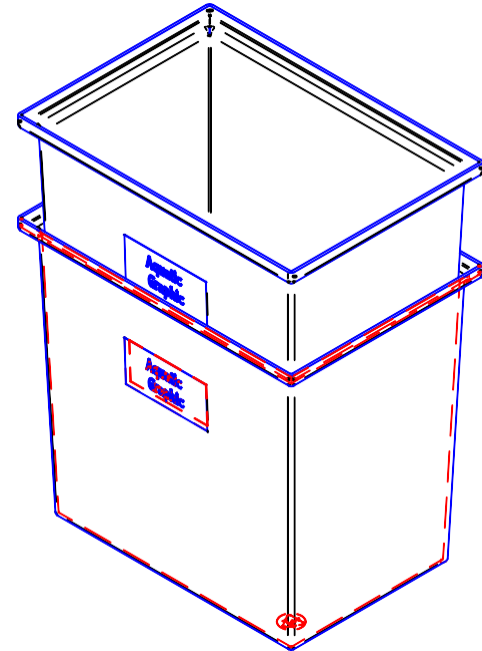
REV 01

REVISION HISTORY

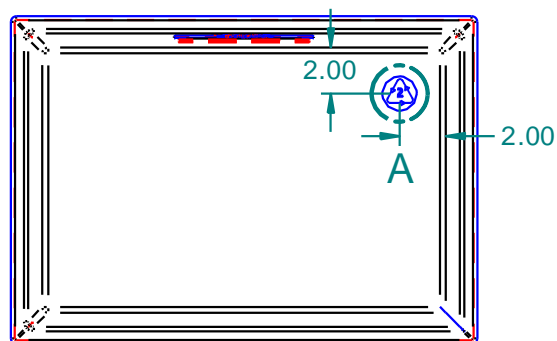
REV	DESCRIPTION	DATE	APPROVED
01	overall dimensional changes to make working capacity below lip, graphic window size change	2/11/04	



Side View Nested



ISO View Nested



Bottom View

HDPE
Recycle Logo



DETAIL A

Tank Capacity: 16 Gallons



	NAME	DATE
DRAWN	mputt	1/22/2004
CHECKED		
ENG APPR		
MGR APPR		

16160 Hwy 27 Lake Wales, FL 33859

TITLE 16 Gallon OTR Tank		REV 01
SIZE A	MATERIAL HDPE 218 Aquamarine	

UNLESS OTHERWISE SPECIFIED
DIMENSIONS ARE IN INCHES
ANGLES ±0.5°
2 PL ±0.125" 3 PL ±0.060"

FILE NAME: OTR16.dft

PART#: 502016	WEIGHT: 7.840 lbm	SHEET 2 OF 2
---------------	-------------------	--------------